

Seeding

# CCX 9000ACC

## Product Information



**NEW**  
FROM KUHN



KUHN offers three CCX 9000 models with a basic mounting frame allowing customers to mount the cover crop seeder to machines of their choosing. When used in combination with a piece of tillage machinery, the CCX 9000ACC allows a cover crop to be established during a cultivation operation without placing additional demand on labor or creating additional passes over the field. When supplied as an accessory, the CCX 9000 is equipped with the same industry leading features as when sold for use on an Excelerator® including the Quantron S-2 in-cab terminal which provides complete monitoring of the seeder, on-the-go seed rate adjustment, calibration assistant and forward speed compensating electric drive metering unit.



### QUANTRON S-2

- Monitors seed level, fan speed and metering unit speed
- Controls metering unit speed and provides on-the-go application rate adjustment
- Simplified calibration
- Automatic off/on switch when machine is lifted out and returned to soil



### METERING UNIT AND BLOWER

- Volumetric metering unit for precise rate control and ease of calibration
- Metering unit with unique dual spline system easily adaptable to all seed types
- Blower fan driven hydraulically from tractor SCV
- Blower speed adjusted to suit seed type by adjusting oil flow from tractor

## ORDERING INFORMATION

### Choose ACC Model

ACC Model	Capacity
CCX 9000-21	21 cu. ft. / 17 bushels / 600 liters
CCX 9000-34	34 cu. ft. / 27 bushels / 963 liters
CCX 9000-45	45 cu. ft. / 36 bushels / 1274 liters



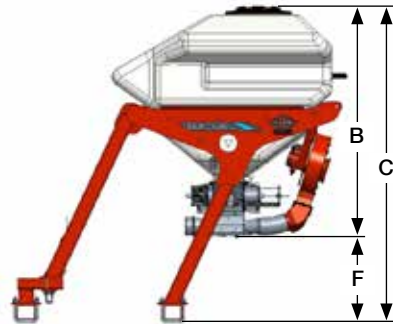
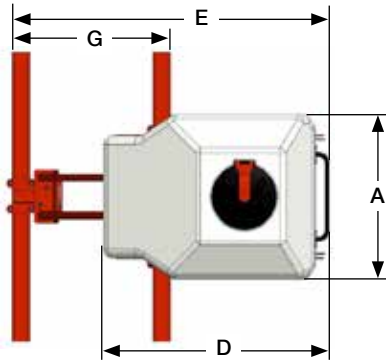
### Choose Width Kit

Feet (Meters)	Diffusers/Hose (ft)
<10' (<3m)	16 / 125'
10' - 15' (3 - 4.6m)	16 / 175'
15' - 20' (4.6 - 6.1m)	20 / 225'
20' - 30' (6.1 - 9.1m)	24 / 400'
30' - 35' (9.1 - 10.7m)	24 / 450'



### Choose Optional Extras

Extras
94" x 5" (239 cm x 12.7 cm) diameter steel pipe
Ladder and platform
Mounting brackets to suit KUHN 24/7® reel systems



### Technical Specifications

	CCX 9000-21	CCX 9000-34	CCX 9000-45
Hopper Capacity	21 cu. ft. / 17 bushels / 600 liters	34 cu. ft. / 27 bushels / 963 liters	45 cu. ft. / 36 bushels / 1274 liters
Max. Hopper Width (A)	3' / 0.92 m	3'10" / 1.1 m	4'8" / 1.4 m
Min. Vertical Height Required* (B)	4'9" / 1.4 m	5'3" / 1.4 m	
Total Vertical Height ** (C)	6'8" / 2 m	7'2" / 2.2 m	7'3" / 2.2 m
Min. Length Required* (D)	4'10" / 1.5 m	5'4" / 1.6 m	
Total Length** (E)	7'5" / 2.3 m	7'7" / 2.3 m	6'10" / 2.1 m
Recommended Clearance Below Meter*** (F)	2'3" / 0.7 m		
Distance Between Mounting Tubes (G)	3'7" / 1.1 m	3'9" / 1.1 m	3'6" / 1.1 m
Empty Weight w/out Adaptation (lb/kg)	987 / 444	1,355 / 615	1,456 / 660
Mounting Tube Dimensions	4" x 5" x 81" / 10.1 x 12.7 x 205.7 cm		
Metering Unit	Volumetric metering unit with electric drive, integrated small seed splines, agitator shaft engaged/disengaged w/o wrenches		
Speed Signal	From tractor (standard) or using tractor wheel speed sensor (option)		
Control Terminal	Quantron S-2 with 5.5" color screen, imperial or metric units, standard rate can be adjusted to ± 99% of target rate on-the-fly		
Automatic Start/Stop, Calibration Assistant and Area Meter	Standard		

\*Not including attachment or options

\*\*Including attachment, not including options

\*\*\*Provided with attachment

For more information about your nearest KUHN Krause dealer and other KUHN Krause products, visit our website [www.kuhn.com](http://www.kuhn.com)



Visit our YouTube channel to watch our latest product videos.



[www.kuhn.com](http://www.kuhn.com)

Your KUHN Krause dealer

## KUHN NORTH AMERICA, INC.

Corporate Headquarters  
1501 West Seventh Avenue - Brodhead, WI 53520

Information given in this document is only for informational purposes and is non-contractual. Our machines are in compliance with North American safety standards. In our literature, and for improved illustration of certain details, some safety devices may not be in operating position. When operating these machines, these devices must be operated in accordance with the requirements indicated in the operator's manuals and assembly manuals. We reserve the right to change any designs, specifications or materials listed without further notice. Machines and equipment in this document can be covered by at least one patent and/or registered design. Trademarks cited in this document may be registered in one or several countries.

Find us on

