

# HD Series

Cold Water - Electric Powered

# KÄRCHER

## Operator's Manual

## Pressure Washer



**MODELS:** HD 2.8/10 ST Ed B  
1.575-300.0

HD 4.2/20 ST Ea B  
1.575-301.0

HD 4.2/20 ST Eb B  
1.575-302.0

HD 4.2/20 ST Ec B  
1.575-303.0

HD 4.2/20 ST Eh B  
1.575-305.0

HD 3.5/30 ST Ea B  
1.575-306.0

HD 3.5/30 ST Eb B  
1.575-307.0

HD 3.5/30 ST Ec B  
1.575-308.0

HD 3.5/30 ST Eg B  
1.575-309.0

HD 3.5/30 ST Eh B  
1.575-310.0

To locate your local Kärcher  
Commercial Pressure Washer  
Dealer nearest you, visit

[www.karchercommercial.com](http://www.karchercommercial.com)



9.800-086.0-V 01/8/20

## **Machine Data Label**

---

Model: \_\_\_\_\_

Date of Purchase: \_\_\_\_\_

Serial Number: \_\_\_\_\_

Dealer: \_\_\_\_\_

Address: \_\_\_\_\_

Phone Number: \_\_\_\_\_

Sales Representative: \_\_\_\_\_

**Machine Data Label** . . . . . 2  
**Table of Contents** . . . . . 3  
**How To Use This Manual** . . . . . 4

**Safety**

Introduction & Safety Information . . . . . 5  
Important Safety Information . . . . . 6

**Operations**

Component Identification . . . . . 8  
Assembly Instructions . . . . . 9  
Operating Instructions . . . . . 10  
Detergents And General Operating Techniques . . . 11  
Shutting Down And Clean-Up . . . . . 12  
Storage . . . . . 13

**Maintenance**

Preventative Maintenance . . . . . 14  
Maintenance Schedule . . . . . 14  
Oil Change Record . . . . . 14  
Troubleshooting . . . . . 15

**Parts**

Karcher HD . . . . . 18  
Hose & Spray Gun . . . . . 24  
Multi-Room Installation . . . . . 25  
Specifications . . . . . 26  
Pump . . . . . 28  
VB8 Unloader Valve . . . . . 30  
KB Series Pump . . . . . 32  
KM.3 Series Pump . . . . . 34  
VRT3 Unloader . . . . . 36

## How To Use This Manual

This manual contains the following sections:

- How to Use This Manual
- Safety
- Operations
- Maintenance
- Parts List

The HOW TO USE THIS MANUAL section will tell you how to find important information for ordering correct repair parts.

Parts may be ordered from authorized dealers. When placing an order for parts, the machine model and machine serial number are important. Refer to the MACHINE DATA box which is filled out during the installation of your machine. The MACHINE DATA box is located on the inside of the front cover of this manual.

Model: _____
Date of Purchase: _____
Serial Number: _____
Dealer: _____
Address: _____
Phone Number: _____
Sales Representative: _____

The model and serial numbers will be found on a decal attached to the pressure washer.

The SAFETY section contains important information regarding hazardous or unsafe practices of the machine. Levels of hazards are identified that could result in product damage, personal injury, or severe injury resulting in death.

The OPERATIONS section is to familiarize the operator with the operation and function of the machine.

The MAINTENANCE section contains preventive maintenance to keep the machine and its components in good working condition. They are listed in this general order:

- Preventative Maintenance
- Oil Changing Record
- Troubleshooting

The PARTS LIST section contains assembled parts illustrations and corresponding parts list. The parts lists include a number of columns of information:

- **REF** – column refers to the reference number on the parts illustration.
- **PART NO.** – column lists the part number for the part.
- **QTY** – column lists the quantity of the part used in that area of the machine.
- **DESCRIPTION** – column is a brief description of the part.
- **NOTES** – column for information not noted by the other columns.

*NOTE: If a service or option kit is installed on your machine, be sure to keep the KIT INSTRUCTIONS which came with the kit. It contains replacement parts numbers needed for ordering future parts.*

*NOTE: The manual part number is located on the lower right corner of the front cover.*

## **Introduction & Safety Information**

Thank you for purchasing this Pressure Washer. We reserve the right to make changes at any time without incurring any obligation.

### **Owner/User Responsibility:**

The owner and/or user must have an understanding of the manufacturer's operating instructions and warnings before using this pressure washer. Warning information should be emphasized and understood. If the operator is not fluent in English, the manufacturer's instructions and warnings shall be read to and discussed with the operator in the operator's native language by the purchaser/owner, making sure that the operator comprehends its contents.

Owner and/or user must study and maintain for future reference the manufacturers' instructions.

The operator must know how to stop the machine quickly and understand the operation of all controls. Never permit anyone to operate the engine without proper instructions.

### **SAVE THESE INSTRUCTIONS**

**This manual should be considered a permanent part of the machine and should remain with it if machine is resold.**

**When ordering parts, please specify model and serial number. Use only identical replacement parts.**

**This machine is to be used only by trained operators.**

## Important Safety Information



**WARNING:** To reduce the risk of injury, read operating instructions carefully before using.

**AVERTISSEMENT:** Pour réduire le risque de blessures, lire attentivement les instructions de fonctionnement avant l'utilisation.

1. Read the owner's manual thoroughly. Failure to follow instructions could cause malfunction of the machine and result in death, serious bodily injury and/or property damage.
2. Know how to stop the machine and bleed pressure quickly. Be thoroughly familiar with the controls.
3. Stay alert — watch what you are doing.
4. All installations must comply with local codes. Contact your electrician, plumber, utility company or the selling dealer for specific details. If your machine is rated 250 volts or less, single phase a ground fault circuit interrupter (GFCI) will be provided. If rated more than 250 volts, or more than single phase this product should only be connected to a power supply protected by a GFCI.

**DANGER:** Improper connection of the equipment-grounding conductor can result in a risk of electrocution. Check with a qualified electrician or service personnel if you are in doubt as to whether the outlet is properly grounded. Do not modify the plug provided with the product - if it will not fit the outlet, have a proper outlet installed by a qualified electrician. Do not use any type of adapter with this product.

**AVERTISSEMENT:** Une mauvaise connexion du conducteur de terre de l'équipement peut entraîner un risque d'électrocution. Vérifier auprès d'un électricien qualifié ou du personnel d'entretien si vous avez des doutes quant à savoir si la sortie est correctement mise à la masse. NE PAS modifier la fiche fournie avec le produit - si elle n'entre pas dans la sortie, faire installer une sortie appropriée par un électricien qualifié. NE JAMAIS utiliser un adaptateur avec ce produit.



**WARNING:** Keep wand, hose, and water spray away from electric wiring or fatal electric shock may result.

**AVERTISSEMENT:** Garder la lance, le boyau et le jet d'eau à l'écart de tout câblage électrique ou des chocs électriques mortels pourraient survenir

5. To protect the operator from electrical shock, the machine must be electrically grounded. It is the responsibility of the owner to connect this machine to a UL grounded receptacle of proper voltage and amperage ratings. Do not spray water on or near electrical components. Do not touch machine with wet hands or while standing in water. Always disconnect power before servicing.

**WARNING:** Flammable liquids can create fumes which can ignite, causing property damage or severe injury.

**AVERTISSEMENT:** Des liquides inflammables peuvent produire des vapeurs qui peuvent s'enflammer, causant ainsi des dommages à la propriété ou des blessures graves.



**WARNING:** Risk of explosion — Do not spray flammable liquids.

**AVERTISSEMENT:** Risque d'explosion - Ne pas pulvériser de liquides inflammables.

6. Do not allow acids, caustic or abrasive fluids to pass through the pump.
7. Never run pump dry or leave spray gun closed longer than 1-2 minutes.
8. Keep operating area clear of all persons.



**WARNING:** High pressure spray can cause paint chips or other particles to become airborne and fly at high speeds. To avoid personal injury, eye, hand and foot safety devices must be worn.

**AVERTISSEMENT:** Un jet haute pression peut écailler la peinture ou provoquer l'émission d'autres particules dans l'air et leur

**projection à hautes vitesses.**

9. Always wear properly rated eye protection such as safety goggles or face shield while spraying. (Safety glasses do not provide full protection.)



**WARNING:** Grip cleaning wand securely with both hands before starting. Failure to do this could result in injury from a whipping wand.

**AVERTISSEMENT:** Agripper la lance de nettoyage avec les deux mains avant de commencer. Le non-respect de cette consigne pourrait mener à des blessures causées par le mouvement violent de la lance.



**WARNING:** High pressure developed by these machines will cause personal injury or equipment damage. Keep clear of nozzle. Use caution when operating. Do not direct discharge stream at people or animals or severe injury or death will result.

**AVERTISSEMENT:** La haute pression générée par la laveuse à pression raccordée au NG-3000 causera des lésions corporelles ou des dommages à l'équipement. Se tenir à l'écart de la buse. Faire preuve de prudence lors de l'utilisation. Ne pas décharger directement le jet vers des personnes ou des animaux, car cela risquerait de causer des blessures graves ou même la mort.

10. To reduce the risk of injury, close supervision is necessary when a machine is used near children. Do not allow children to operate the pressure washer. **This machine must be attended during operation.**
11. Never make adjustments on machine while in operation.
12. Be certain all quick coupler fittings are secured before using pressure washer.



**WARNING:** Protect machine from freezing.  
**AVERTISSEMENT:** Protéger la machine contre le gel.

13. To keep machine in best operating conditions, it is important you protect machine from freezing. Failure to protect machine from freezing could

cause malfunction of the machine and result in death, serious bodily injury, and/or property damage. Follow storage instructions specified in this manual.

14. Inlet water must be clean fresh water and no hotter than 185°F.
15. Manufacturer will not be liable for any changes made to our standard machines or any components not purchased from us.
16. The best insurance against an accident is precaution and knowledge of the machine.



**WARNING:** Be extremely careful when using a ladder, scaffolding or any other relatively unstable location. The cleaning area should have adequate slopes and drainage to reduce the possibility of a fall due to slippery surfaces.

**AVERTISSEMENT:** Faire preuve d'une extrême prudence au moment d'utiliser une échelle, des échafaudages ou toute autre surface relativement instable. La zone de nettoyage doit avoir une pente et un drainage adéquats pour réduire la possibilité d'une chute due à une surface glissante.

17. Do not overreach or stand on unstable support. Keep good footing and balance at all times.
18. Do not operate this machine when fatigued or under the influence of alcohol, prescription medications, or drugs.



**WARNING:** Do not spray machine or any people, animals or electrical parts.

**AVERTISSEMENT:** Ne pas vaporiser sur la machine ou les gens, les animaux ou les pièces électriques



**WARNING:** If connection is made to a potable water system, the system shall be protected against back flow.

**AVERTISSEMENT:** Si une connexion est établie avec un réseau d'eau potable, le réseau doit être protégé contre le retour d'eau.

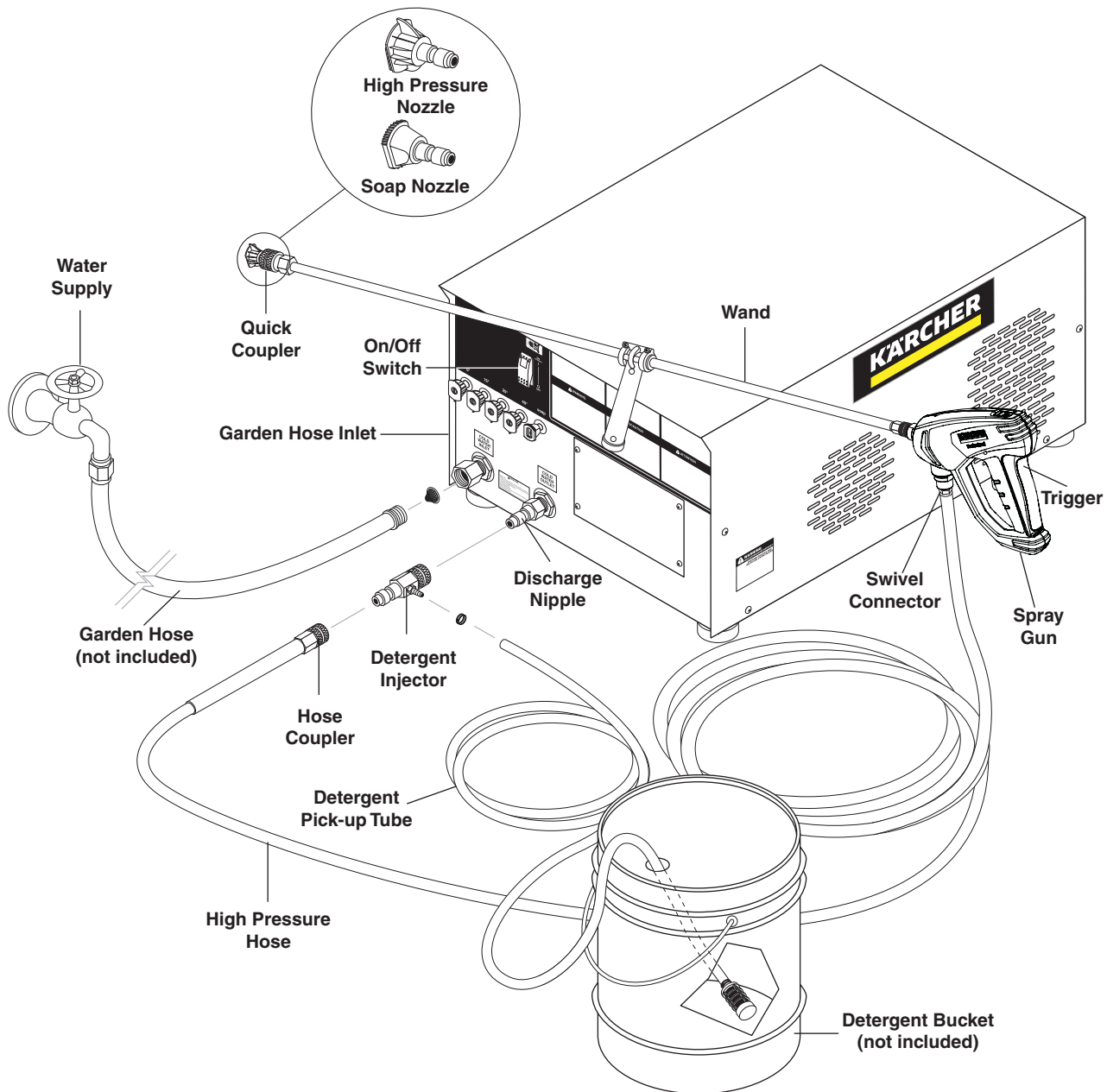


**Follow the maintenance instructions specified in the manual.**

**Suivre les instructions d'entretien spécifiées dans le manuel.**

# Operations

## Component Identification



**Detergent Injector** - Allows you to siphon and mix detergents, when used with soap nozzle.

**High Pressure Hose** — Connect one end to water pump discharge nipple and the other end to spray gun.

**Spray Gun** — Controls the application of water and detergent onto cleaning surface with trigger device. Includes safety latch.

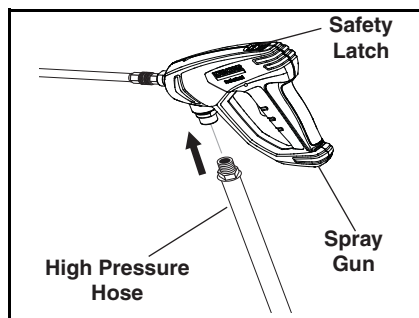
**Wand** — Must be connected to the spray gun.

**Swivel Connector** - Allows free range of movement to avoid coiling hoses.

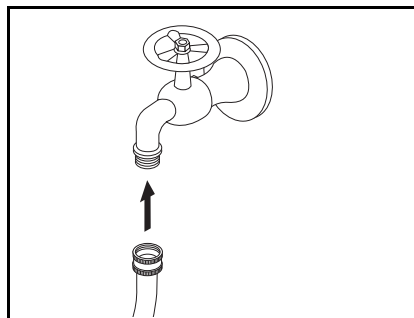
**NOTE:** *If trigger on spray gun is released for more than 2 minutes, water will leak from pump protector valve. Warm water will discharge onto floor and cool water will allow the pump protector to seal. This system prevents internal pump damage.*



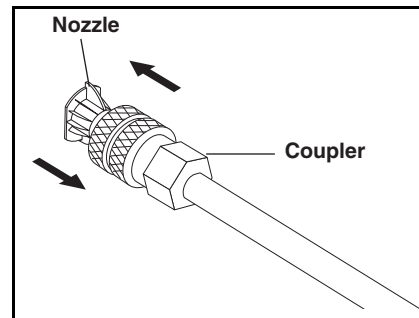
**Assembly Instructions**



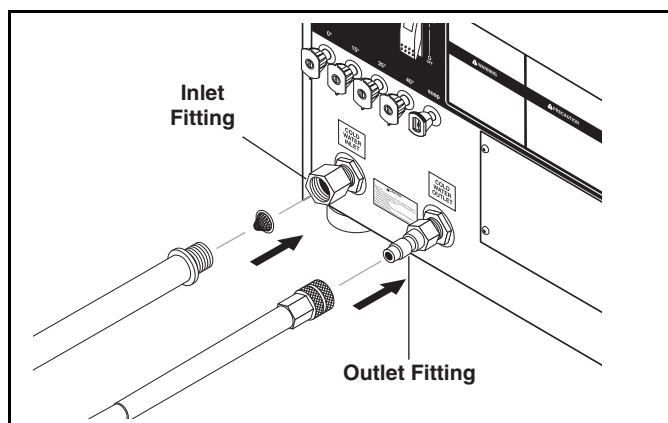
**STEP 1:** Attach the high pressure hose to the spray gun using teflon tape on hose threads. Use safety latch to prevent from opening.



**STEP 2:** Connect garden hose to the cold water source. Before installing nozzle, turn on water supply and run machine, allowing water to flush through the system until clear.



**STEP 3:** Insert nozzle into coupler. Release the coupler collar and push the nozzle until the collar clicks. Pull the nozzle to make sure it is seated properly.

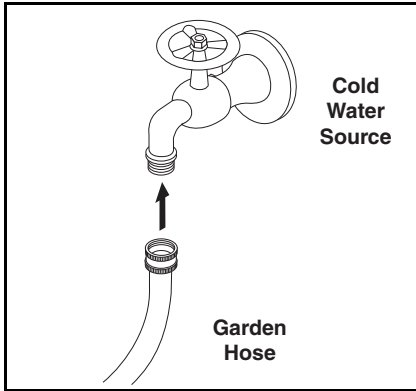


**STEP 4:** Connect the high pressure hose to the outlet discharge fitting. Push coupler collar forward until secure. Connect the garden hose to pump water inlet. Inspect inlets.  
**CAUTION: Do not run the pump without water or pump damage will result.**

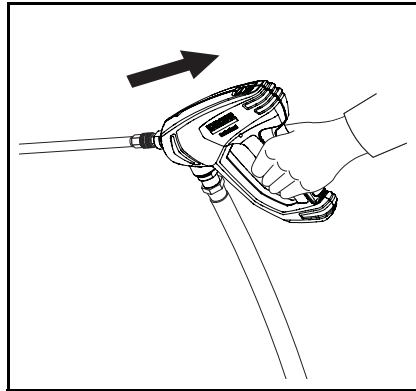
**ATTENTION: Ne coulez pas la pompe sans eau ou des dégâts de pompe se produiront.**

# Operations

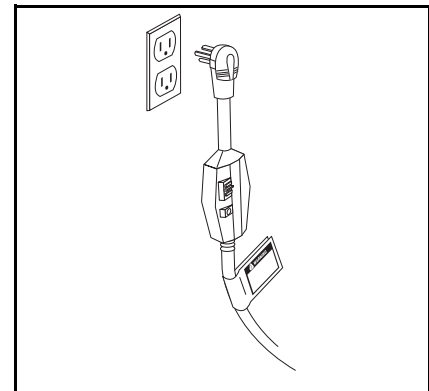
## Operating Instructions



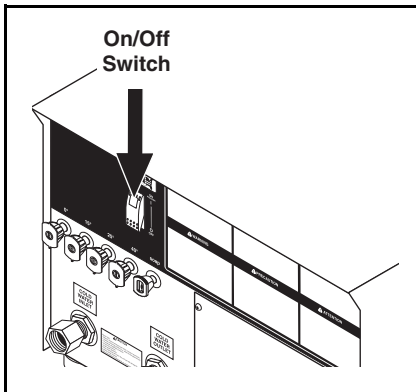
**STEP 1:** Connect garden hose to the cold water source and turn water on completely. Never use hot water.



**STEP 2:** Trigger the spray gun to eliminate trapped air then wait for a steady flow of water to emerge from the spray wand. Then install nozzle.



**STEP 3:** Connect to appropriate power supply. Push GFCI reset button.

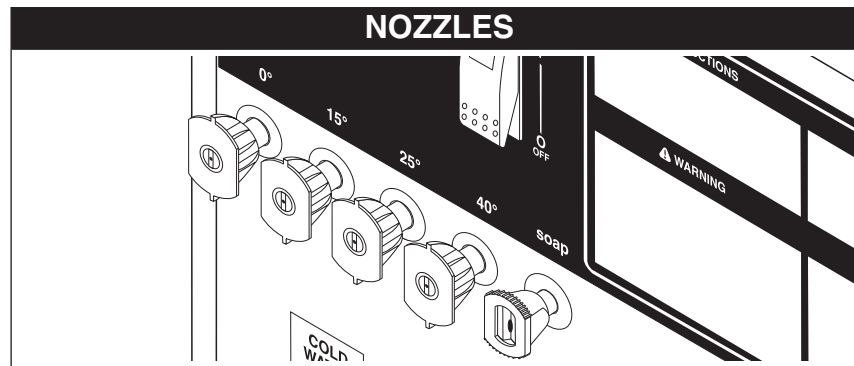


**STEP 4:** Turn machine on by pushing switch at front of machine.



**⚠ WARNING!** Never replace nozzles without engaging the safety latch on the spray gun trigger.

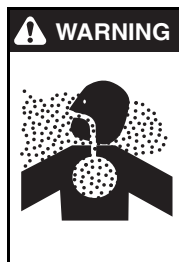
**⚠ AVERTISSEMENT:** Ne jamais remplacer les buses sans d'abord mettre le dispositif de sécurité sur la détente du pistolet pulvérisateur.



The five color-coded quick connect nozzles provide a wide array of spray widths from 0° to 40° and are easily accessible when placed in the convenient rubber nozzle holder, which is provided on the front of the machine.

**NOTE:** For a more gentle rinse, select the white 40° or green 25° nozzle. To scour the surface, select the yellow 15° or red 0° nozzle. To apply detergent select the black nozzle.

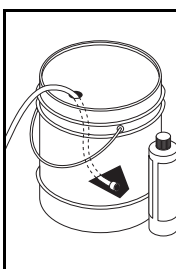
## Detergents And General Operating Techniques



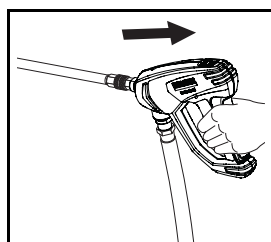
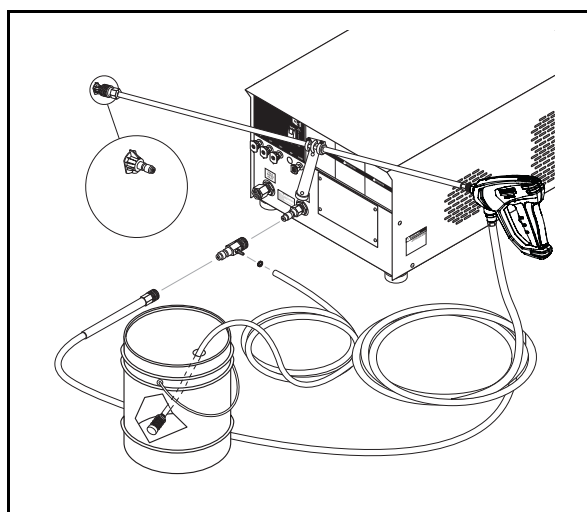
**WARNING:** Some detergents may be harmful if inhaled or ingested, causing severe nausea, fainting or poisoning. The harmful elements may cause property damage or severe injury.

**AVERTISSEMENT:** Certains détergents peuvent être dangereux s'ils sont inhalés ou ingérés,

provoquant de fortes nausées, des évanouissements et l'empoisonnement. Les éléments dangereux peuvent causer des dommages à la propriété ou des blessures graves



**STEP 1:** Use detergent designed specifically for pressure washers. Household detergents could damage the pump. Prepare detergent solution as required by the manufacturer. Fill a container with pressure washer detergent. Place the filter end of detergent suction tube into the detergent container.



**STEP 2:** Apply safety latch to spray gun trigger. Secure black detergent nozzle into quick coupler. **NOTE:** Detergent cannot be applied using the Yellow nozzle.

**STEP 3:** With the motor running, pull trigger to operate machine. Liquid detergent is drawn into the machine and mixed with water. Apply detergent to work area. Do not allow detergent to dry on surface.

**IMPORTANT:** You must flush the detergent injection system after each use by placing the suction tube into a bucket of clean water, then run the pressure washer in low pressure for 1-2 minutes.

### Thermal Pump Protection

If you run your pressure washer for 2 minutes without pressing the trigger on the spray gun, circulating water in the pump can reach high temperatures. When the water reaches this temperature, the pump protector engages and cools the pump by discharging the warm water onto the ground. This thermal device prevents internal damage to the pump.

### Cleaning Tips

Pre-rinse cleaning surface with fresh water. Place detergent suction tube directly into cleaning solution and apply to surface at low pressure (for best results, limit your work area to sections approximately 6' square and always apply detergent from bottom to top). Allow detergent to remain on surface 1-3 minutes. Do not allow detergent to dry on surface. If surface appears to be drying, simply wet down surface with fresh water. If needed, use brush to remove stubborn dirt. Rinse at high pressure from top to bottom in an even sweeping motion keeping the spray nozzle approximately 1' from cleaning surface. Use overlapping strokes as you clean and rinse any surface. For best surface cleaning action spray at a slight angle.

### Recommendations:

- Before cleaning any surface, an inconspicuous area should be cleaned to test spray pattern and distance for maximum cleaning results.
- If painted surfaces are peeling or chipping, use extreme caution as pressure washer may remove the loose paint from the surface.
- Keep the spray nozzle a safe distance from the surface you plan to clean. High pressure wash a small area, then check the surface for damage. If no damage is found, continue to pressure washing.



#### **CAUTION - Never use:**

- Bleach, chlorine or other corrosive chemicals
- Liquids containing solvents (i.e., paint thinner, gasoline, oils)
- Tri-sodium phosphate products
- Ammonia products
- Acid-based products

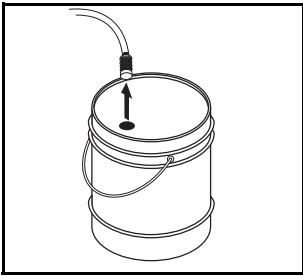
These chemicals will harm the machine and will damage the surface being cleaned.

### Rinsing

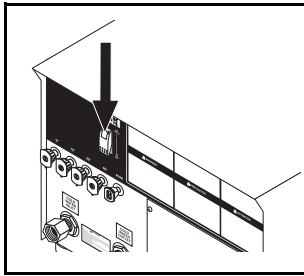
It will take a few seconds for the detergent to clear. Apply safety latch to spray gun. Remove black soap nozzle from the quick coupler. Select and install the desired high pressure nozzle. **NOTE:** You can also stop detergent from flowing by simply removing detergent siphon tube from bottle.

## Operations

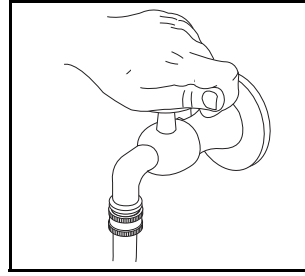
### Shutting Down And Clean-Up



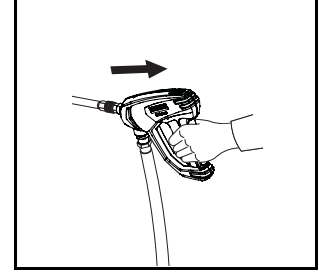
**STEP 1:** Remove detergent suction tube from soap container and insert into one gallon of fresh water. Use black soap nozzle with detergent injector. Pull trigger on spray gun and siphon water for one minute.



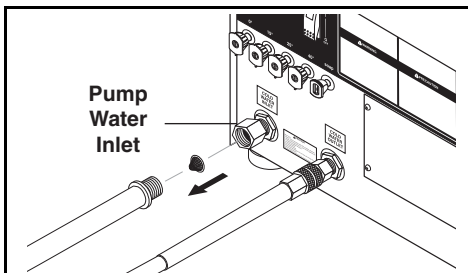
**STEP 2:** Turn off machine by pushing switch on front panel.



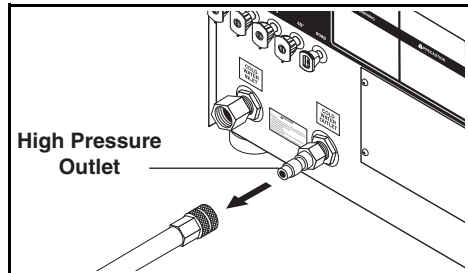
**STEP 3:** Turn off water supply.



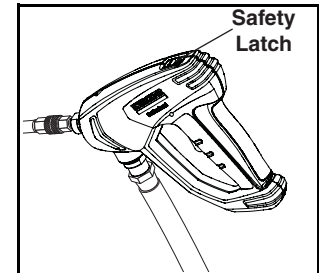
**STEP 4:** Press trigger to release water pressure.



**STEP 5:** Disconnect the garden hose from the water inlet on the machine. Protect from freezing.



**STEP 6:** Disconnect the high pressure hose from high pressure outlet.



**STEP 7:** Engage the spray gun safety lock.

## Storage

### Pump Storage



**CAUTION:** Always store your pressure washer in a location where the temperature will not fall below 32° F (0° C). The pump in this machine is susceptible to permanent damage if frozen.

**ATTENTION:** Toujours entreposer la laveuse à pression dans un endroit où la température ne sera pas inférieure à 0 °C (32 °F). La pompe sur cette machine est susceptible de subir des dommages si elle est exposée au gel.

**FREEZE DAMAGE IS NOT COVERED BY WARRANTY.**

If you must store your pressure washer in a location where the temperature is below 32° F, you can minimize the chance of damage to your machine by draining your machine as follows:

1. Stop the pressure washer and detach supply hose and high pressure hose. Squeeze the trigger of the spray gun to drain all water from the wand and hose.
2. Restart pressure washer and let it run briefly (about 5 seconds) until water no longer discharges from the high pressure outlet.

# Maintenance

## Preventative Maintenance

This pressure washer was produced with the best available materials and quality craftsmanship. However, you as the owner, have certain responsibilities for the correct care of the equipment. Attention to regular preventative maintenance procedure will assist in preserving the performance of your equipment. Contact your dealer for maintenance. Regular preventative maintenance will add many hours to the life of your pressure washer. Perform maintenance more often under severe conditions.

Maintenance Schedule		
<b>Pump Oil</b> SAE 10W-40 non-foaming oil	Inspect	25 Hours or Weekly
	Change	Yearly
<b>Check Valve Clearance</b>		Yearly
<b>Water Filter</b>	Inspect	Every 6 Hours or Daily
	Clean	Yearly

## Oil Change Record

Check pump oil level before first use. Change pump oil after first 50 hours and every month or 500 hours thereafter. Use SAE 10W-40 non-foaming oil.

Date Oil Changed Month/Day/Year	Estimated Operating Hours Since Last Oil Change

Date Oil Changed Month/Day/Year	Estimated Operating Hours Since Last Oil Change

**Troubleshooting**

<b>PROBLEM</b>	<b>POSSIBLE CAUSE</b>	<b>SOLUTION</b>
<b>PUMP RUNNING NORMALLY BUT PRESSURE LOW ON INSTALLATION</b>	Pump sucking air	Check water supply and possibility of air.
	Check valves sticking	Check and clean or replace if necessary.
	Unloader valve seat faulty	Check and replace if necessary.
	Nozzle incorrectly sized	Check and replace if necessary.
	Worn piston packing	Check and replace if necessary.
<b>FLUCTUATING PRESSURE</b>	Valves worn	Check and replace if necessary.
	Blockage in valve	Check and clean if necessary.
	Pump sucking air	Check water supply connections.
	Worn piston packing	Check and replace if necessary.
	Insufficient water	Check filter and hose for breakage.
<b>PRESSURE LOW AFTER PERIOD OF NORMAL USE</b>	Nozzle worn	Check and replace if necessary.
	Suction or delivery valves worn	Check and replace if necessary.
	Suction or delivery valves blocked	Check and clean if necessary.
	Unloader valve seat worn	Check and replace if necessary.
	Unloader adjusted improperly	Call local Karcher dealer. Tampering with the factory setting may cause personal injury and/or property damage and will void the manufacturer's warranty.
	Worn piston packing	Check and replace if necessary.
<b>PUMP NOISY</b>	Bypass valve within unloader is obstructed or leaking	Remove and clean bypass cartridge.
	Air in suction line	Check water supply and connections on suction line.
	Broken or weak suction or delivery valve spring	Check and replace if necessary.
	Foreign matter in valves	Check and clean if necessary.
	Worn bearings	Check and clean if necessary.
<b>PRESENCE OF WATER IN PUMP OIL</b>	Excessive temperature of water	Reduce to below 140°F.
	Oil seal worn	Check and replace if necessary.
	High humidity in air	Check and change oil twice as often.
	Piston packing worn	Check and replace if necessary.
<b>WATER DRIPPING FROM UNDER PUMP</b>	Piston packing worn	Check and replace if necessary.
	O-Ring plunger retainer worn	Check and replace if necessary.
<b>OIL DRIPPING FROM PUMP</b>	Oil seal worn	Check and replace if necessary.
<b>EXCESSIVE VIBRATION IN HIGH PRESSURE HOSE</b>	Irregular functioning of the pump valves	Check and replace if necessary.
	Obstruction in filter	Clean inlet filter.
<b>MOTOR WILL NOT RUN</b>	Motor overload	Push in the overload button located on the motor (single phase) or the overload button on the magnetic start switch (three phase).
	Step down transformer fuses	Check fuses and voltage. Replace if necessary.
	Coil of magnetic starter defective	Replace coil after the timer and unloader switch have been tested.
<b>MACHINE WILL NOT TURN ON WHEN SWITCH IS PUSHED</b>	Timer is defective	Join wires 15 and 16 together on timer. If machine works, replace timer.





# Parts

## KARCHER HD

HD 2.8/10 ST Ed B  
1.575-300.0

HD 4.2/20 ST Ea B  
1.575-301.0

HD 4.2/20 ST Eb B  
1.575-302.0

HD 4.2/20 ST Ec B  
1.575-303.0

HD 4.2/20 ST Eh B  
1.575-305.0

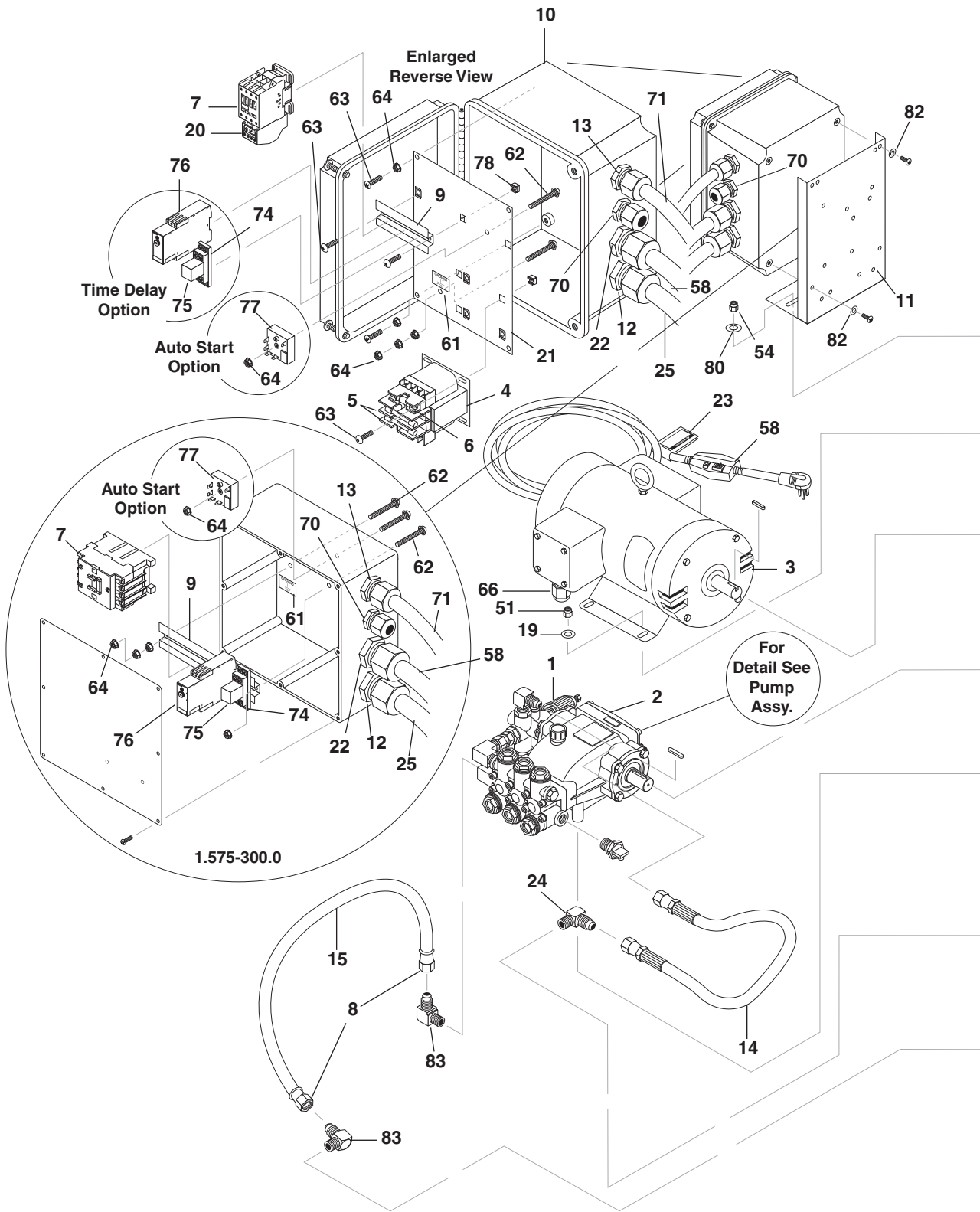
HD 3.5/30 ST Ea B  
1.575-306.0

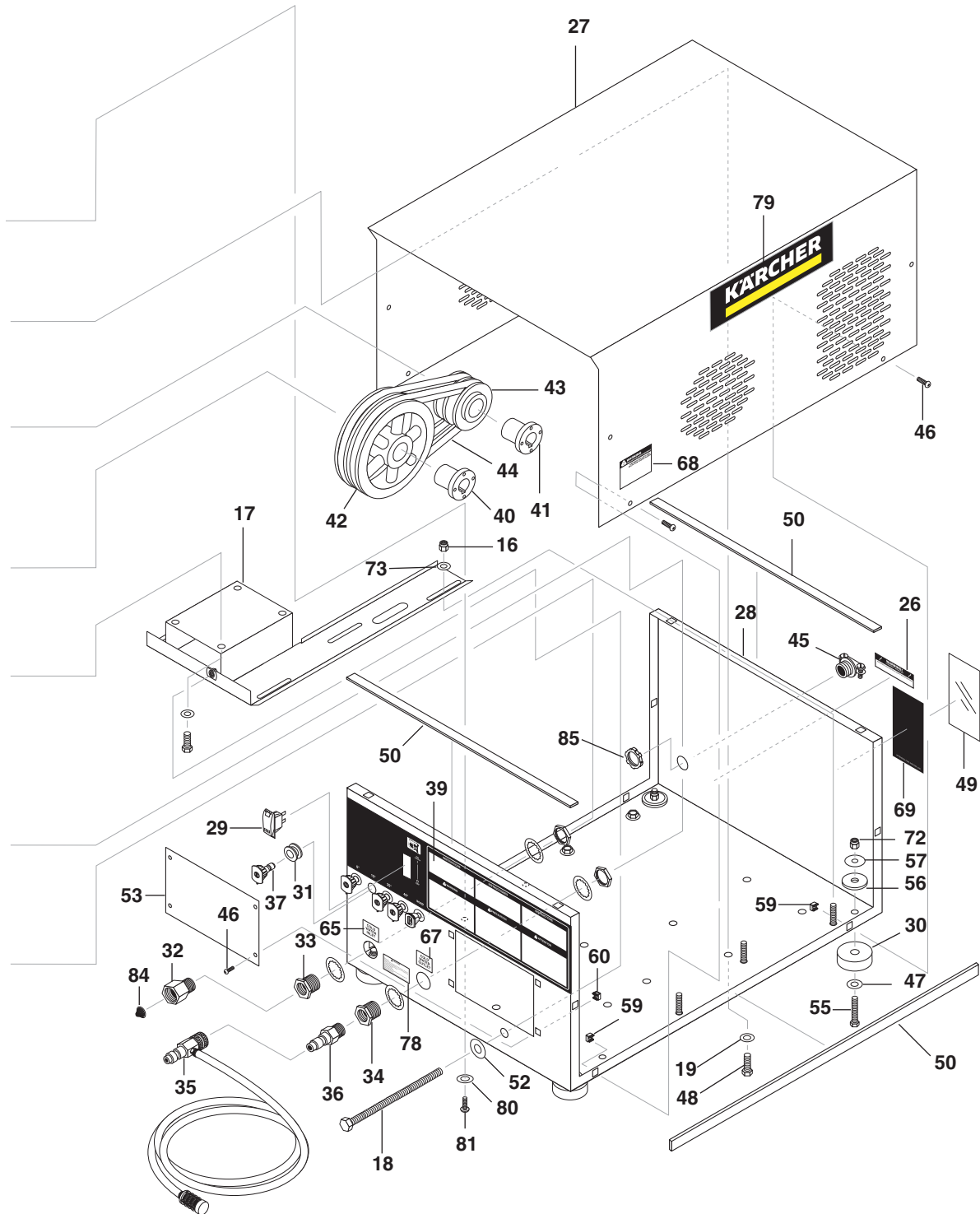
HD 3.5/30 ST Eb B  
1.575-307.0

HD 3.5/30 ST Ec B  
1.575-308.0

HD 3.5/30 ST Eg B  
1.575-309.0

HD 3.5/30 ST Eh B  
1.575-310.0





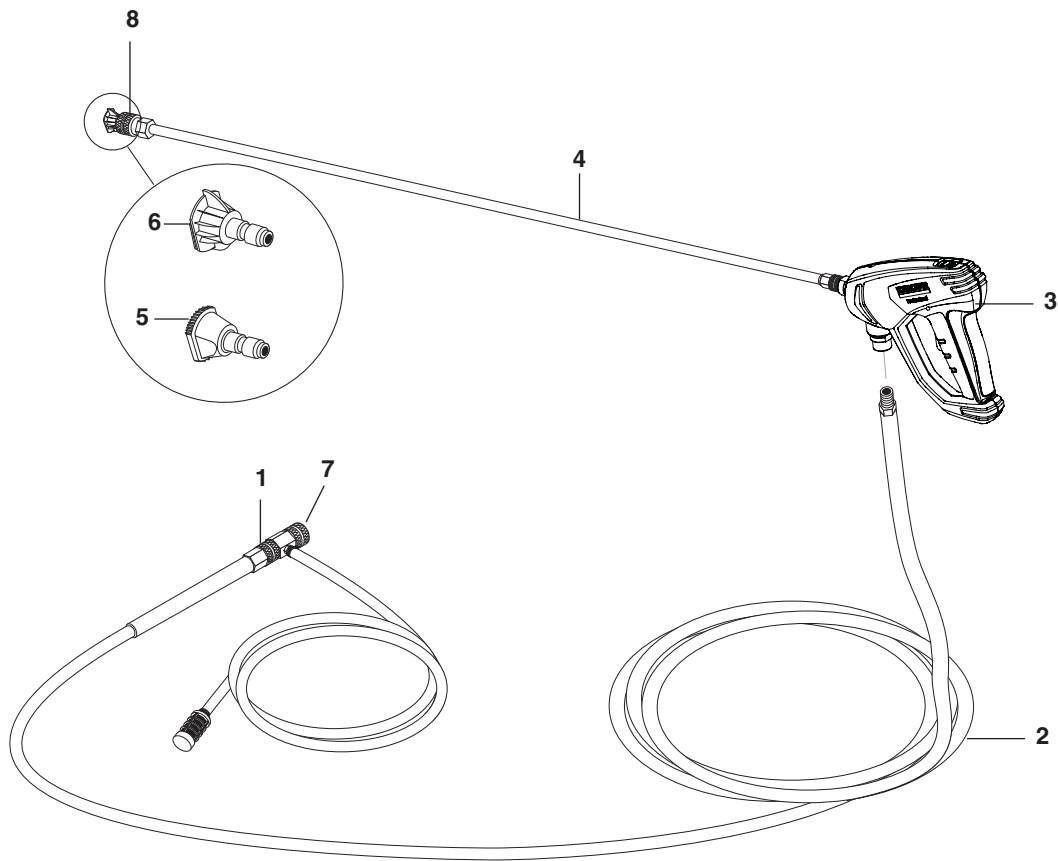
REF	PART NO.	QTY	DESCRIPTION	NOTES
1	-	-	UNLOADER	SEE SPECIFICATIONS PAGES
2	-	-	PUMP	SEE SPECIFICATIONS PAGES
3	-	-	MOTOR	SEE SPECIFICATIONS PAGES
4	9.802-551.0	1	TRANSFORMER	(301.0, 302.0, 303.0, 306.0, 307.0, 308.0)
-	9.804-556.0	1	TRANSFORMER	(304.0, 305.0, 309.0, 310.0)
5	8.933-007.0	2	FUSE, ATMR, 1 AMP, 600V	(306.0, 307.0, 310.0, 301.0, 302.0, 304.0, 305.0 309.0)
-	9.802-462.0	2	FUSE, 1/2 AMP, 600V	(303.0, 308.0)
6	9.802-463.0	1	FUSE, PAPER, BUSS FNM-1/2, 250V MIDGET	(309.0)
7	-	-	CONTACTOR	SEE SPECIFICATIONS PAGES
8	9.802-151.0	2	SWIVEL, 1/2" JIC FEM, PUSH-ON	
9	9.802-457.0	4"	DIN RAIL, 35 MM	
10	9.802-476.0	1	BOX, PLASTIC, 10" X 8" X 6" W/LID	(301.0, 302.0, 303.0, 304.0, 305.0, 306.0, 307.0, 308.0, 309.0, 310.0)
-	9.802-475.0	1	BOX, PLASTIC 8" X 8" X 4"	(300.0)
11	9.803-038.0	1	BRACKET, ELECTRIC BOX SUPPORT	
12	9.802-518.0	1	STRAIN RELIEF, STRT, LQ TITE	
13	9.802-514.0	1	STRAIN RELIEF, LT, Str, 1/2 NPT,.23-.45D	
14	8.918-424.0	1	HOSE, 3/8" X 25", 2 WIRE, PRESSURE LO	
15	9.802-259.0	1 ft.	HOSE, 1/2" PUSH-ON	
16	9.802-776.0	4	NUT, 5/16" ESNA	
17	9.803-100.0	1	SLIDER, PUMP	
18	9.802-738.0	1	BOLT, 1/2" X 8"	
19	8.718-980.0	4	WASHER, 5/16", FLAT, SAE	(300.0)
-	9.802-807.0	4	WASHER, 3/8" SAE, FLAT	(301.0, 302.0, 303.0, 304.0, 305.0, 306.0, 307.0, 308.0, 309.0, 310.0)
20	-	-	OVERLOAD	SEE SPECIFICATIONS PAGES
21	9.803-032.0	1	STANDOFF, ELECTRICAL BOX	(301.0, 302.0, 303.0, 304.0, 305.0, 306.0, 307.0, 308.0, 309.0, 310.0)
22	9.802-518.0	1	STRAIN RELIEF, 3/4" STRT, LQ TITE	
23	8.932-969.0	1	LABEL, WARN SERVICE CORD	
24	8.757-509.0	1	ELBOW, 3/4"-16 SAE X 3/8" NPTF(M), STEEL	
25	9.802-436.0	40"	CORD, SERV, SEO, 10/3 COLEMAN, MOTOR	(301.0, 304.0)
-	8.925-509.0	1	CORD SERVICE, 10/4, MOTOR	(307.0, 310.0)
-	9.802-425.0	40"	CORD, SERVICE, 8/3, MOTOR	(306.0, 309.0)
-	9.802-427.0	40"	CORD, SERV, 12/3, SEOWW, /FT	(300.0)
-	9.802-429.0	40"	CORD SERVICE, 12/4, MOTOR	(302.0, 303.0, 305.0, 308.0)
26	9.800-016.0	1	LABEL, DISCONNECT POWER SUPPLY	
27	9.802-879.0	1	COVER, CABINET, COLD WATER, BLACK	
28	9.802-875.0	1	BASE CABINET, COLD WATER, WRINKLE BLACK	

REF	PART NO.	QTY	DESCRIPTION	NOTES
29	9.802-451.0	1	SWITCH, ROCKER, CARLING W/GREEN LENS	
-	9.802-452.0	1	SWITCH, ROCKER, CARLING RED	(TIME-DELAY SHUTDOWN OPTION)
30	9.802-066.0	4	PAD, SOFT RUBBER, DURO 50	
31	9.802-064.0	5	GROMMET, RUBBER (NOZZLE HOLDER)	
32	8.757-203.0	1	SWIVEL, 1/2" M-NPTF x 3/4" GHF	
33	8.707-000.0	1	CONNECTOR, 1/2" ANCHOR	
34	8.755-033.0	1	BULKHEAD, 3/8" FXF NPT, STEEL	
35	9.802-225.0	1	DOWNSTREAM INJECTOR ASSEMBLY, NON-ADJ.	
36	9.802-171.0	1	NIPPLE, 3/8" X 3/8" NPT ST MALE	
37	8.712-361.0	1	NOZZLE, 0006, RED	(301.0, 302.0, 303.0, 304.0, 305.0)
-	8.712-362.0	1	NOZZLE, 1506, YELLOW	(301.0, 302.0, 303.0, 304.0, 305.0)
-	8.712-363.0	1	NOZZLE, 2506, GREEN	(301.0, 302.0, 303.0, 304.0, 305.0)
-	8.712-364.0	1	NOZZLE, 4006, WHITE	(301.0, 302.0, 303.0, 304.0, 305.0)
-	8.712-345.0	1	NOZZLE, 0004, RED	(306.0, 307.0, 308.0, 309.0, 310.0)
-	8.712-346.0	1	NOZZLE, 1504, YELLOW	(306.0, 307.0, 308.0, 309.0, 310.0)
-	8.712-347.0	1	NOZZLE, 2504, GREEN	(306.0, 307.0, 308.0, 309.0, 310.0)
-	8.712-348.0	1	NOZZLE, 4004, WHITE	(306.0, 307.0, 308.0, 309.0, 310.0)
-	8.712-357.0	1	NOZZLE, 0005.5, RED	(300.0)
-	8.712-358.0	1	NOZZLE, 1505.5, YELLOW	(300.0)
-	8.712-359.0	1	NOZZLE, 2505.5, GREEN	(300.0)
-	8.712-360.0	1	NOZZLE, 4005.5, WHITE	(300.0)
38	9.802-791.0	6	NUT, CAGE, 10/32" X 16 GAUGE	(301.0, 302.0, 303.0, 304.0, 305.0, 306.0, 307.0, 308.0, 309.0, 310.0)
39	9.800-064.0	1	LABEL	
40	-	-	BUSHING	SEE SPECIFICATIONS PAGES
41	-	-	BUSHING	SEE SPECIFICATIONS PAGES
43	-	-	MOTOR PULLEY	SEE SPECIFICATIONS PAGES
42	-	-	PUMP PULLEY	SEE SPECIFICATIONS PAGES
44	-	-	BELT	SEE SPECIFICATIONS PAGES
45	8.758-000.0	1	STRAIN RELIEF CG100-650 1" BROWN	(300.0)
	9.803-279.0	1	STRAIN RELIEF,CG100-750,1" YEL(10-4COR	(301.0, 302.0, 303.0, 305.0, 306.0, 307.0, 308.0, 309.0, 310.0)
46	9.802-765.0	12	SCREW, 1/4" X 1/2", BH SOC CS	
47	9.802-817.0	4	WASHER, 3/8" X 1" STEEL	
-	9.802-776.0	4	NUT, 5/16", ESNA, NC	(300.0)

REF	PART NO.	QTY	DESCRIPTION	NOTES
48	9.802-710.0	4	BOLT, 5/16" X 1 NC	(300.0)
-	9.802-720.0	4	BOLT, 3/8" X 1" NC, HH	(301.0, 302.0, 303.0, 304.0, 305.0, 306.0, 307.0, 308.0, 309.0, 310.0)
49	9.800-034.0	1	LABEL, CLEAR LEXAN, 2-1/4" X 4-1/2"	
50	9.802-073.0	7 ft.	WEATHER STRIPPING	
51	9.802-779.0	4	NUT, 3/8" ESNA, NC	(301.0, 302.0, 303.0, 304.0, 305.0, 306.0, 307.0, 308.0, 309.0, 310.0)
52	9.802-800.0	1	WASHER, 1/2" FLAT	
53	9.803-081.0	1	COVER, ACCESS HOLE	
54	9.802-773.0	2	NUT, 1/4", ESNA NC	
55	9.802-723.0	4	BOLT, 3/8" X 1-1/2", NC HH	
56	9.802-067.0	4	BUMPER PAD, ENGINE	
57	9.802-811.0	4	WASHER, 3/8" X 1-1/2" FENDER	
58	9.802-431.0	1	GFCI, 120V 20A W/36' 12-3 CORD	(300.0)
-	9.802-430.0	1	GFCI, 240V 1PH, 30A, 36' 10-3 CORD	(301.0, 304.0)
-	9.802-434.0	1	GFCI 240V 1PH 40A, 36' 8-3 CORD	(306.0, 309.0)
-	9.802-429.0	10 ft.	CORD, SERV, SEO 12/4	(302.0, 303.0, 305.0, 308.0)
-	8.925-510.0	1	ASSY, POWER CORD, 575V 3PH	(307.0, 310.0)
59	9.802-794.0	8	NUT, CAGE, 1/4" X 12 GAUGE	
60	9.802-074.0	4	NUT, 1/4" SQUARE HEAD GROMMET, NYLON	
61	9.800-040.0	1	LABEL, GROUND	
62	9.802-762.0	2	SCREW, 10/32" X 1-1/4" RH, SL	(301.0, 302.0, 303.0, 304.0, 305.0, 306.0, 307.0, 308.0, 309.0, 310.0)
-	-	1	-	(300.0)
63	9.802-759.0	11	SCREW, 10/32" X 1/2" BHSOC	(303.0, 304.0, 305.0, 306.0, 307.0, 308.0)
64	9.802-695.0	4	NUT, 10/32" KEPS	(300.0)
-	-	10	NUT, 10/32" KEPS	(301.0, 302.0, 304.0, 305.0, 306.0, 307.0, 308.0, 309.0, 310.0)
65	9.800-020.0	1	LABEL, COLD WATER INLET, HS	
66	8.758-001.0	1	STRAIN RELIEF CG75-650 3/4" BROWN	(300.0)
-	8.758-002.0	1	STRAIN RELIEF CG75-750 3/4" YELLOW	(301.0, 302.0, 303.0, 305.0)
-	9.802-523.0	1	LOCKNUT, 3/4" CONDUIT	NOT SHOWN (300.0, 302.0, 303.0, 305.0,)
-	9.803-279.0	1	STRAIN RELIEF, CG100-750, 1" YEL (10-4COR)	(306.0, 307.0, 308.0, 309.0, 310.0)
-	9.803-280.0	1	LOCKNUT, 1" CONDUIT	NOT SHOWN (306.0, 307.0, 308.0, 309.0, 310.0)

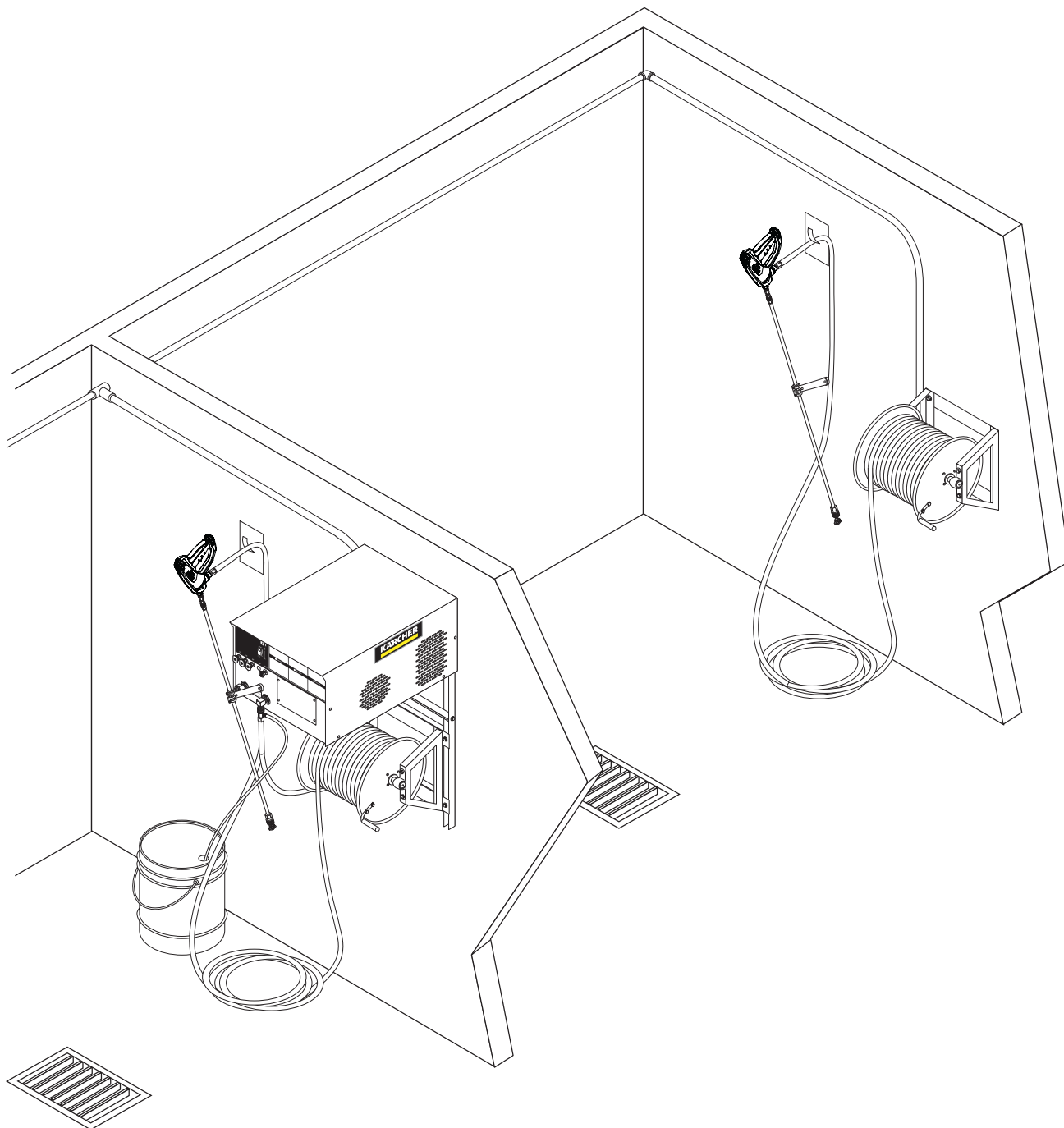
REF	PART NO.	QTY	DESCRIPTION	NOTES
67	8.932-970.0	1	LABEL, COLD WATER OUTLET	
68	9.800-007.0	1	LABEL, WARNING, EXPOSED PULLEYS	
69	9.800-013.0	1	LABEL, INTENDED FOR INDOOR USE	
70	9.802-514.0	1	STRAIN RELIEF, SMALL, LQ TITE	(TIME DELAY/AUTO-START OPTION)
71	9.802-423.0	2.5 ft.	CORD, SERVICE, SEO, 16/3	
-	9.802-424.0	2.5 ft.	CORD, SERVICE, SEO 16/4	(TIME DELAY SHUTDOWN OPTION)
72	9.802-779.0	4	NUT, 3/8" ESNA	
73	8.718-980.0	4	WASHER, 5/16" FLAT	
74	9.802-467.0	1	BASE RELAY	(TIME DELAY SHUTDOWN OPTION)
75	9.802-468.0	1	RELAY	(TIME DELAY SHUTDOWN OPTION)
76	8.751-306.0	1	TIMER, MULTI-FUNCTION, 24V-120/240V	(TIME DELAY SHUTDOWN OPTION)
77	9.802-472.0	1	TIMER, SOLID STATE, 120V, 5-60 MINS, ADJUSTABLE	(AUTO START/STOP OPTION)
78	9.800-049.0	1	LABEL, MANUFACTURER'S CLEANING SOLUTION	
79	8.932-985.0	2	LABEL, KARCHER STRIPE, 17"	
80	9.802-802.0	8	WASHER, 1/4 " FLAT SAE ZINC	
81	9.802-700.0	4	BOLT, 1/4" X 3/4" NC HH (6/2937)	
82	8.718-858.0	4	WASHER, 1/4" FLAT RUBBER BACK, SS	
83	8.757-391.0	2	ELBOW BRASS 1/2 SAE (M) X 1/2 NPTF (M)	
84	9.804-016.0	1	FILTER SCREEN WASHER, GARDEN HOSE/30MESH	
85	9.803-280.0	1	LOCKNUT, 1" CONDUIT	

## Hose & Spray Gun



REF	PART NO.	QTY	DESCRIPTION	NOTES
1	9.802-166.0	1	COUPLER, 3/8" FEMALE	
	9.802-100.0	1	QUICK COUPLER O-RING	
2	8.917-057.0	1	HOSE, 3/8" X 50', 1 WIRE	
3	4.775-054.0	1	EASY! FORCE ADVANCED KNA	
4	9.802-219.0	1	WAND W/SIDE GRIP	
5	8.712-398.0	1	NOZZLE, SOAP, BRASS	
6	-	-	NOZZLE	SEE EXPLODED VIEW PARTS LIST
7	8.756-797.0	1	INJECTOR, CHEMICAL, NON ADJ 0.083(2.1MM)	
8	9.802-164.0	1	COUPLER, 1/4" FEMALE	
-	9.802-096.0	1	QUICK COUPLER O-RING	

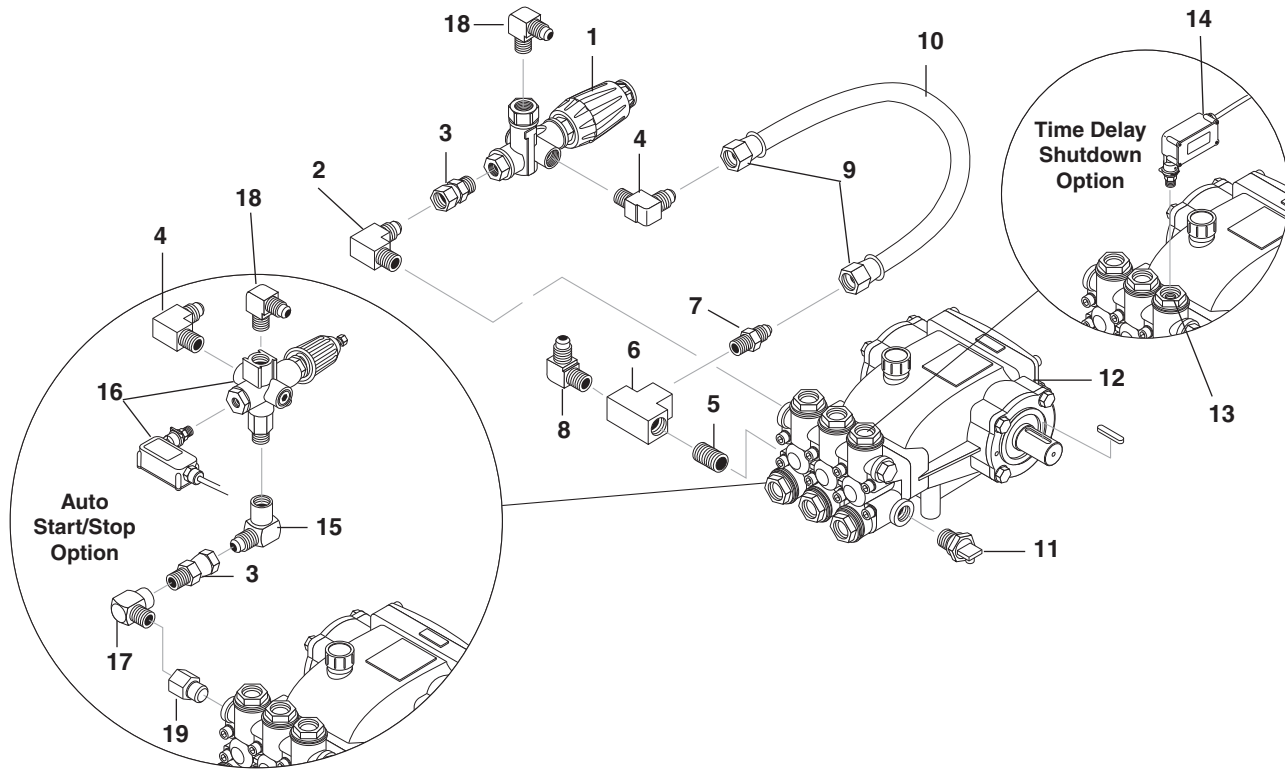




## Specifications

Machine Model	Pump Model	Part #	Pump Pulley	Pulley Part #	Pump Bushing	Bushing Part #	Size	Voltage/ ph	HZ
1.575-300.0	KD3030R	9.804-006.0	AK74H	9.802-369.0	24MM	9.802-402.0	2HP	120V/1PH	60
1.575-301.0	KM4035R	8.751-189.0	2AK74H	9.802-369.0	24MM	9.802-402.0	6.2HP	230V/1PH	60
1.575-302.0	KM4035R	8.751-189.0	2AK74H	9.802-369.0	24MM	9.802-402.0	6.2HP	230V/3PH	60
1.575-303.0	KM4035R	8.751-189.0	2AK74H	9.802-369.0	24MM	9.802-402.0	6.2HP	460V/3PH	60
1.575-304.0	KM4035R	8.751-189.0	2AK74H	9.802-369.0	24MM	9.802-402.0	6.2HP	208V/1PH	60
1.575-305.0	KM4035R	8.751-189.0	2AK74H	9.802-369.0	24MM	9.802-402.0	6.2HP	208V/3PH	60
1.575-306.0	KM4035R	8.751-189.0	2BK80H	8.715.592.0	24MM	9.802-402.0	7.5HP	230V/1PH	60
1.575-307.0	KM4035R	8.751-189.0	2BK80H	8.715.592.0	24MM	9.802-402.0	7.5HP	230V/3PH	60
1.575-308.0	KM4035R	8.751-189.0	2BK80H	8.715.592.0	24MM	9.802-402.0	7.5HP	460V/3PH	60
1.575-309.0	KM4035R	8.751-189.0	2BK80H	8.715.592.0	24MM	9.802-402.0	7.5HP	208V/1PH	60
1.575-310.0	KM4035R	8.751-189.0	2BK80H	8.715.592.0	24MM	9.802-402.0	7.5HP	208V/3PH	60

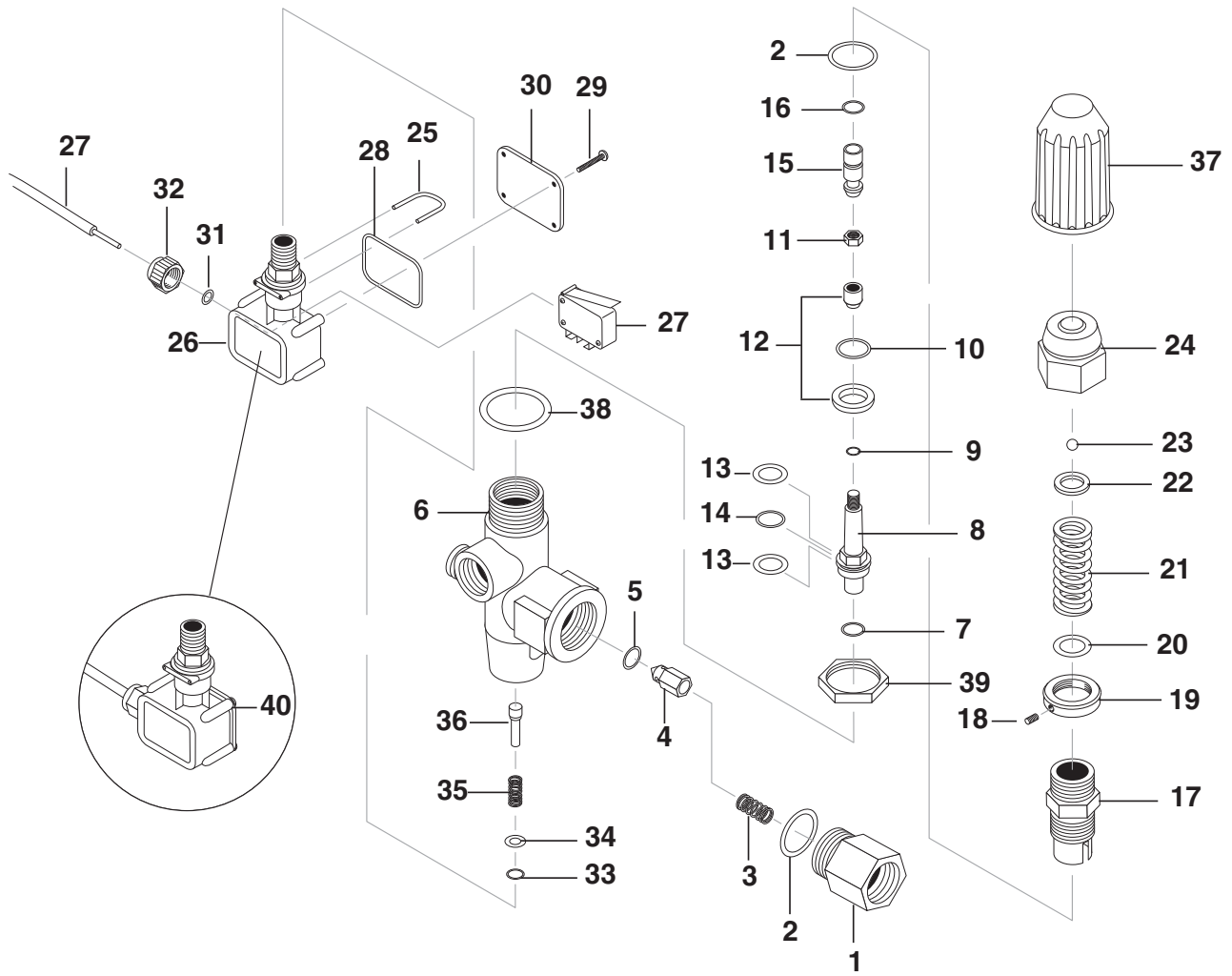
Model	Motor Part #	Motor Pulley	Motor Pulley Part #	Motor Bushing	Motor Part #	Belt Size	Belt Part #	Contractor Part #	Overload Part #
300.0	8.754-710.0	AK32x5/8	9.804-004.0	N/A	N/A	AX40 (1)	9.804-005.0	8.724-268.0	N/A
301.0	9.802-336.0	2AK56H	9.802-373.0	HX1-1/8"	9.802-400.0	AX42 (2)	9.802-411.0	8.724-276.0	N/A
302.0	8.751-004.0	2AK56H	9.802-373.0	HX1-1/8"	9.802-400.0	AX42 (2)	9.802-411.0	8.724-268.0	8.724-304.0
303.0	8.751-004.0	2AK56H	9.802-373.0	HX1-1/8"	9.802-400.0	AX42 (2)	9.802-411.0	8.724-268.0	8.724-312.0
304.0	9.802-337.0	2AK56H	9.802-373.0	HX1-1/8"	9.802-401.0	AX42 (2)	9.802-411.0	8.724-276.0	N/A
305.0	9.802-330.0	2AK56H	9.802-373.0	HX1-1/8"	9.802-401.0	AX42 (2)	9.802-411.0	8.724-268.0	8.724-304.0
306.0	8.715-097.0	2BK52H	9.802-386.0	HX1-3/8"	9.802-401.0	BX43 (2)	9.802-420.0	8.724-276.0	8.724-306.0
307.0	8.755-604.0	2BK50H	8.715-583.0	HX1-3/8"	9.802-401.0	BX43 (2)	9.802-420.0	8.724-268.0	8.724-304.0
308.0	8.755-604.0	2BK50H	8.715-583.0	HX1-3/8"	9.802-401.0	BX43 (2)	9.802-420.0	8.724-268.0	8.724-312.0
309.0	9.802-332.0	2BK52H	9.802-386.0	HX1-3/8"	9.802-401.0	BX43 (2)	9.802-420.0	8.724-276.0	8.724-307.0
310.0	8.755-606.0	2BK50H	8.715-583.0	HX1-3/8"	9.802-401.0	BX43 (2)	9.802-420.0	8.724-268.0	8.724-305.0



REF	PART NO.	QTY	DESCRIPTION	NOTES
1	8.750-299.0	1	UNLOADER, VRT, 8 GPM @ 4500 PSI	
2	8.757-616.0	1	ADAPTER 1/2 JIC (M) X 3/8 BSPP (M) 90°	
3	8.757-656.0	1	ADAPTER SWIVEL STEEL 1/2 JICX3/8 NPTF(M)	
4	8.757-262.0	1	ELBOW, 1/2" 45° SAE X 3/8" M-NPTF, BRASS	
5	8.757-619.0	1	ADAPTER 1/2 BSPP (M) X 1/2 NPTF (M)	
6	8.757-485.0	1	TEE, 1/2", BRASS	
7	8.757-200.0	1	ADAPTER, 1/2" 45° SAE X 1/2" M-NPTF BRASS	
8	8.757-391.0	1	ELBOW, 1/2" M SAE X 1/2" NPTF (M)	
9	9.802-151.0	2	SWIVEL PUSH-ON, 1/2" JIC FEMALE, BRASS	
10	9.802-259.0	18"	HOSE, 1/2" PUSH-ON	
11	8.757-771.0	1	PUMP PROTECTOR 1/2 BSPP X 1/4 BARB 145°	
12	-	1	PUMP	SEE SPECIFICATIONS PAGES
13	9.802-632.0	1	CAP, VALVE W/1/4" GAUGE PORT	(TIME DELAY SHUTDOWN OPTION) (ALL EXCEPT 300.0)
-	9.804-022.0	1	CAP, VALVE W/1/4" GAUGE PORT	(TIME DELAY SHUTDOWN OPTION (300.0)
14	9.802-458.0	1	SWITCH, PRESSURE, N/O, 1/4" NP	(TIME DELAYSHUTDOWN OPTION)
15	8.757-935.0	1	ADAPTER STEEL 1/2 JIC F X 3/8 NPTF F 90°	(AUTO START/STOP OPTION)
16	9.802-362.0	1	UNLOADER, PA 8 GPM @3650 PSI, VB8, W/ SWITCH	(AUTO START/STOP OPTION)
17	8.757-340.0	1	ELBOW 3/8", STREET 90 DEG, STEEL, W/SLNT	
18	8.757-509.0	1	ELBOW, 3/4"-16 SAE X 3/8" NPTF(M), STEEL	
19	8.757-184.0	1	ADAPTER, M-BSPP X F-NPTF, 06-06	

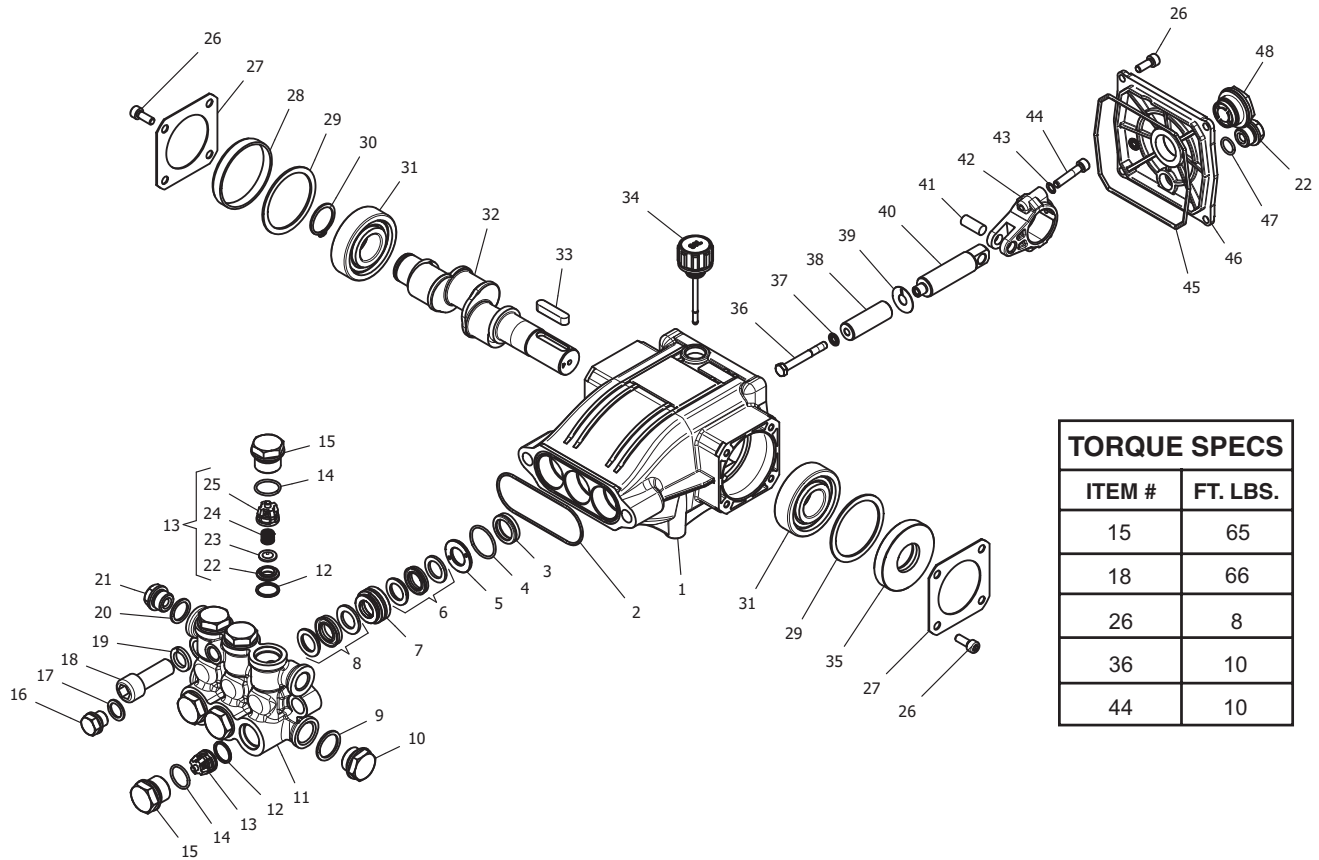
# VB8 Unloader Valve

9.802-362.0  
PA 8@3650



REF	PART NO.	QTY	DESCRIPTION	NOTES
1	60.0059.31	1	3/8 BSP F OUTLET FITTING	
2	10.3070.02*	2	O-RING 1.78 X 18.77 MM	
3	60.0053.51	1	O SPRING	
4	60.0052.31	1	CHECK VALVE	
5	10.3213.00*	1	O-RING 3 X 6 MM	
6	60.1215.35	1	VB8 BRASS BODY	
7	10.3170.08*	1	O-RING 2,62 X 7.6 MM	
8	60.1206.51	1	PISTON	
9	10.3001.01*	1	O-RING 1 X 4 MM	
10	10.3066.01*	1	O-RING 1.78 X 15.6 MM	
11	60.1205.31	1	M 6 NUT BRASS	
12	60.2221.20*	1	VB8/9 SEAT+SHUTTER	
13	10.4021.00*	2	BACK RING 11.4 X 15.9 MM	
14	10.3175.00*	1	O-RING 2.62 X 10.77 MM	
15	60.1204.31	1	SPRING GUIDE	
16	10.3167.01*	1	O-RING 2.62 X 5.23 MM	
17	60.1203.31	1	PISTON HOUSING	
18	16.2100.00	1	M 4 X 4 MM DOWEL	
19	60.1207.31	1	M 22 NUT	
20	14.3719.00	1	WASHER 9 X 15 MM	
21	60.1208.61	1	3.2 X 33 MM SPRING	
22	60.1210.31	1	UPPER FRAME	
23	14.7421.50	1	1/4" BALL	
24	60.1209.31	1	BRASS CAP	
25	29.0087.51	1	SST CLIP	
26	29.0089.84	1	PLASTIC HOUSING	
27	8.750-169.0	1	EL.CABLE + MICRO SWITCH	
28	10.3206.01	1	O-RING 2.62 X 28.25 MM	
29	16.3020.00	2	2.5 X 12 MM SCREW	
30	29.0088.84	1	COVER	
31	10.3169.00	1	O-RING 2.62 X 6.02 MM	
32	29.0082.84	1	BLACK NUT-40 BAR	
33	10.3038.00	1	O-RING 1.78 X 3.68 MM	
34	14.3519.53	1	SST WASHER 4 X 8 MM	
35	60.2303.51	1	SPRING	
36	60.1281.31	1	PR 5 PIN	
37	60.1202.84	1	PLASTIC HANDLE (60.1290.00)	
38	14.3582.00	1	WASHER D. 30 MM (60.1290.00)	
39	60.2254.31	1	M 30 NUT (60.1290.00)	
40	29.0096.24	1	PR 5 PL.HOUSING KIT	
<b>Kit P/N Description</b>				
*K1	*8.750-168.0	1	Repair Kit VB8	

# KB Series Pump



TORQUE SPECS	
ITEM #	FT. LBS.
15	65
18	66
26	8
36	10
44	10

REF	PART NO.	QTY	DESCRIPTION	NOTES
1	8.754-841.0	1	CRANKCASE	
2	8.754-846.0	1	O-RING Ø1.78 X 72.75	
3	-	3	PLUNGER OIL SEAL	SEE KITS TABLE
4	-	3	O-RING Ø1.78 X 26.7	SEE KITS TABLE
5	-	3	WASHER, PRESSURE RING 16 MM	SEE KITS TABLE
6	-	3	U-SEAL, 16 MM	SEE KITS TABLE
7	-	3	PRESSURE RING, 16 MM	SEE KITS TABLE
8	9.803-199.0	3	U-SEAL, 16 MM	SEE KITS TABLE
9	9.803-199.0	1	WASHER, COPPER G1/2	
10	9.802-926.0	1	PLUG, BRASS G1/2	
11	8.754-852.0	1	MANIFOLD	
12	8.717-233.0	6	O-RING Ø1.78 X 15.6	SEE KITS TABLE
13	-	6	VALVE ASSEMBLY	SEE KITS TABLE
14	9.803-948.0	6	O-RING Ø1.78 X 18.77	SEE KITS TABLE
15	9.803-949.0	6	VALVE PLUG	
16	8.754-851.0	1	PLUG, BRASS G1/4	
17	8.718-973.0	1	WASHER, COPPER G1/4	
18	8.754-854.0	2	BOLT, MANIFOLD M14 X 40	
19	8.754-850.0	2	WASHER, LOCK	
20	9.803-198.0	1	WASHER, COPPER G3/8	

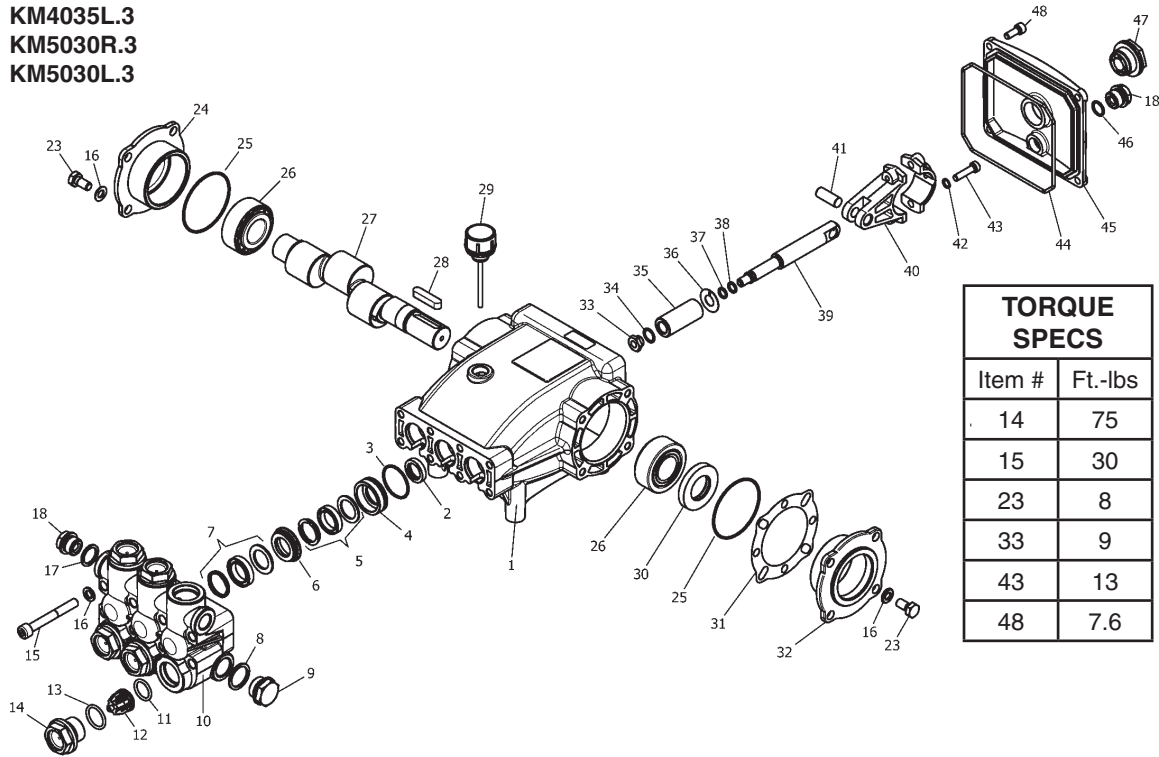


REF	PART NO.	QTY	DESCRIPTION	NOTES
21	8.707-262.0	2	PLUG, BRASS G3/8	
22	-	6	VALVE SEAT	SEE KITS TABLE
23	-	6	VALVE PLATE	SEE KITS TABLE
24	-	6	VALVE SPRING	SEE KITS TABLE
25	-	6	VALVE CAGE	SEE KITS TABLE
26	9.802-939.0	12	SCREW, M6 X 16	
27	8.717-137.0	2	BEARING COVER	
28	9.803-954.0	1	BEARING SEAL	
29	8.754-843.0	2	SEAL SPACER, CRANKSHAFT	
30	9.802-914.0	1	SNAP RING, 25 MM	
31	9.803-955.0	2	BEARING, BALL	
32	8.754-829.0	1	SHAFT, 24 MM 3030	
-	8.754-830.0	1	SHAFT, 24 MM 4025	
33	9.803-167.0	1	KEY, CRANKSHAFT	
34	8.754-219.0	1	OIL DIPSTICK	
35	8.933-010.0	1	SEAL, CRANKSHAFT	
36	8.754-855.0	3	BOLT, PLUNGER	SEE KITS TABLE
37	8.754-092.0	3	SPACER, COPPER	SEE KITS TABLE
38	8.754-848.0	3	PLUNGER, 16 MM	SEE KITS TABLE
39	9.803-962.0	3	SPACER, COPPER	SEE KITS TABLE
40	8.754-827.0	3	PLUNGER ROD	
41	9.803-965.0	3	CONNECTING ROD PIN	
42	9.803-966.0	3	CONNECTING ROD	
43	9.803-218.0	6	WASHER, 6 MM	
44	8.933-020.0	6	SCREW, CONNECTING ROD	
45	8.754-847.0	1	O-RING Ø2.62 X 111.62	
46	8.754-842.0	1	COVER, CRANKCASE	
47	9.803-906.0	1	O-RING Ø1.78 X 14	
48	9.803-202.0	1	SIGHT GLASS, G3/4	

KIT NUMBERS	8.754-856.0	8.754-857.0	8.754-858.0	8.754-859.0	9.803-937.0
KIT DESCRIPTION	Plunger Seals 16 mm	Seal Packing 16 mm	Plunger 16 mm	Complete Valve	Plunger Oil Seals
ITEM NUMBERS INCLUDED	4, 6, 8	4, 5, 6, 7, 8	36, 37, 38, 39	12, 13, 14	3
NUMBER OF CYLINDERS KIT WILL SERVICE	3	1	1	6	3

# KM.3 Series Pump

- 8.751-186.0 KM3540R.3
- 8.751-187.0 KM4030R.3
- 8.751-188.0 KM4030L.3
- 8.751-189.0 KM4035R.3
- 8.751-190.0 KM4035L.3
- 8.751-191.0 KM5030R.3
- 8.751-192.0 KM5030L.3



TORQUE SPECS	
Item #	Ft.-lbs
14	75
15	30
23	8
33	9
43	13
48	7.6

REF	PART NO.	QTY	DESCRIPTION	NOTES
1	8.751-216.0	1	CRANKCASE	
2	-	3	PLUNGER OIL SEAL	SEE KITS TABLE
3	-	3	O-RING Ø1.78 X 31.47	SEE KITS TABLE
4	-	3	PRESSURE RING	SEE KITS TABLE
5	-	3	U-SEAL	SEE KITS TABLE
6	-	3	INTERMEDIATE RING	SEE KITS TABLE
7	-	3	U-SEAL	SEE KITS TABLE
8	9.803-199.0	1	WASHER, COPPER	
9	9.802-926.0	1	PLUG, BRASS 1/2	
10	8.751-218.0	1	MANIFOLD HEAD	
11	-	6	O-RING Ø2.62 X 17.13	SEE KITS TABLE
12	-	6	VALVE ASSEMBLY	SEE KITS TABLE
13	-	6	O-RING Ø2.62 X 20.29	SEE KITS TABLE
14	9.802-928.0	6	VALVE PLUG	
15	9.802-938.0	8	MANIFOLD STUD BOLT	
16	9.802-884.0	16	WASHER	
17	9.803-198.0	1	COPPER WASHER 3/8	
18	9.802-925.0	1	BRASS PLUG 3/8	
23	9.802-944.0	8	SCREW, HEX, 8MM X18MM	

REF	PART NO.	QTY	DESCRIPTION	NOTES
24	8.717-210.0	1	CLOSED BEARING HOUSING	
25	9.803-192.0	2	O-RING Ø1.78 X 60.05	
26	8.933-011.0	2	TAPERED ROLLER BEARING	
27	8.751-222.0	1	CRANKSHAFT (5030,3540)	
-	8.751-223.0	1	CRANKSHAFT (4030, 4035)	
28	9.803-167.0	1	CRANKSHAFT KEY	
29	9.802-921.0	1	OIL DIP STICK	
30	9.803-140.0	1	CRANKSHAFT SEAL	
31	9.803-178.0	2	SHIM	
32	8.717-209.0	1	BEARING HOUSING	
33	-	3	PLUNGER NUT, M8	SEE KITS TABLE
34	-	3	COPPER SPACER	SEE KITS TABLE
35	-	3	PLUNGER (4035)	SEE KITS TABLE
-	-	3	PLUNGER (4030, 5030)	SEE KITS TABLE
-	-	3	PLUNGER (3540)	SEE KITS TABLE
36	-	3	COPPER SPACER	SEE KITS TABLE
37	-	3	O-RING Ø1.78 X 7.66	SEE KITS TABLE
38	-	3	TEFLON RING	SEE KITS TABLE
39	8.751-224.0	3	PLUNGER ROD	
40	9.803-158.0	3	CONNECTING ROD	
41	8.751-228.0	3	CONNECTING ROD PIN	
42	9.803-218.0	6	SPRING WASHER	
43	9.803-238.0	6	CONNECTING ROD SCREW	
44	8.933-016.0	1	O-RING, Ø2.62 X 126.67	
45	8.751-229.0	1	CRANKCASE COVER	
46	9.803-197.0	1	O-RING, Ø1.78 X 14	
47	9.803-202.0	1	SIGHT GLASS 3/4	
48	9.802-939.0	5	COVER SCREW	

KIT NUMBERS	8.725-360.0	8.725-362.0	8.725-385.0	8.725-361.0	8.725-363.0	8.725-359.0
KIT DESCRIPTION	Plunger Seal 4035 18mm	Plunger Seal 4030 5030 20mm	Plunger Seal 3540 15mm	Complete Seal Packing 4035 18mm	Complete Seal Packing 4030 5030 20mm	Complete Seal Packing 3540 15mm
ITEM NUMBERS INCLUDED	3, 5, 7	3, 5, 7	3, 5, 7	3, 4, 5, 6, 7	3, 4, 5, 6, 7	3, 4, 5, 6, 7
NUMBER OF CYLINDERS KIT WILL SERVICE	3	3	3	1	1	1

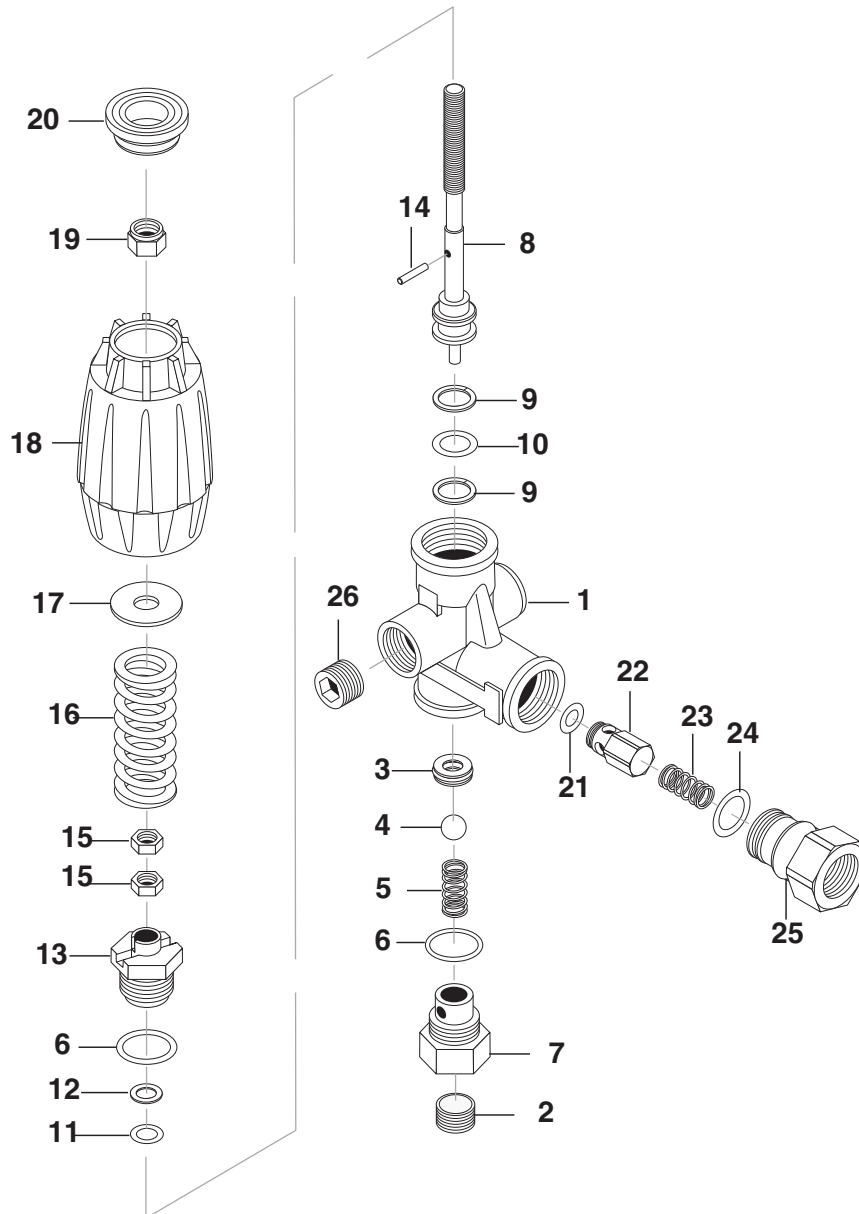
KIT NUMBERS	8.751-237.0	8.751-238.0	8.933-023.0	9.802-603.0	9.802-609.0
KIT DESCRIPTION	Plunger 4035 18mm	Plunger 4030 5030 20mm	Plunger 3540 15mm	Complete Valve	Plunger Oil Seals
ITEM NUMBERS INCLUDED	33, 34, 35, 36, 37, 38	33, 34, 35, 36, 37, 38	33, 34, 35, 36, 37, 38	11, 12, 13	2
NUMBER OF CYLINDERS KIT WILL SERVICE	1	1	1	6	3

## VRT3 Unloader

8.750-297.0, 8 GPM, 2320 PSI

8.750-298.0, 8 GPM, 3630 PSI

8.750-299.0, 8 GPM, 4500 PSI



REF	PART NO.	QTY	DESCRIPTION	NOTES
25	8.750-713.0	1	OUTLET FITTING	
18	8.750-712.0	1	KNOB, UNLOADER	
-	8.750-709.0	-	REPAIR KIT, VRT3, 2320/3630 PSI	
-	8.750-710.0	-	REPAIR KIT, VRT3, 4500 PSI	
-	-	-	(KIT ITEMS: 3, 4, 6, 9-12, 21, 24)	

## Unloader Adjustment Procedures

1. Remove lock nut (Item 19).
2. Remove adjustment knob (Item 18).
3. Loosen the two (2) nuts (Item 15), move them upward on stem (Item 8) until you see 4 or more threads below the nut.
4. Re-attach adjusting knob (Item 18).
5. Start machine. Open the trigger of the spray gun. Increase pressure by turning adjustment knob (Item 18) clockwise until pressure is at the desired operating pressure.
6. Remove the adjustment knob (Item 18), tighten the lower nut (Item 15) tightly against the upper nut (Item 15). Re-attach adjustment knob (Item 18) and screw down until contact is made with the nuts (Items 15). Screw down lock nut (Item 19) onto the stem (Item 8) until the threads cut into the nylon insert of the lock nut (Item 19).

\*If adjustment knob (Item 18) **DOES NOT** make contact with upper nut (Items 15), remove adjusting knob (Item 18), re-adjust (raise) nuts (Items 15) on stem (Item 8) and re-attach adjustment knob (Item 18), then repeat step #6.

\*\*If adjustment knob (Item 18) **DOES** make contact with upper nut; release the trigger of the spray gun and watch the pressure gauge for the pressure increase (“spike”). This “spike” **SHOULD NOT** exceed 500 psi above the operating pressure. If “spike” pressure exceeds the 500 psi limit, remove the adjusting knob (Item 18) and re-adjust (lower) the nuts (Items 15) on the stem (Item 8). Re-attach the adjusting knob (Item 18), then repeat step #6.

**KÄRCHER**

A thick, solid black horizontal bar that serves as an underline for the Kärcher brand name.

9.800-086.0 • Printed in U.S.A.