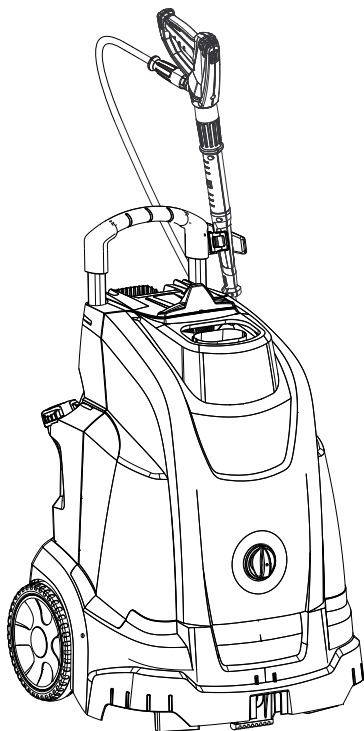


# KÄRCHER

makes a difference

## HDS 1.7/12 U Ed

English	4
Français	16
Español	30

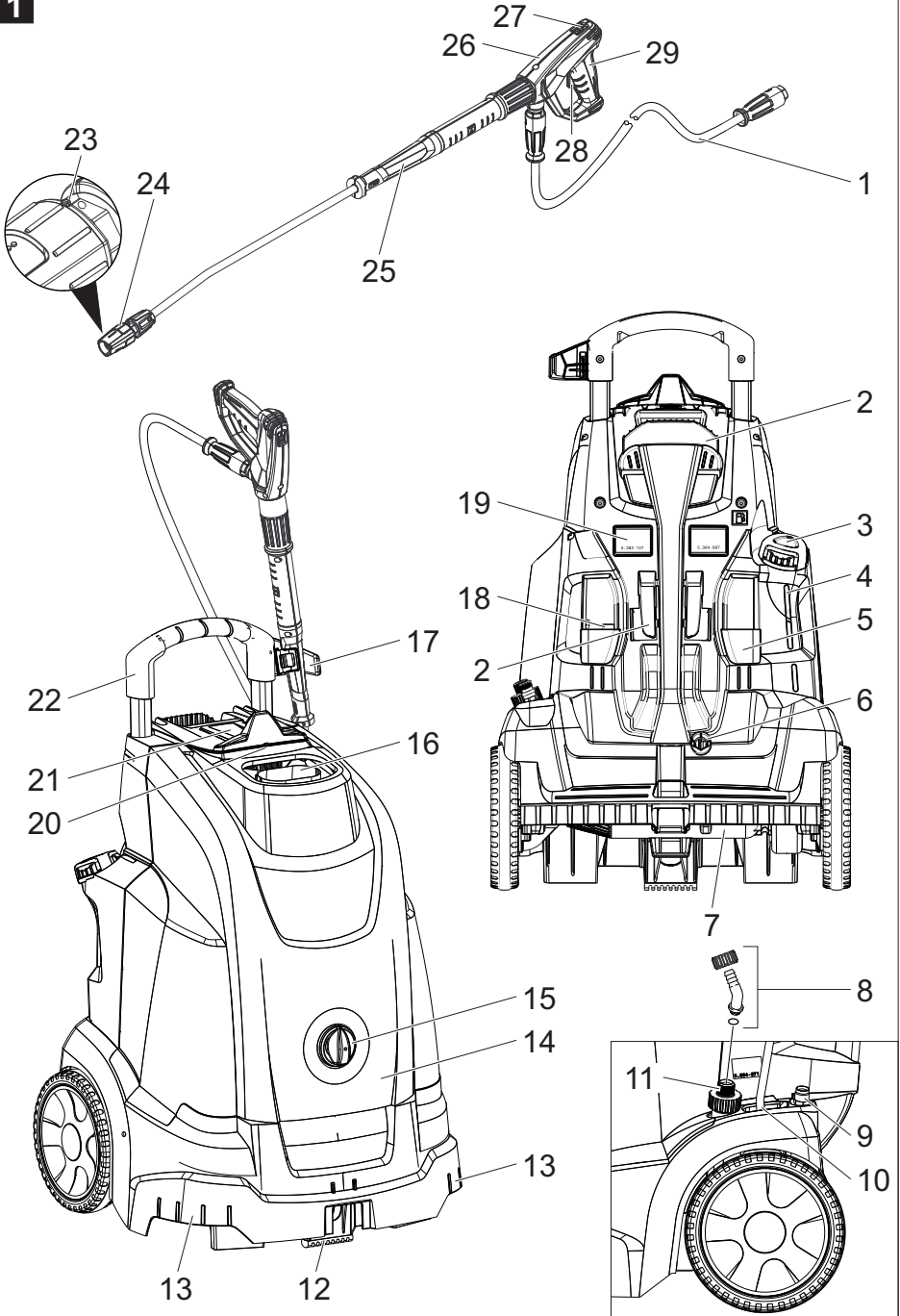


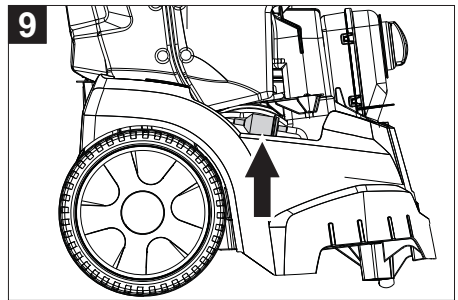
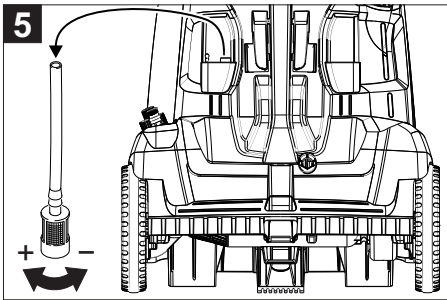
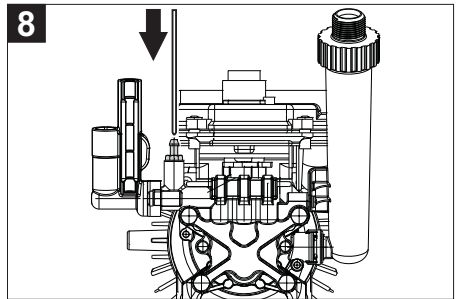
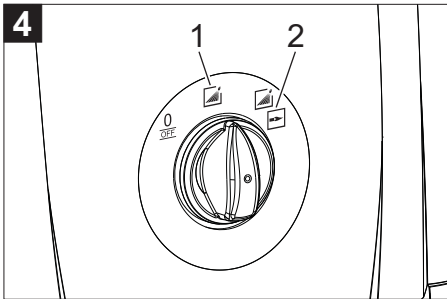
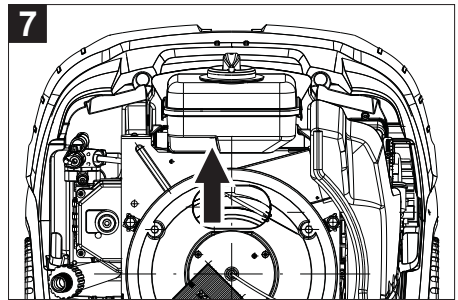
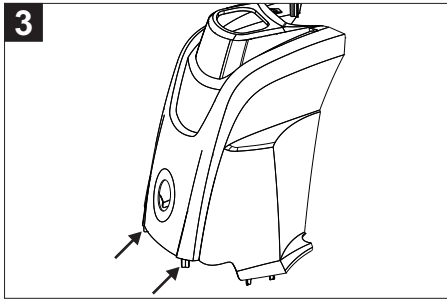
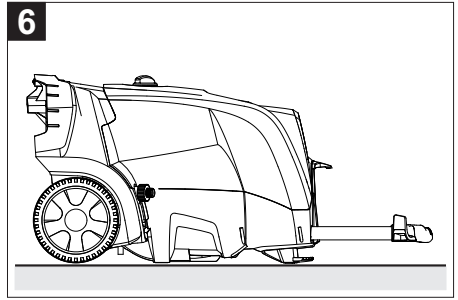
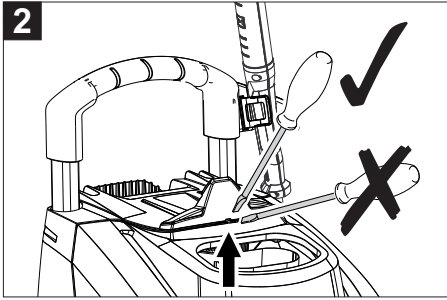
**Register and win!**  
[www.kärcher.com/register-and-win](http://www.kärcher.com/register-and-win)



59669110 05/16

1





# IMPORTANT SAFETY INSTRUCTIONS

## **⚠ WARNING**

*When using this product basic precautions should always be followed, including the following:*

- 1 Read all the instructions before using the product.
- 2 High pressure jets can be dangerous if misused. The jet must not be directed at persons, animals, electrical devices, or the unit itself.
- 3 To reduce the risk of injury, close supervision is necessary when a product is used near children.
- 4 Know how to stop the product and bleed pressures quickly. Be thoroughly familiar with the controls.
- 5 Stay alert – watch what you are doing.
- 6 Wear safety goggles.
- 7 Do not use acids, alkaline, solvents, or any flammable material in this product. These products can cause physical injuries to the operator and irreversible damage to the machine.
- 8 Do not operate the product when fatigued or under the influence of alcohol or drugs.
- 9 Do not overreach or stand on unstable support. Keep good footing and balance at all times.
- 10 To reduce the risk of electrocution, keep all connections dry and off the ground. Do not touch plug with wet hands.
- 11 The Trigger Gun Safety Lock prevents the trigger from accidentally being engaged. This safety feature DOES NOT lock trigger in the ON position.
- 12 Keep operating area clear of all persons.
- 13 Close cover before operating the machine.
- 14 This appliance is intended for commercial use.
- 15 Follow the maintenance instructions specified in the manual.
- 16 This machine has been designed for use with cleaning chemicals supplied or recommended by the manufacturer. The use of other cleaning chemicals may affect the operation of the machine and void the warranty.
- 17 This product is provided with a Ground Fault Circuit Interrupter built into the power cord plug. If replacement of the plug or cord is needed, use only identical replacement parts.
- 18 Do not use extension cord with this product.
  - Injection hazard: equipment can cause serious injury if the spray penetrates the skin. Do not point the gun at anyone or any part of the body. In case of penetration seek medical aid immediately.
  - This system is capable of producing 1200 psi/8.3 MPa. To avoid rupture and injury, do not operate this pump with components rated less than 1200 psi/ 8.3 MPa working pressure (including but not limited to spray guns, hose and hose connections).
  - Before servicing, cleaning, or removal of any part, shut off power and relieve pressure.
  - Do not spray electrical apparatus and wiring.
  - High Pressure. Keep clear of nozzle.
  - If connection is made to a potable water system, the system shall be protected against backflow.

## **Owner/User Responsibility**

- The owner and/or user must have an understanding of the manufacturer's operating instructions and warnings before using this pressure washer.
- Warning information should be emphasized and understood.

- If the operator is not fluent in English, the manufacturer's instructions and warnings shall be read to and discussed with the operator in the operator's native language by the purchaser/owner, making sure that the operator comprehends its contents.
- Owner and/or user must study and maintain for future reference the manufacturers' instructions.

## GROUNDING INSTRUCTIONS

This product must be grounded. If it should malfunction or breakdown, grounding provides a path of least resistance for electric current to reduce the risk of electric shock. This product is equipped with a cord having an equipment-grounding conductor and a grounding plug. The plug must be plugged into an appropriate outlet that is properly installed and grounded in accordance with all local codes and ordinances.

### **⚠ DANGER**

*Improper connection of the equipment-grounding conductor can result in a risk of electrocution. Check with a qualified electrician or service personnel if you are in doubt as to whether the outlet is properly grounded. Do not modify the plug provided with the product - if it will not fit the outlet, have a proper outlet installed by a qualified electrician. Do not use any type of adapter with this product.*

## GROUND FAULT CIRCUIT INTERRUPTER PROTECTION

This product is supplied with a Ground Fault Circuit Interrupter (GFCI) built into the power cord plug. This device provides additional protection from the risk of electric shock. If power is interrupted in the line, the GFCI will automatically re-close the circuit to the load after power is restored. Depending on the GFCI model, it may be necessary to manually operate the reset button to restore power to the GFCI load circuit. If replacement of the plug or cord is needed use identical replacement parts.

## WATER SUPPLY

### **⚠ CAUTION**

*When connecting the water inlet to the water supply mains, local regulations of your water company must be observed. In some areas the unit must not be connected directly to the public drinking water supply. This is to ensure that there is no feedback of chemicals into the water supply. Direct connection via a receiver tank or backflow preventer, for example, is permitted.*

*Always connect the system separator to the water supply, never directly to the appliance!*

*Dirt in the feed water will damage the unit. To avoid this risk, we recommend fitting a water filter.*

- Garden hose must be at least 1/2 inch in diameter.
- Flow rate of water supply must not fall below 2.5 GPM (gallons per minute).
- Flow rate can be determined by running the water for one minute into an empty 5-gallon container.
- The water supply temperature must not exceed 86°F/30°C.
- Never use the pressure washer to draw in water contaminated with solvents, e.g. paint thinners, gasoline, oil, etc.
- Always prevent debris from being drawn into the unit by using a clean water source. Use additional water filter.

### **SAVE THESE INSTRUCTIONS!**



Please read and comply with these original instructions prior to the initial operation of your appliance and store them for later use or subsequent owners.

- Before first start-up it is definitely necessary to read the operating instructions and safety indications Nr. 5.951-949.0!
- In case of transport damage inform vendor immediately.
- Check the contents of the pack before unpacking. For scope of delivery see illustration 1.

## Contents

Environmental protection . . . .	EN	1
Danger or hazard levels . . . .	EN	1
Device elements . . . . .	EN	2
Symbols on the machine. . . .	EN	2
Proper use . . . . .	EN	2
Safety instructions. . . . .	EN	3
Safety Devices . . . . .	EN	3
Start up . . . . .	EN	3
GFCI INSTRUCTIONS . . . .	EN	5
Operation . . . . .	EN	5
Storage . . . . .	EN	7
Transport. . . . .	EN	7
Care and maintenance . . . .	EN	8
Troubleshooting . . . . .	EN	8
Warranty . . . . .	EN	9
Accessories and Spare Parts .	EN	9
Technical specifications . . . .	EN	10

## Environmental protection



The packaging material can be recycled. Please do not throw the packaging material into household waste; please send it for recycling.



Old appliances contain valuable materials that can be recycled; these should be sent for recycling. Batteries, oil, and similar substances must not enter the environment. Please dispose of your old appliances using appropriate collection systems.

Please do not release engine oil, fuel oil, diesel and petrol into the environment. Protect the ground and dispose of used oil in an environmentally-clean manner.

### Notes about the ingredients (REACH)

You will find current information about the ingredients at:

[www.kaercher.com/REACH](http://www.kaercher.com/REACH)

## Danger or hazard levels

### **⚠ DANGER**

*Pointer to immediate danger, which leads to severe injuries or death.*

### **⚠ WARNING**

*Pointer to a possibly dangerous situation, which can lead to severe injuries or death.*

### **⚠ CAUTION**

*Pointer to a possibly dangerous situation, which can lead to minor injuries.*

### **ATTENTION**

*Pointer to a possibly dangerous situation, which can lead to property damage.*

## Device elements

### Illustration 1

- 1 High pressure hose EASY!Lock
- 2 Cable clamp
- 3 Pouring vent for fuel
- 4 Filling level display
- 5 Storage compartment for nozzles
- 6 Power supply
- 7 High-pressure pump
- 8 Water supply set
- 9 High-pressure connection EASY!Lock
- 10 Storage for spray pipe
- 11 Water connection with filter
- 12 Support
- 13 Carrying handle
- 14 Cover
- 15 Power switch
- 16 Burner
- 17 Support for spray lance
- 18 Detergent suction hose with filter
- 19 Nameplate
- 20 Cover lock
- 21 Storage compartment for hoses
- 22 Push handle
- 23 Marking of the nozzle
- 24 Triple nozzle EASY!Lock
- 25 Spray lance EASY!Lock
- 26 Trigger gun EASY!Force
- 27 Safety latch of the hand spray gun
- 28 Safety lever
- 29 Trigger

## Colour coding

- The operating elements for the cleaning process are yellow.
- The controls for the maintenance and service are light gray.

## Symbols on the machine



*High-pressure jets can be dangerous if improperly used. The jet may not be directed at persons, animals, live electrical equipment or at the appliance itself. The high pressure cleaner must only be used while standing.*

## Proper use

- Cleaning of: Machines, Vehicles, Structures, Tools, Facades, Terraces, Gardening tools, etc.
- The high pressure cleaner must only be used while standing.
- Never leave the appliance unattended as long as it is in operation.

### **△ DANGER**

*Risk of injury! Follow the respective safety regulations when operating at gas stations or other dangerous areas.*

Please do not let mineral oil contaminated waste water reach soil, water or the sewage system. Perform engine cleaning and bottom cleaning therefore only on specified places with an oil trap.

### **Quality requirements for water:**

#### **ATTENTION**

*Only clean water may be used as high pressure medium. Impurities will lead to increased wear and tear or formation of deposits in the appliance and accessories. If recycled water is used, the following limit values must not be exceeded.*

pH value	6,5...9,5
electrical conductivity *	Conductivity fresh water +1200 µS/cm
settleable solids **	< 0,5 mg/l
total suspended solids ***	< 50 mg/l
Hydrocarbons	< 20 mg/l
Chloride	< 300 mg/l
Sulphate	< 240 mg/l
Calcium	< 200 mg/l
Total hardness	< 28 °dH < 50 °TH < 500 ppm (mg CaCO <sub>3</sub> /l)
Iron	< 0,5 mg/l
Manganese	< 0,05 mg/l
Copper	< 2 mg/l
Active chloride	< 0,3 mg/l
free of bad odours	
* Maximum total 2000 µS/cm	
** Test volume 1 l, settling time 30 min	
*** no abrasive substances	

## Safety instructions

PROPOSITION 65

WARNING

The burner exhaust from this product contains chemicals known to the State of California to cause cancer, birth defects or other reproductive harm.

- *Please follow the national rules and regulations for fluid spray jets of the respective country.*
- *Please follow the national rules and regulations for accident prevention of the respective country. Fluid spray jets must be tested regularly and the results of these tests must be documented in writing.*
- *The heating appliance of the machine is an ignition plant. All national laws and regulations about heating systems must also be followed.*
- *The appliance/accessories must not be modified.*

## Safety Devices

Safety devices serve for the protection of the user and must not be put out of operation or bypassed with respect to their function.

### Pressure switch

The pressure switch turns the device off when the handgun is closed and switch on when the handgun is opened.

### Safety valve

- The safety valve opens in case of excessive pressure in the boiler or if the overflow valve or the pressure switch is broken.
- The safety valve is set by the manufacturer and sealed. Setting only by customer service.

### Water shortage safeguard

The water shortage safeguard prevents the burner to be turned on when there is water shortage.

### Temperature stop for exhaust gases

The temperature stop switches off the machine when the waste gases have reached very high temperatures.

### Winding protection contact

The winding protection contact in the motor winding of the pump drive switches off the engine when there is a thermal overload.

### Safety catch

The safety catch on the trigger gun prevents the appliance from being switched on unintentionally.

## Start up

### ⚠ WARNING

*Risk of injury! Appliance, accessories, supply lines and connections must be in fault-free condition. If they are not in a perfect state then the appliance must not be used.*



## Install the hand-spray gun, the jet pipe, the nozzle and the high pressure hose

**Note:** The EASY!Lock system joins components with a quick-fasten thread solidly and securely with just one turn.

- ➔ Join the spray lance with the trigger gun and tighten until hand-tight (EASY!Lock).
- ➔ Mount the nozzle on the spray lance (marking on the adjustment ring at the top) and hand-tighten it (EASY!Lock).
- ➔ Join the high-pressure hose with trigger gun and high-pressure connection of the appliance and tighten until hand-tight (EASY!Lock).

## Refill fuel

### **⚠ DANGER**

*Risk of explosion! Only refill diesel oil or light fuel oil. The operation with bio diesel as per EN 14214 (starting at an outside temperature of 43 °F/6 °C) is possible. Unsuitable fuels, e.g. petrol, are not to be used.*

### **ATTENTION**

*Risk of damage! Never operate device with an empty fuel tank. The fuel pump will otherwise be destroyed. This also applies to cold water operation.*

- ➔ Open fuel filler cap.
- ➔ Refill fuel.
- ➔ Close tank lock.
- ➔ Wipe off spilled fuel.

## Fill/replace detergent container

### **⚠ DANGER**

*Risk of injury!*

- Use Kärcher products only.
- Under no circumstances vacuum solvents (petrol, acetone, diluting agent etc.).
- Avoid eye and skin contact.
- Observe safety and handling instructions by the detergent manufacturer.

**Kärcher offers an individual cleaning and care appliances program.**

Your dealer will consult you gladly.

- ➔ Fill/replace external detergent container.

## Water connection

For connection values refer to technical specifications.

- ➔ Attach supply hose (minimum length 24.6 ft/7.5 m, minimum diameter 1/2") to the water supply set by means of a hose clamp.
- ➔ Connect the supply hose to the water connection point of the machine and at the water supply point (for e.g. a tap).

**Note:** The supply hose and the hose clamp are not included in the scope of delivery.

## Suck in water from vessel

- ➔ Connect suction hose (minimum diameter 1/2") with filter (accessory) to the water connection point.
  - Max. suck height: 1.6 ft (0.5 m)

### **⚠ DANGER**

*Risk of personal injury or damage! Never suck in water from a drinking water container. Never suck in liquids which contain solvents like lacquer thinner, petrol, oil or unfiltered water. The sealings within the device are not solvent resistant. The spray mist of solvents is highly inflammable, explosive and poisonous.*

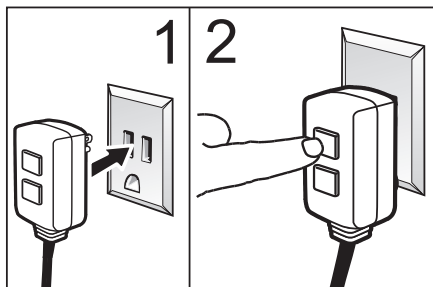
## Power connection

- For connection values, see technical data and type plate.
- The electrical connections must be done by an electrician according to IEC 60364-1.
- ➔ Set the appliance switch to "0/OFF".
- ➔ Plug in the mains plug.

## GFCI INSTRUCTIONS

- ➔ **STEP 1:** Plug the Ground Fault Circuit Interrupter (GFCI) into a working outlet.
- ➔ **STEP 2:** Press "TEST", then press "RESET" to assure proper connection to power.

Note: The actual appearance of the GFCI may be different from this illustration.



## Operation

### **⚠ DANGER**

*Danger of explosion! Do not spray flammable liquids.*

### **⚠ DANGER**

*Risk of injury! Never use the appliance without the spray lance attached. Check and ensure proper fitting of the spray lance prior to each use. The screw connection of the spray lance must be finger-tight.*

### **⚠ DANGER**

*Risk of injury! Hold the hand spray gun and the spray pipe firmly with both hands.*

### **⚠ DANGER**

*Risk of injury! The trigger and safety lever may not be locked during the operation.*

### **⚠ DANGER**

*Risk of injury! Contact Customer Service if the safety lever is damaged.*

### **ATTENTION**

- *Risk of damage! Never operate device with an empty fuel tank. The fuel pump will otherwise be destroyed. This also applies to cold water operation.*

- *Risk of damage! Never operate the appliance without a filter in the water connection.*
- *Risk of damage! Do not place any objects (hose, etc.) on or over the chimney.*

## Open/close the hood

### Illustration **2**

- ➔ Unlock the hood lock using a screwdriver, pivot the appliance hood forward and unhook it.

### Illustration **3**

- ➔ Hook in the appliance hood (see arrows), pivot it up and lock in the hood lock.

## Opening/closing the trigger gun

- ➔ To open the trigger gun: Actuate the safety lever and trigger.
- ➔ To close the hand spray gun: Release the safety lever and trigger.

## Replace the nozzle

### **⚠ DANGER**

*Risk of injury! Switch the appliance off prior to replacing nozzle and activate hand spray gun until device is pressureless.*

- ➔ Secure the trigger gun. To do so, push the safety catch towards the front.
- ➔ Replacing the nozzle.

## Operating modes

### Illustration **4**

0/OFF = Off

- 1 Operating with cold water
- 2 Operating with hot water

## Turning on the Appliance

- ➔ Set appliance switch to desired operating mode.

The device starts briefly and turns off, as soon as the working pressure is reached.

- ➔ Release the trigger gun. To do so, push the safety catch towards the back.

When activating the hand spray gun the device switches back on.

**Note:** If no water comes out of the high pressure nozzle, vent pump.

Vent pump:

- With open hand spray gun turn device on and off multiple times with the device switch.

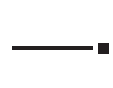


**Note:** By dismantling the spray lance from the hand spray gun, the venting process is accelerated.

### Interrupting operation

- Release the pulling lever; the device will switch off.  
Secure the trigger gun. To do so, push the safety catch towards the front.
- Release the trigger gun. To do so, push the safety catch towards the back.  
Release the pulling lever again; the device will switch on again.

### Select spray type

- Close the hand spray gun.
- Secure the trigger gun. To do so, push the safety catch towards the front.
- Turn the casing of the nozzle till the desired symbol matches the marking.

	High pressure circular spray (0°) for specially stubborn dirt
	Flat low pressure spray (CHEM) for operating using detergents or cleaning at low pressure.
	High pressure flat spray (25°) for large dirt areas

### Operation with detergent

- For considerate treatment of the environment use detergent economically.
- The detergent must be suitable for the surface to be cleaned.

Illustration 5

- Take out detergent suck hose.
- Turn filter on the detergent suction hose in order to dispense the detergent.
- Suspend end of suction hose in a container filled with detergent.
- Set nozzle to "CHEM".

### Cleaning

- Set the detergent concentration according to the surface to be cleaned.

**Note:** To prevent damage due to too much pressure, always position high pressure ray first from a greater distance towards object to be cleaned.

### Recommended cleaning method

- Loosen the dirt:
- Spray detergent economically and let it work for 1...5 minutes but do not let it dry up.
- Remove the dirt:
- Spray off loosened dirt with the high pressure jet.

### Operating with cold water

Removal of light contaminations and clear rinse, i.e.: Gardening tools, terrace, tools, etc.

- Set the appliance switch to "1".

### Operating with hot water

⚠ **DANGER**

*Scalding danger!*

- Set the appliance switch to "2".

### After operation with detergent

- Completely close the filter at the detergent suction hose (-).
- Set the appliance switch to "1".
- Open the hand spray gun and rinse the appliance for at least 1 minute.

### Turn off the appliance

⚠ **DANGER**

*Danger of scalding from hot water! After operation with hot water, the device must be operated with opened handgun with cold water for at least two minutes.*

- Shut off water supply.
- Open the hand spray gun.
- Switch on the pump with the power switch and allow to run for about 5-10 seconds.
- Close the hand spray gun.
- Set the appliance switch to "0/OFF".

- Pull main plug out of socket with dry hands only.
- Remove water connection.
- Activate hand spray gun until device is pressure less.
- Secure the trigger gun. To do so, push the safety catch towards the front.

### Storing the Appliance

- Insert the hand-spray gun in the holder.
- Wind up the high-pressure hose and hang it over the hose storage.
- Wind the connection cable around the cable holder.
- Fasten the plug with the mounted clip.

### Frost protection

#### **ATTENTION**

*Risk of damage! Frost will destroy the appliance if the water has not been completely drained.*

- Store in a frost free area.

If the device is connected to a chimney, the following must be observed:

#### **ATTENTION**

*Threat of damage by penetrating cold air through the chimney.*

- Disconnect device from chimney when outside temperature drops below 32 °F/ 0 °C.

If it is not possible to store frost free, shut down device.

### Shutdown

For longer work breaks or if a frost free storage is not possible:

- Drain water.
- Flush device with anti-freeze agent.

#### **Dump water**

- Screw off water supply hose and high pressure hose.

Illustration **6**

- Lay the appliance on its rear.
- Operate the appliance for a max. of 1 minute with cold water until the pump and conduits are empty.

### Flush device with anti-freeze agent

**Note:** Observe handling instructions of the anti-freeze agent manufacturer.

- Fill commercial grade anti-freeze into the water connection.
- Switch on appliance (without heater) till the appliance has been completely rinsed.

A certain corrosion protection is achieved with this as well.

### Storage

#### **△ CAUTION**

*Risk of personal injury or damage! Consider the weight of the appliance when storing it.*

### Transport

#### **△ DANGER**

*Risk of injury! Risk of tipping with high inclines, if the inclination is too large to the side and with unstable surfaces.*

- The appliance should only be used on gradients of max. 2%.
- Only use the machine on sound surfaces.

#### **ATTENTION**

*Protect the trigger from damage during transport.*

#### **△ CAUTION**

*Risk of personal injury or damage! Mind the weight of the appliance during transport.*

- Lay the appliance on its rear prior to transporting it and drain the residual water.
- Pull the device behind you at the carrying handle for transporting it over longer distances
- To carry, hold the appliance by the handles and the pushing handle.
- When transporting in vehicles, secure the appliance according to the guidelines from slipping and tipping over.

## Care and maintenance

### **⚠ DANGER**

*Risk of injury by inadvertent start-up of appliance and electric shock. Prior to all work on the appliance, switch off the appliance and pull the power plug.*

- Shut off water supply.
- Open the hand spray gun.
- Switch on the pump with the power switch and allow to run for about 5-10 seconds.
- Close the hand spray gun.
- Set the appliance switch to "0/OFF".
- Pull main plug out of socket with dry hands only.
- Remove water connection.
- Activate hand spray gun until device is pressure less.
- Secure the trigger gun. To do so, push the safety catch towards the front.
- Allow device to cool down.

### Safety inspection/ maintenance contract

You can sign with your dealer a contract for regular safety inspection or even sign a maintenance contract. Please take advice on this matter.

### Maintenance intervals

#### Weekly

- Clean filter in the water connection.

#### Monthly

- Clean filter at the detergent suck hose.

#### Every 500 operating hours, at least annually

- Have the maintenance of the device performed by the customer service.

### Maintenance Works

**Note:** It is not necessary to perform an oil change on the high-pressure pump.

#### Clean filter in the water connection.

- Remove the filter.
- Clean filter in water and reinstall.

#### Clean filter at the detergent suck hose

- Clean filter in water and reinstall.

## Troubleshooting

### **⚠ DANGER**

*Risk of injury by inadvertent start-up of appliance and electric shock. Prior to all work on the appliance, switch off the appliance and pull the power plug.*

### Appliance is not running

- No power
- Check power connection/conduit.
- Engine overload/overheat
- Set the appliance switch to "0/OFF".
- Allow device to cool down.
- Turn on the appliance.
- If malfunction still occurs, have device checked by customer service.
- The exhaust temperature limiter has been triggered, heating coil is sooted.
- Have device de-sooted by customer service.
- The exhaust temperature limiter has been triggered, exhaust temperature too high.
- Set the appliance switch to "0/OFF".
- Allow device to cool down.
- Only in devices with manual reset: Illustration 7  
Press reset button of the exhaust temperature limiter.
- Turn on the appliance.
- If malfunction still occurs, have device checked by customer service.

### Device is not building up pressure

- Air within the system
- Vent pump:
  - With open hand spray gun turn device on and off multiple times with the device switch.
- Note:** By dismantling the spray lance from the hand spray gun, the venting process is accelerated.
- Fill/replace external detergent container if empty.
- Check connections and conduits.

- Filter in the water connection is dirty
- ➔ Clean filter.
- Amount of water supply is too low.
- ➔ Check water supply level (refer to technical data).
- Water tap is closed.
- ➔ Open tap.

### Device continuously turns on and off while hand spray gun is open

- Air within the system
- Vent pump:
- ➔ With open hand spray gun turn device on and off multiple times with the device switch.

**Note:** By dismantling the spray lance from the hand spray gun, the venting process is accelerated.

- High-pressure nozzle clogged
- ➔ Clean the nozzle.
- Heating coil has heavy calcium deposits
- ➔ Have the device decalcified by customer service.

### Device turns on and off while hand spray gun is closed

- Leak in the high pressure system
- ➔ Check high pressure system and connections for tightness.

### Device leaks, water drips from the bottom of the device

- Pump leaks, safety valve not tight.

**Note:** 3 drops/minute are allowed.

- ➔ With stronger leak, have device checked by customer service.

### Device is not sucking in detergent

- Nozzle is set to "High pressure"
- ➔ Set nozzle to "CHEM".
- External detergent container is empty.
- ➔ Fill/replace external detergent container.
- Filter at the detergent suction hose dirty
- ➔ Clean filter.

Illustration **3**

- Backflow valve stuck
- ➔ Remove the detergent hose and loosen the backflow valve using a blunt object.

### Burner does not start

- Fuel tank empty.
- ➔ Refill fuel.
- Water shortage
- ➔ Check water supply, check connections.
- Water flow temperature too hot.
- ➔ Fill in water with a max. temperature of 86°F/30°C.

Illustration **9**

- Fuel filter dirty
- ➔ Change fuel filter.

### Customer Service

**If malfunction can not be fixed, the device must be checked by customer service.**

### Warranty

The warranty terms published by the relevant sales company are applicable in each country. We will repair potential failures of your appliance within the warranty period free of charge, provided that such failure is caused by faulty material or defects in manufacturing. In the event of a warranty claim please contact your dealer or the nearest authorized Customer Service centre. Please submit the proof of purchase.

### Accessories and Spare Parts

Only use original accessories and spare parts, they ensure the safe and trouble-free operation of the device.

For information about accessories and spare parts, please visit [www.kaercher.com](http://www.kaercher.com).

## Technical specifications

		HDS 1.7/12 U Ed
<b>Main Supply</b>		
Voltage	V	110-120
Current type	Hz	1~ 60
Connected load	hp	2.3
Protection (slow)	A	15
Type of protection	--	IPX5
Protective class	--	I
<b>Water connection</b>		
Max. feed temperature	°F (°C)	86 (30)
Min. feed volume	gpm (l/min)	2.5 (9.5)
Suck height from open container (68 °F/20 °C)	ft (m)	1.6 (0.5)
Max. feed pressure	psi (MPa)	87 (0.6)
Inlet hose diameter (min.)	Inch	1/2
Inlet hose length (min.)	ft (m)	24.6 (7.5)
<b>Performance data</b>		
Water flow rate	gpm (l/min)	1.7 (6.5)
Operating pressure of water (using standard nozzle)	psi (MPa)	1200 (8.3)
Max. excess operating pressure (safety valve)	psi (MPa)	1700 (12)
Max. operating temperature of hot water	°F (°C)	176 (80)
Detergent suck in	gpm (l/min)	0-0.13 (0-0.5)
Burner performance	kW	23
Maximum consumption of heating oil	kg/h	2.3
Max. recoil force of trigger gun	N	15
Size of standard nozzle	--	032
<b>Values determined as per EN 60335-2-79</b>		
Noise emission		
Sound pressure level $L_{pA}$	dB(A)	76
Uncertainty $K_{pA}$	dB(A)	3
Sound power level $L_{WA}$ + Uncertainty $K_{WA}$	dB(A)	94
Hand-arm vibration value		
Hand spray gun	m/s <sup>2</sup>	2.4
Spray lance	m/s <sup>2</sup>	1.4
Uncertainty K	m/s <sup>2</sup>	0.3
<b>Fuel</b>		
Fuel	--	Fuel oil EL or Diesel
Amount of oil	gal (l)	0.03 (0.1)
Oil grade	--	Motor oil 0W40 (6.288-219)
<b>Dimensions and weights</b>		
Length x width x height	in (mm)	24.3 x 24.3 x 39.0 (618 x 618 x 994)
Typical operating weight	lbs (kg)	154.3 (70)
Fuel tank	gal (l)	1.7 (6.5)

## CONSIGNES DE SÉCURITÉ IMPORTANTES

### ⚠ **AVERTISSEMENT**

*En utilisant ce produit, toujours observer une certaine prudence élémentaire, incluant notamment :*

- 1 Lire toutes les instructions de service avant d'utiliser l'appareil.
- 2 En cas d'utilisation incorrecte, les jets haute pression peuvent être dangereux. Ne jamais diriger les jets de vapeur en direction d'individus, d'animaux, de dispositifs électriques ou de l'appareil lui-même.
- 3 Afin de minimiser les risques de blessure, ne jamais laisser l'appareil sans surveillance lorsque celui-ci est utilisé à proximité d'enfants.
- 4 Il est impératif de savoir arrêter et mettre l'appareil hors pression rapidement. Une connaissance approfondie des commandes est nécessaire.
- 5 Rester attentif – se concentrer sur la tâche en cours.
- 6 Le port de lunettes de protection est obligatoire.
- 7 N'utiliser en aucun cas d'acides, de solutions alcalines, de solvants ou de produits inflammables dans cet appareil. Ces produits peuvent être à l'origine de blessures graves ou d'endommagement irréversible de l'appareil.
- 8 L'utilisateur ne doit jamais faire usage de l'appareil lorsqu'il est fatigué ou sous l'emprise d'alcool ou de drogues.
- 9 Ne jamais passer ou monter sur des supports instables. Toujours rester stable et équilibré.
- 10 Afin de réduire le risque d'électrocution, garder toutes les connexions au sec et ne pas les laisser à terre. Ne pas toucher la fiche avec les mains mouillées.
- 11 Le dispositif de sécurité de la poignée-pistolet permet d'éviter tout actionnement accidentel de la gâchette. Ce dispositif de sécurité NE verrouille PAS la gâchette en position marche (ON).
- 12 Veiller à ce qu'aucun individu ne se trouve dans la zone de travail.
- 13 Fermer le couvercle avant d'utiliser la machine.
- 14 Cet appareil est prévu pour un usage commercial.
- 15 Respecter les consignes d'entretien figurant dans le manuel.
- 16 Cette machine a été conçue pour une utilisation avec des produits chimiques utilisés pour le nettoyage, fournis ou recommandés par le fabricant. L'utilisation d'autres produits chimiques pour le nettoyage peut influencer sur le fonctionnement de la machine et annuler la garantie.
- 17 Ce produit est fourni avec un disjoncteur différentiel monté dans la fiche du cordon d'alimentation. Si le remplacement de la fiche ou du cordon d'alimentation s'avère nécessaire, n'utiliser que des pièces de rechange identiques.
- 18 Ne pas utiliser que des rallonges.
  - Risque d'injection : le produit peut provoquer de graves blessures en cas de pénétration dans la peau. Ne pas diriger le canon vers quelqu'un ou vers une partie du corps. En cas de pénétration, consulter immédiatement un médecin.
  - Ce système peut produire 1200 psi/ 8.3 MPa. Afin d'éviter une rupture et des blessures, ne pas utiliser cette pompe avec des composants ayant une puissance nominale inférieure à une pression de service de 1200 psi/ 8.3 MPa (comprend des pistolets pulvérisateurs, des tuyaux et des raccords de tuyaux).
  - Avant d'effectuer l'entretien, le nettoyage ou le retrait de toute pièce, couper le courant et réduire la pression.
  - Ne pas pulvériser sur des appareils ou des fils électriques.
  - Haute pression. Maintenir sans tuyères.



- Si le branchement à un système d'eau potable est effectué, le système doit être protégé contre un retour de courant.

### **Responsabilité du propriétaire/de l'utilisateur**

- Avant d'utiliser ce nettoyeur pression, le propriétaire et/ou l'utilisateur doit impérativement avoir pris connaissance des consignes d'utilisation et mises en garde du fabricant.
- Il est nécessaire d'insister sur les avertissements et de les comprendre.
- Si l'utilisateur ne parle pas couramment l'anglais, l'acheteur/le propriétaire doit lire les consignes et mises en garde du fabricant avec l'utilisateur dans la langue maternelle de ce dernier et s'assurer qu'il en comprend bien le contenu.
- Le propriétaire et/ou l'utilisateur doit se familiariser avec les consignes du fabricant et les conserver afin de pouvoir s'y référer ultérieurement.

### **INSTRUCTIONS DE MISE À LA TERRE**

Ce produit doit-être mis à la terre. En cas de mauvais fonctionnement ou de panne, la mise à la terre établit un chemin de moindre résistance pour le courant électrique afin de réduire le risque de décharge électrique. Ce produit est équipé d'un cordon doté d'un conducteur de mise à la terre de l'équipement et d'une prise de mise à la terre. La prise doit être branchée dans une prise appropriée qui est correctement installée et mise à la terre en conformité avec les codes et ordonnances locaux.

### **⚠ DANGER**

*Un conducteur de mise à la terre d'équipement incorrectement branché peut entraîner un risque d'électrocution. Vérifier avec un électricien ou un technicien d'entretien qualifié en cas de doute sur la mise à terre correcte de la prise. Ne pas modifier la fiche fournie avec le produit - si elle ne peut pas être branchée, faire installer une prise appropriée par un électricien qualifié. Ne pas utiliser n'importe quel type d'adaptateur avec ce produit.*

### **PROTECTION PAR DISJONCTEUR DIFFÉRENTIEL**

Ce produit est fourni avec un disjoncteur différentiel intégré dans la fiche de cordon d'alimentation. Ce dispositif fournit une protection supplémentaire contre les risques de décharges électriques. En cas de coupure de courant, le disjoncteur différentiel referme automatiquement le circuit lorsque le courant est rétabli. Selon le modèle de disjoncteur différentiel, il peut s'avérer nécessaire d'actionner manuellement le bouton de réinitialisation pour rétablir l'alimentation du circuit de charge. Utiliser des pièces de rechange identiques en cas de remplacement du cordon ou de la fiche.

## ALIMENTATION EN EAU

### **△ ATTENTION**

*Lors de la connexion de l'entrée d'eau à la canalisation d'alimentation en eau, les réglementations locales de votre compagnie d'eau doivent être observées. Dans certaines zones, l'appareil ne doit pas être connecté directement à l'alimentation en eau potable publique. Il s'agit de s'assurer qu'il n'y a pas de retour de produits chimiques dans l'alimentation en eau. Une connexion directe par l'intermédiaire d'un réservoir de réception ou d'un disconnecteur hydraulique par exemple est autorisée.*

*Toujours raccorder le séparateur du système au niveau de l'alimentation en eau et jamais directement sur l'appareil!*

*D'éventuelles impuretés dans l'eau d'alimentation endommagent l'appareil. Pour prévenir ce risque, nous recommandons d'installer un filtre à eau.*

- Le tuyau d'arrosage doit avoir un diamètre minimum de 1/2 pouces.
- Le débit de l'alimentation en eau ne doit pas être inférieur à 2,5 GPM (gallons par minute).
- Pour calculer le débit, faire couler l'eau pendant une minute dans un récipient vide d'une contenance de 5 gallons.
- La température de l'eau d'alimentation ne doit pas excéder 86 °F/30 °C.
- Ne jamais aspirer d'eau contaminée par des solvants, par exemple des diluants pour peinture, de l'essence, de l'huile, etc..
- Toujours utiliser une source d'eau propre afin d'éviter toute infiltration de débris dans l'appareil. Utiliser un filtre à eau supplémentaire.

**CONSERVER CES INSTRUCTIONS!**



Lire ce manuel d'utilisation original avant la première utilisation de votre appareil, le respecter et le conserver pour une utilisation ultérieure ou pour le futur propriétaire.

- Avant la première mise en service, vous devez impérativement avoir lu les consignes de sécurité N° 5.951-949.0 !
- Contactez immédiatement le revendeur en cas d'avarie de transport.
- Vérifier le contenu de l'emballage à l'ouverture. Étendue de livraison cf. figure 1.

## Table des matières

Protection de l'environnement	FR	1
Niveaux de danger	FR	1
Éléments de l'appareil	FR	2
Symboles sur l'appareil	FR	2
Utilisation conforme	FR	2
Consignes de sécurité	FR	3
Dispositifs de sécurité	FR	3
Mise en service	FR	4
DISJONCTEUR DIFFERENTIEL		
Utilisation	FR	5
Entreposage	FR	8
Transport	FR	8
Entretien et maintenance	FR	8
Assistance en cas de panne	FR	9
Garantie	FR	10
Accessoires et pièces de rechange	FR	10
Caractéristiques techniques	FR	11

## Protection de l'environnement



Les matériaux constitutifs de l'emballage sont recyclables. Ne pas jeter les emballages dans les ordures ménagères, mais les remettre à un système de recyclage.



Les appareils usés contiennent des matériaux précieux recyclables lesquels doivent être apportés à un système de recyclage. Il est interdit de jeter les batteries, l'huile et les substances similaires dans l'environnement. Pour cette raison, utiliser des systèmes de collecte adéquats afin d'éliminer les appareils hors d'usage.

Ne jetez pas l'huile moteur, le fuel, le diesel ou l'essence dans la nature. Protéger le sol et évacuer l'huile usée de façon favorable à l'environnement.

### Instructions relatives aux ingrédients (REACH)

Les informations actuelles relatives aux ingrédients se trouvent sous :

[www.kaercher.com/REACH](http://www.kaercher.com/REACH)

## Niveaux de danger

### ⚠ **DANGER**

Signale la présence d'un danger imminent entraînant de graves blessures corporelles et pouvant avoir une issue mortelle.

### ⚠ **AVERTISSEMENT**

Signale la présence d'une situation éventuellement dangereuse pouvant entraîner de graves blessures corporelles et même avoir une issue mortelle.

### ⚠ **PRÉCAUTION**

Remarque relative à une situation potentiellement dangereuse pouvant entraîner des blessures légères.

### **ATTENTION**

Remarque relative à une situation éventuellement dangereuse pouvant entraîner des dommages matériels.

## Éléments de l'appareil

### Illustration 1

- 1 Flexible haute pression EASY!Lock
- 2 Attache-câble
- 3 Orifice de remplissage pour combustible
- 4 Affichage de l'état de remplissage
- 5 Récepteur de buse
- 6 Alimentation électrique
- 7 Pompe haute pression
- 8 Kit de raccord d'alimentation en eau
- 9 Raccordement haute pression EASY!Lock
- 10 Reposeur de tube d'acier
- 11 Raccordement d'eau avec filtre
- 12 Support
- 13 Poignée de transport
- 14 Capot
- 15 Interrupteur principal
- 16 Brûleur
- 17 Dispositif de fixation de la lance
- 18 Flexible d'aspiration du détergent avec filtre
- 19 Plaque signalétique
- 20 Fermeture du capot
- 21 Dépose du flexible
- 22 Guidon de poussée
- 23 Marquage de la buse
- 24 Buse triple EASY!Lock
- 25 Tube d'acier EASY!Lock
- 26 Pistolet de pulvérisation à main EASY!Force
- 27 Cran de sécurité de la poignée-pistolet
- 28 Manette de sécurité
- 29 Levier de départ

### Repérage de couleur

- Les éléments de commande pour le processus de nettoyage sont jaunes.
- Les éléments de commande pour la maintenance et l'entretien sont en gris clair.

## Symboles sur l'appareil



*Une utilisation incorrecte des jets haute pression peut présenter des dangers. Le jet ne doit pas être dirigé sur des personnes, animaux, installations électriques actives ni sur l'appareil lui-même. Le nettoyeur à haute pression ne doit être exploité que debout, à la verticale.*

### Utilisation conforme

- Nettoyage de : machines, véhicules, bâtiments, outils, façades, terrasses, appareils de jardinage, etc.
- Le nettoyeur à haute pression ne doit être exploité que debout, à la verticale.
- Ne jamais laisser l'appareil sans surveillance lorsqu'il est en marche.

#### **⚠ DANGER**

*Risque de blessure ! En cas d'utilisation dans l'enceinte d'une station service ou dans d'autres zones à risque, respecter les consignes de sécurité correspondantes.*

Ne pas évacuer les eaux usées contenant de l'huile minérale dans la terre, les dispositifs pour eaux usées ou les canalisations. Dès lors, effectuer le nettoyage du moteur ou du bas de caisse uniquement aux postes de lavage appropriés et équipés d'un séparateur d'huile.

#### **Exigences à la qualité d'eau :**

#### **ATTENTION**

*Utiliser uniquement de l'eau propre comme fluide haute pression. Les salissures entraînent l'usure prématurée ou des dépôts dans l'appareil et les accessoires. Si de l'eau de recyclage est utilisée, les valeurs limites suivantes ne doivent pas être dépassées.*

Valeur de pH	6,5...9,5
conductivité électrique *	Conductivité de l'eau du robinet +1200 µS/cm
substances qui se déposent **	< 0,5 mg/l
substances qui peuvent être filtrées ***	< 50 mg/l
Hydrocarbures	< 20 mg/l
Chlorure	< 300 mg/l
Sulfate	< 240 mg/l
calcium	< 200 mg/l
Dureté globale	< 28 °dH < 50 °TH < 500 ppm (mg CaCO <sub>3</sub> /l)
Fer	< 0,5 mg/l
Manganèse	< 0,05 mg/l
Cuivre	< 2 mg/l
Chlore actif	< 0,3 mg/l
exempt de mauvaises odeurs	
* Total maximal 2000 µS/cm	
** Volume d'essai 1 l, temps de dépose 30 min	
*** pas de substance abrasive	

## Consignes de sécurité

PROPOSITION 65
AVERTISSEMENT
L'échappement de ce brûleur contient des produits chimiques connus de l'Etat de Californie qui provoquent le cancer, des malformations congénitales et d'autres dommages de reproduction.

- *Respecter les dispositions légales nationales respectives pour les jets de liquide.*
- *Respecter les dispositions légales nationales respectives pour la prévention des accidents. Les jets de liquides doivent être contrôlés régulièrement et le résultat du contrôle consigné par écrit.*

- *Le dispositif de chauffage de l'appareil est une installation de combustion. Les installations d'allumage doivent être contrôlées régulièrement en concordance avec les dispositions légales nationales respectives.*
- *Il est interdit d'effectuer des modifications sur l'appareil/les accessoires.*

## Dispositifs de sécurité

Les dispositifs de sécurité ont pour but de protéger l'utilisateur. Par conséquent, ils ne doivent en aucun cas être désactivés ou transformés.

### Pressostat

Lorsque le pistolet est fermé, le pressostat désactive l'appareil. Il le réactive lorsque le pistolet est de nouveau ouvert.

### Soupape de sûreté

- La soupape de sûreté s'ouvre en cas de surpression du caisson ou lorsque le clapet de décharge ou le pressostat est défectueux.
- La soupape de sûreté est réglée et plombée d'usine. Seul le service après-vente est autorisé à effectuer le réglage.

### Dispositif de sécurité en cas de manque d'eau

Le dispositif de sécurité en cas de manque d'eau permet d'éviter que le brûleur se mette en marche lorsque la quantité d'eau est insuffisante.

### Limiteur de la température de tuyère

Le limiteur de la température de tuyère arrête l'appareil en attendant une température très haute de tuyère.

### Disjoncteur de protection moteur

Le contact de protection d'enroulement dans l'enroulement de moteur de l'actionnement de pompe arrête le moteur en cas de surcharge thermique.

## Cran de sécurité

Le cran de sécurité de la poignée-pistolet empêche toute mise en marche inopinée de l'appareil.

## Mise en service

### ⚠ **AVERTISSEMENT**

*Risque de blessure ! L'appareil, les accessoires, les conduites et les raccords doivent être dans un parfait état. Ne pas utiliser l'appareil si son état n'est pas irréprochable.*

## Monter pistolet pulvérisateur à main, lance, buse et flexible haute pression

**Remarque :** Le système EASY!Lock relie les composants au moyen d'un filetage rapide et fiable avec une seule rotation.

- ➔ Relier le tube d'acier au pistolet à main et serrer à la main (EASY!Lock).
- ➔ Monter la buse sur la lance (marquage sur la bague de butée en haut) et serrer à la main (EASY!Lock).
- ➔ Relier le flexible haute pression au pistolet à main et au flexible haute pression de l'appareil et serrer à la main (EASY!Lock).

## Remplissage du combustible

### ⚠ **DANGER**

*Risque d'explosion ! N'utiliser que du gazole ou du fuel léger. L'exploitation avec du gazole vert selon EN 14214 (à partir d'une température extérieure de 43 °F/6 °C) est possible. Il est interdit d'utiliser des combustibles non appropriés, tels que l'essence.*

### **ATTENTION**

*Risque d'endommagement ! Ne jamais utiliser l'appareil lorsque le réservoir à combustible est vide. sous peine d'endommager la pompe à combustible. Ceci est également valable pour l'exploitation avec de l'eau froide.*

- ➔ Ouvrir le réservoir de carburant.
- ➔ Remplissage du combustible.
- ➔ Fermer le couvercle du réservoir.
- ➔ Essuyer le combustible ayant éventuellement débordé.

## Remplir/remplacer le réservoir de détergent

### ⚠ **DANGER**

*Risque de blessure !*

- Utiliser uniquement les produits Kärcher.
- N'aspirer en aucun cas des solvants (essence, acétone, diluant, etc.).
- Éviter tout contact avec les yeux ou la peau.
- Respecter les consignes de sécurité et d'utilisation fournies par le fabricant du détergent.

**Kärcher propose un assortiment individualisé de produits d'entretien et de nettoyage.**

Votre revendeur se fera un plaisir de vous conseiller.

- ➔ Remplir/remplacer le réservoir de détergent externe.

## Arrivée d'eau

Pour les valeurs de raccordement, se reporter à la section Caractéristiques techniques.

- ➔ Fixer le flexible d'alimentation (longueur minimale 24.6 ft/7.5 m, diamètre minimal 1/2") avec collier de flexible au niveau du kit de raccord d'alimentation en eau.
- ➔ Raccorder la conduite d'alimentation au raccord pour l'arrivée d'eau de l'appareil et à l'alimentation en eau (ex. un robinet).

**Remarque :** Le flexible d'alimentation et le collier de flexible ne sont pas contenus dans l'étendue de livraison.

## Aspirer l'eau encore présente dans les réservoirs

- ➔ Raccorder le tuyau d'aspiration (diamètre min. de 1/2") et le filtre (accessoire) à l'arrivée d'eau.
- Hauteur d'aspiration max. : 1.6 ft (0.5 m)

## **⚠ DANGER**

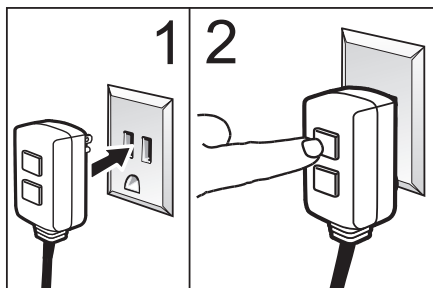
*Risque de blessure et d'endommagement ! Ne jamais aspirer de l'eau depuis un réservoir d'eau potable. Ne jamais aspirer de liquides contenant des solvants, tels que diluant pour peinture, essence, huile, ou eau non filtrée. Les joints de l'appareil ne sont pas résistants aux solvants. Le brouillard de pulvérisation des solvants est extrêmement inflammable, explosif et toxique.*

### **Raccordement électrique**

- Pour les données de raccordement, se référer à la section Caractéristiques techniques et à la plaque signalétique.
  - Le raccordement électrique doit être effectué par un électricien et doit correspondre à la CEI 60364-1.
- ➔ Positionner l'interrupteur sur '0/OFF'.  
➔ Brancher la fiche secteur.

## **DISJONCTEUR DIFFÉRENTIEL**

- ➔ **ETAPE 1** : Brancher le disjoncteur différentiel dans une prise alimentée.
- ➔ **ETAPE 2** : Appuyer d'abord sur « TEST », puis sur « RESET » pour assurer le branchement correct au secteur. Remarque : L'apparence effective du disjoncteur différentiel peut différer de l'illustration.



## **Utilisation**

### **⚠ DANGER**

*Risque d'explosion ! Ne pas pulvériser de liquides inflammables.*

### **⚠ DANGER**

*Risque de blessure ! Ne jamais utiliser l'appareil si la lance n'est pas montée. Contrôler avant chaque utilisation la bonne fixation de la lance. Le raccord vissé de la lance doit être serré à la main.*

### **⚠ DANGER**

*Risque de blessure ! Pendant le travail, retenir la poignée pistolet et la lance des deux mains.*

### **⚠ DANGER**

*Risque de blessure ! Lors du fonctionnement, ne pas coincer le levier de départ et le levier de sécurité.*

### **⚠ DANGER**

*Risque de blessure ! En cas de levier de sécurité défectueux, se rendre au service après-vente.*

### **ATTENTION**

- *Risque d'endommagement ! Ne jamais utiliser l'appareil lorsque le réservoir à combustible est vide. sous peine d'endommager la pompe à combustible. Ceci est également valable pour l'exploitation avec de l'eau froide.*
- *Risque d'endommagement ! Ne jamais exploiter l'appareil sans filtre dans le raccord d'eau.*
- *Risque d'endommagement ! Ne poser aucun objet (flexible, etc.) dans ou sur la cheminée.*

### **Ouvrir/fermer le capot de l'appareil**

#### **Illustration 2**

- ➔ Déverrouiller la fermeture du capot avec un tournevis, rabattre le capot de l'appareil vers l'avant et le décrocher.

#### **Illustration 3**

- ➔ Accrocher le capot de l'appareil (voir flèches), le relever et encliqueter la fermeture du capot.

## Ouvrir/fermer le pistolet de pulvérisation à main

- Ouvrir le pistolet de pulvérisation à main : Actionner le levier de sécurité et le levier de départ.
- Fermer le pistolet de pulvérisation à main. Relâcher le levier de sécurité et le levier de départ.

## Remplacer la buse

### **⚠ DANGER**

*Risque de blessure ! Mettre l'appareil hors service et actionner la poignée-pistolet jusqu'à ce que l'appareil soit hors pression avant de procéder au remplacement de la buse.*

- Sécuriser le pistolet de pulvérisation à main en poussant le loquet de sécurité vers l'avant.
- Remplacer la buse.

## Modes de fonctionnement

Illustration **4**

0/OFF = Arrêt

- 1 Utilisation avec de l'eau froide
- 2 Utilisation avec de l'eau chaude

## Mettre l'appareil en marche

- Mettre l'interrupteur principal sur le mode de fonctionnement souhaité. L'appareil se met en marche pendant une courte durée puis s'arrête dès que la pression de service est atteinte.

- Enlever la sécurité du pistolet de pulvérisation à main en poussant le loquet de sécurité vers l'arrière.

Dès que la poignée-pistolet est actionnée, l'appareil se remet en marche.

**Remarque** : S'il ne sort pas d'eau de la buse haute pression, purger l'air de la pompe.

Purger la pompe :

- En gardant la poignée-pistolet ouverte, mettre plusieurs fois l'appareil hors et sous tension.




**Remarque** : lorsque la lance du pistolet manuel est démontée, le processus de purge est accéléré.

## Interrompre le fonctionnement

- Relâcher la gâchette, l'appareil se met hors service. Sécuriser le pistolet de pulvérisation à main en poussant le loquet de sécurité vers l'avant.
- Enlever la sécurité du pistolet de pulvérisation à main en poussant le loquet de sécurité vers l'arrière. Tirer de nouveau sur la gâchette, l'appareil se remet en service.

## Choisir le type de jet

- Fermer la poignée-pistolet.
- Sécuriser le pistolet de pulvérisation à main en poussant le loquet de sécurité vers l'avant.
- Tourner le logement de la buse jusqu'à ce que le symbole désiré corresponde avec le marquage :

	Jet bâton à haute pression (0°) pour des salissures très tenaces
	Jet plat à basse pression (CHEM) pour le service avec détergent ou nettoyer avec une pression basse
	Jet plat à haute pression (25°) pour des salissures sur des grandes surfaces

## Fonctionnement avec détergent

- Respecter l'environnement en utilisant le détergent avec parcimonie.
- Le détergent doit être adapté à la surface à nettoyer.

Illustration **5**

- Retirer le tuyau d'aspiration de détergent.
- Tourner le filtre sur le flexible de détergent pour doser ce dernier.
- Plonger le flexible d'aspiration du détergent dans un récipient contenant du détergent.
- Placer l'injecteur sur la position "CHEM".



## Nettoyage

- Adapter la concentration de détergent en fonction de la surface à nettoyer.

**Remarque :** Toujours diriger le jet haute pression sur l'objet tout d'abord à bonne distance afin d'éviter tout dommage provoqué par une pression trop élevée.

### Méthode de nettoyage conseillée

- Dissoudre la saleté :
- Pulvériser le détergent avec parcimonie puis le laisser agir entre 1 et 5 minutes sans toutefois le laisser sécher.
- Éliminer la saleté :
- Retirer les saletés dissoutes au moyen du jet haute pression.

### Utilisation avec de l'eau froide

Élimination de salissures légères et rinçage à l'eau claire, ex. : appareils de jardinage, terrasse, outils, etc.

- Mettre l'interrupteur de l'appareil sur « 0 ».

### Utilisation avec de l'eau chaude

#### **⚠ DANGER**

*Risque de brûlure !*

- Mettre l'interrupteur de l'appareil sur « 2 ».

### Après utilisation avec un détergent

- Fermer complètement le filtre sur le flexible d'aspiration du détergent (-).
- Mettre l'interrupteur de l'appareil sur « 0 ».
- Rincer l'appareil à l'eau claire pendant 1 minute au minimum en gardant la poignée-pistolet ouverte.

### Mise hors service de l'appareil

#### **⚠ DANGER**

*Risque de brûlure provoquée par l'eau chaude ! Après l'utilisation de l'appareil avec de l'eau chaude, ce dernier doit être actionné, pistolet ouvert, au minimum deux minutes avec de l'eau froide afin de le faire refroidir.*

- Couper l'alimentation en eau.
- Ouvrir le pistolet manuel.

- Activer la pompe à l'aide de l'interrupteur principal et laisser tourner 5 à 10 secondes.
- Fermer la poignée-pistolet.
- Positionner l'interrupteur sur '0/OFF'.
- En veillant à avoir les mains bien sèches, débrancher la fiche secteur.
- Déconnecter l'arrivée d'eau.
- Actionner la poignée-pistolet jusqu'à ce que l'appareil soit hors pression.
- Sécuriser le pistolet de pulvérisation à main en poussant le loquet de sécurité vers l'avant.

## Ranger l'appareil

- Enficher la poignée-pistolet dans le support.
- Enrouler le flexible haute pression et l'accrocher sur la dépose du flexible.
- Enrouler le câble d'alimentation autour de l'attache-câbles.
- Fixer la fiche électrique avec le clip monté.

## Protection antigel

### **ATTENTION**

*Risque d'endommagement ! Le gel peut endommager l'appareil si l'eau n'a pas été intégralement vidée.*

- Stocker l'appareil dans un lieu à l'abri du gel.

Si l'appareil est relié à une cheminée, respecter les instructions suivantes :

### **ATTENTION**

*Risque d'endommagement provoqué par une infiltration d'air froid via la cheminée.*

- Si la température extérieure descend en dessous de 32 °F/0 °C, débrancher l'appareil de la cheminée.

Si'il n'est pas possible de le conserver dans un endroit protégé du gel, remiser l'appareil.

## Remisage

En cas d'interruption de longue durée ou s'il n'est pas possible de conserver l'appareil dans un lieu protégé du gel :

- Purger l'eau.
- Rincer l'appareil au moyen de produit antigel.

## Purger l'eau

- Dévisser le tuyau d'alimentation en eau et le flexible haute pression.

### Illustration 6

- Poser l'appareil sur le dos.
- Faire tourner l'appareil 1 minute au maximum en mode eau froide, jusqu'à ce que la pompe et les conduites soient entièrement vides.

## Rincer l'appareil au moyen de produit antigel

**Remarque :** Respecter les consignes d'utilisation du fabricant du produit antigel.

- Verser un produit antigel du commerce dans le raccord d'eau.
- Mettre l'appareil sous tension (sans brûleur) jusqu'à ce que celui-ci soit intégralement rincé.

Cette opération permet en outre de bénéficier d'une certaine protection anticorrosion.

## Entreposage

### ⚠ PRÉCAUTION

*Risque de blessure et d'endommagement ! Prendre en compte le poids de l'appareil à l'entreposage.*

## Transport

### ⚠ DANGER

*Risque de blessure ! Risque de basculement en cas d'inclinaison trop prononcée, d'inclinaison latérale trop importante ou de sol instable.*

- Ne déplacer l'appareil que sur des pentes d'au maximum 2 %.
- N'utilisez la machine que sur des sols stabilisés.

### ATTENTION

*Protéger le levier de départ contre tout endommagement lors de son transport.*

### ⚠ PRÉCAUTION

*Risque de blessure et d'endommagement ! Respecter le poids de l'appareil lors du transport.*

- Avant le transport, mettre l'appareil sur le dos et laisser l'eau résiduelle s'évacuer.

- Pour transporter l'appareil sur de plus longues distances, le tirer derrière soi au moyen du guidon de poussée.
- Pour porter l'appareil, le saisir au niveau des poignées et du guidon de poussée.
- Sécuriser l'appareil contre les glissements ou les basculements selon les directives en vigueur lors du transport dans des véhicules.

## Entretien et maintenance

### ⚠ DANGER

*Risque de blessure et de choc électrique par un démarrage inopiné de l'appareil. Avant d'effectuer des travaux sur l'appareil, couper l'interrupteur principal et débrancher la fiche secteur.*

- Couper l'alimentation en eau.
- Ouvrir le pistolet manuel.
- Activer la pompe à l'aide de l'interrupteur principal et laisser tourner 5 à 10 secondes.
- Fermer la poignée-pistolet.
- Positionner l'interrupteur sur '0/OFF'.
- En veillant à avoir les mains bien sèches, débrancher la fiche secteur.
- Déconnecter l'arrivée d'eau.
- Actionner la poignée-pistolet jusqu'à ce que l'appareil soit hors pression.
- Sécuriser le pistolet de pulvérisation à main en poussant le loquet de sécurité vers l'avant.
- Laisser refroidir l'appareil.

## Inspection de sécurité/Contrat d'entretien

Vous pouvez accorder avec votre commerçant une inspection de sécurité régulière ou passer un contrat d'entretien. Conseil-lez-vous.

## Fréquence de maintenance

### Hebdomadairement

- Nettoyer le filtre dans le raccord d'eau.

### Mensuellement

- Nettoyer le filtre situé sur le tuyau d'aspiration de détergent.

## Toutes les 500 heures de service, au moins une fois par an.

- Faire effectuer la maintenance de l'appareil par le service après-vente.

### Travaux de maintenance

**Remarque :** La vidange d'huile au niveau de la pompe haute pression n'est pas nécessaire.

### Nettoyer le filtre dans le raccord d'eau.

- Retirer le filtre.
- Nettoyer le filtre dans l'eau puis le remettre en place.

### Nettoyer le filtre situé sur le tuyau d'aspiration de détergent

- Nettoyer le filtre dans l'eau puis le remettre en place.

## Assistance en cas de panne

### ⚠ DANGER

*Risque de blessure et de choc électrique par un démarrage inopiné de l'appareil. Avant d'effectuer des travaux sur l'appareil, couper l'interrupteur principal et débrancher la fiche secteur.*

### L'appareil ne fonctionne pas

- Pas de tension secteur
- Contrôler le raccordement au réseau/le câble électrique.
- Le moteur est excessivement sollicité/ en surchauffe
- Positionner l'interrupteur sur '0/OFF'.
- Laisser refroidir l'appareil.
- Allumer l'appareil.
- Si la panne réapparaît, faire vérifier l'appareil par le service après-vente.
- Le limiteur de température des gaz d'échappement s'est déclenché, serpentin de chauffage calaminé.
- Faire nettoyer l'appareil par le service après-vente.
- Le limiteur de température des gaz d'échappement s'est déclenché, température excessive des gaz d'échappement.
- Positionner l'interrupteur sur '0/OFF'.

- Laisser refroidir l'appareil.
- Seulement pour les appareils avec remise à zéro manuelle :  
Illustration 7  
Accioner le poussoir d'attention du limiteur de la température de tuyère.
- Allumer l'appareil.
- Si la panne réapparaît, faire vérifier l'appareil par le service après-vente.

### L'appareil n'établit aucune pression

- Présence d'air dans le système  
Purger la pompe :
  - En gardant la poignée-pistolet ouverte, mettre plusieurs fois l'appareil hors et sous tension.

**Remarque :** lorsque la lance du pistolet manuel est démontée, le processus de purge est accéléré.

- Remplir/remplacer le réservoir de détergent externe, s'il est vide.
- Contrôler les raccords et les conduites.
- Colmatage du filtre dans le raccord d'eau.
- Nettoyer le filtre.
- Le débit de l'alimentation en eau est trop faible
- Contrôler le débit de l'alimentation en eau (voir la section Caractéristiques techniques).
- Robinet d'eau fermé.
- Ouvrir le robinet d'eau.

### Lorsque la poignée-pistolet est ouverte, l'appareil ne cesse de se mettre sous et hors tension

- Présence d'air dans le système  
Purger la pompe :
  - En gardant la poignée-pistolet ouverte, mettre plusieurs fois l'appareil hors et sous tension.

**Remarque :** lorsque la lance du pistolet manuel est démontée, le processus de purge est accéléré.

- Buse de haute pression bouchée
- Nettoyer la buse.
- Serpentin de chauffage entartré
- Faire détartrer l'appareil par le service après-vente.

### Lorsque la poignée-pistolet est fermée, l'appareil ne cesse de se mettre sous et hors tension

- Présence d'une fuite dans le système haute pression
- ➔ Vérifier l'absence de fuite au niveau du système haute pression et des raccords.

### L'appareil présente un fuit, de l'eau s'écoule de l'appareil par le bas

- Manque d'étanchéité de la pompe, fuite de la soupape de sécurité.

**Remarque :** Une fuite de 3 gouttes/minute est autorisée.

- ➔ En cas de fuite plus importante, faire vérifier l'appareil par le service après-vente.

### L'appareil n'aspire pas de détergent

- L'injecteur est réglé à "Haute pression"
- ➔ Placer l'injecteur sur la position "CHEM".
- Le réservoir de détergent externe est vide.
- ➔ Remplir/remplacer le réservoir de détergent externe.
- Filtre situé sur le flexible d'aspiration de détergent encrassé
- ➔ Nettoyer le filtre.

Illustration **8**

- Le clapet anti-retour est collé
- ➔ Démontez le tuyau de détergent et dévissez le clapet anti-retour à l'aide d'un objet non contondant.

### Le brûleur ne s'allume pas

- Le réservoir de combustible est vide.
- ➔ Remplissage du combustible.
- Manque d'eau
- ➔ Contrôler le raccord d'eau, contrôler les conduites d'alimentation
- Température d'arrivée d'eau trop élevée.
- ➔ Alimenter de l'eau chaude à 86 °F/ 30 °C maxi.

Illustration **9**

- Le filtre à combustible est encrassé
- ➔ Remplacer le filtre à combustible.

### Service après-vente

Si la panne ne peut être réparée, l'appareil doit être contrôlé par le service après-vente.

### Garantie

Dans chaque pays, les conditions de garantie en vigueur sont celles publiées par notre société de distribution responsable. Les éventuelles pannes sur l'appareil sont réparées gratuitement dans le délai de validité de la garantie, dans la mesure où celles-ci relèvent d'un défaut matériel ou d'un vice de fabrication. En cas de recours en garantie, adressez-vous à votre revendeur ou au service après-vente agréé le plus proche munis de votre preuve d'achat.

### Accessoires et pièces de rechange

N'utiliser que des accessoires et pièces de rechange d'origine, ils garantissent le bon fonctionnement de l'appareil.

Vous trouverez des informations relatives aux accessoires et pièces de rechange sur [www.kaercher.com](http://www.kaercher.com).

## Caractéristiques techniques

		HDS 1.7/12 U Ed
<b>Raccordement au secteur</b>		
Tension	V	110-120
Type de courant	Hz	1~ 60
Puissance de raccordement	hp	2.3
Protection (à action retardée)	A	15
Type de protection	--	IPX5
Classe de protection	--	I
<b>Arrivée d'eau</b>		
Température d'alimentation (max.)	°F (°C)	86 (30)
Débit d'alimentation (min.)	gpm (l/min)	2.5 (9.5)
Hauteur d'aspiration à partir du réservoir ouvert (68 °F/20 °C)	ft (m)	1.6 (0.5)
Pression d'alimentation (max.)	psi (MPa)	87 (0.6)
Diamètre du tuyau d'alimentation (min.)	Pouces	1/2
Longueur du tuyau d'alimentation (min.)	ft (m)	24.6 (7.5)
<b>Performances</b>		
Débit d'eau	gpm (l/min)	1.7 (6.5)
Pression de service de l'eau (avec buse standard)	psi (MPa)	1200 (8.3)
Pression maximale de marche (clapet de sécurité)	psi (MPa)	1700 (12)
Température de service max de l'eau chaude	°F (°C)	176 (80)
Aspiration de détergent	gpm (l/min)	0-0.13 (0-0.5)
Puissance du brûleur	kW	23
Consommation maximale de fuel:	kg/h	2.3
Force de réaction max. de la poignée-pistolet	N	15
Taille de la buse standard	--	032
<b>Valeurs déterminées selon EN 60335-2-79</b>		
Émission sonore		
Niveau de pression acoustique $L_{pA}$	dB(A)	76
Incertitude $K_{pA}$	dB(A)	3
Niveau de pression acoustique $L_{WA}$ + incertitude $K_{WA}$	dB(A)	94
Valeur de vibrations bras-main		
Poignée-pistolet	m/s <sup>2</sup>	2.4
Lance	m/s <sup>2</sup>	1.4
Incertitude K	m/s <sup>2</sup>	0.3
<b>Carburants</b>		
Combustible	--	Fuel EL ou diesel
Quantité d'huile	gal (l)	0.03 (0.1)
Types d'huile	--	Huile moteur 0W40 (6.288-219)
<b>Dimensions et poids</b>		
Longueur x largeur x hauteur	in (mm)	24.3 x 24.3 x 39.0 (618 x 618 x 994)
Poids de fonctionnement typique	lbs (kg)	154.3 (70)
Réservoir à combustible	gal (l)	1.7 (6.5)

## INSTRUCCIONES IMPORTANTES DE SEGURIDAD

### **△ ADVERTENCIA**

*Al utilizar este producto, tome siempre las precauciones básicas, incluidas las siguientes:*

- 1 Lea todas las instrucciones antes de usar el producto.
- 2 Los aparatos a alta presión pueden resultar peligrosos si se usan de forma incorrecta. No se debe dirigir el aparato a personas, animales, dispositivos eléctricos o la equipo mismo.
- 3 Para reducir el riesgo de lesiones, es preciso vigilar atentamente si se usa el producto cerca de niños.
- 4 Es necesario saber cómo parar rápidamente el producto y parar hemorragias. Estar familiarizado con los mandos.
- 5 Estar atento, prestar atención a lo que se está haciendo.
- 6 Utilizar gafas de seguridad.
- 7 No usar ácidos, alcalinos, disolventes, o cualquier material inflamable con este producto. Estos productos pueden causar heridas físicas al operario y daños irreparables a la máquina.
- 8 No ponga en funcionamiento el producto si está cansado o está bajo la influencia de alcohol o drogas.
- 9 No sobrecargar o colocar sobre un soporte inestable. Mantener el equilibrio en todo momento.
- 10 Para reducir el riesgo de electrocución, mantenga todas las conexiones secas y alejadas del suelo. No toque el enchufe con las manos mojadas.
- 11 El seguro del gatillo de la pistola evita que el gatillo salte de forma involuntaria. El dispositivo de seguridad NO bloquea el gatillo en la posición ON (encendido).
- 12 Mantenga la zona de trabajo libre de personas.
- 13 Cierre la cubierta antes de operar con la máquina.
- 14 Este aparato está diseñado para uso comercial.
- 15 Seguir las instrucciones de mantenimiento especificadas en el manual.
- 16 Esta máquina ha sido diseñada para su uso con los agentes químicos de limpieza provistos o recomendados por el fabricante. El uso de otros agentes químicos de limpieza puede afectar al funcionamiento de la máquina y extinguir la garantía.
- 17 Este producto se suministra con un interruptor de circuito de avería por puesta a tierra, que está montado en el enchufe del cable de potencia. Si es necesario reemplazar el enchufe o el cable, utilice sólo piezas de repuesto idénticas.
- 18 No se debe usar el cable de extensión para esta máquina.
  - Riesgo de inyección: el equipo puede causar graves lesiones si el spray penetra en la piel. No dirija la pistola hacia nadie ni a ninguna parte del cuerpo. En caso de penetración, busque ayuda médica de inmediato.
  - Este sistema puede rendir 1200 psi/ 8.3 MPa. Para evitar roturas y lesiones no opere esta bomba con componentes clasificados por debajo de los 1200 psi/ 8.3 MPa de presión de trabajo (incluyendo, pero sin limitarse a, pistolas de spray, mangueras y conexiones de manguera).
  - Antes de usar, limpiar o quitar cualquier pieza, desconecte el fluido eléctrico y libere presión.
  - No pulverice sobre ningún aparato o cable eléctrico.
  - Alta presión. Manténgase lejos de la boquilla.
  - Si la conexión se hace con un sistema de agua potable, se debe proteger el sistema contra reflujos.

## Responsabilidades del propietario/ usuario

- El propietario y/o el usuario deben comprender bien las instrucciones de servicio y advertencias del fabricante antes de empezar a utilizar este limpiador de alta presión.
- Debe prestarse especial atención y tener muy claras las advertencias.
- Si el operador no habla bien el español, el propietario/comprador debe responsabilizarse de leer y comentar las instrucciones y las advertencias en su lengua natal, y asegurarse de que entienda a la perfección su contenido.
- El propietario y/o el usuario deben leer y guardar como referencia para el futuro las instrucciones del fabricante.

## INSTRUCCIONES DE PUESTA A TIERRA

Este producto se tiene que poner a tierra. Si funcionase mal o si se rompiese, la puesta a tierra proporcionaría un circuito menos resistente a la energía eléctrica para reducir el riesgo de electrochoque. Este producto está equipado con un cable que tiene un conductor a tierra y un enchufe a tierra para el equipo. El enchufe se tiene que enchufar a un tomacorriente adecuado, que esté correctamente instalado y puesto a tierra conforme a todas las normas y reglamentos locales.

### **⚠ PELIGRO**

*Si la conexión del conductor a tierra del equipo es incorrecta puede existir riesgo de electrochoque. En caso de duda, compruebe con ayuda de un electricista cualificado o del personal del servicio técnico que el tomacorriente está correctamente puesto a tierra. No modifique el enchufe proporcionado con el producto; si no encaja en el tomacorriente, pida a un electricista cualificado que le instale un tomacorriente adecuado. No utilice ningún tipo de adaptador con este producto.*

## PROTECCIÓN MEDIANTE INTERRUPTOR DE CIRCUITO DE AVERÍA POR PUESTA A TIERRA

Este producto se suministra con un interruptor de circuito de avería por puesta a tierra montado en el enchufe del cable de potencia. Este aparato proporciona una protección adicional contra el riesgo de electrochoque. Si la corriente se interrumpe en la línea, el interruptor de circuito de avería por puesta a tierra volverá a cerrar, automáticamente, el circuito a la carga una vez restablecida la corriente. En función del modelo de interruptor, puede que sea necesario tener que poner en funcionamiento el aparato manualmente mediante el botón de reinicio para restaurar la corriente del circuito de carga del interruptor de circuito de avería por puesta a tierra. Si es necesario reemplazar el enchufe o el cable, utilice piezas idénticas.

## SUMINISTRO DE AGUA

### △ ATENCIÓN

*Al conectar la toma de agua a la red de suministro del agua, es obligatorio respetar la normativa local establecida por la compañía del agua. En algunas zonas, está prohibido conectar la unidad directamente a la red pública de suministro de agua potable. Esto es así para garantizar que no penetren sustancias químicas en la red de suministro del agua. Sí se permite efectuar la conexión directamente por ejemplo a través de un depósito receptor o un dispositivo antirretorno.*

*Conectar el separador del sistema siempre a la toma de agua, nunca directamente al aparato!*

*Si el agua de alimentación está sucia, la unidad sufrirá daños. Para evitar este riesgo, le recomendamos que monte un filtro de agua.*

- La manguera del jardín debe tener al menos un diámetro de 1/2 pulgadas.
- El índice de flujo de agua no deben ser inferior a 2.5 GPM (galones por minuto).
- El índice de flujo se puede determinar si se deja correr el agua durante un minuto en un bidón de 5 galones.
- La temperatura de agua no debe exceder los 86°F/30°C.
- No usar la limpiadora de alta presión para agua contaminada con disolventes, por ejemplo para diluir pintura, gasolina, aceite etc.
- Evitar que entren escombros en la unidad, para ello use una fuente de agua limpia. Use un filtro adicional de agua.

**CONSERVE ESTAS INSTRUCCIONES!**





Antes del primer uso de su aparato, lea este manual original, actúe de acuerdo a sus indicaciones y guárdelo para un uso posterior o para otro propietario posterior.

- ¡Antes de la primera puesta en marcha lea sin falta las instrucciones de uso y las instrucciones de seguridad n.º 5.951-949.0!
- En caso de daños de transporte informe inmediatamente al fabricante.
- Comprobar el contenido del paquete al desembalar. Consultar el contenido en la imagen 1.

## Índice de contenidos

Protección del medio ambiente	ES	1
Niveles de peligro	ES	1
Elementos del aparato	ES	2
Símbolos en el aparato	ES	2
Uso previsto	ES	2
Indicaciones de seguridad	ES	3
Dispositivos de seguridad	ES	3
Puesta en marcha	ES	4
Instrucciones del Interruptor de Circuito de Avería por Puesta a Tierra	ES	5
Manejo	ES	5
Almacenamiento	ES	8
Transporte	ES	8
Cuidados y mantenimiento	ES	8
Ayuda en caso de avería	ES	9
Garantía	ES	10
Accesorios y piezas de repuesto	ES	10
Datos técnicos	ES	11

## Protección del medio ambiente



Los materiales empleados para el embalaje son reciclables y recuperables. No tire el embalaje a la basura doméstica y entréguelo en los puntos oficiales de recogida para su reciclaje o recuperación.



Los aparatos viejos contienen materiales valiosos reciclables que deberían ser entregados para su aprovechamiento posterior. Evite el contacto de baterías, aceites y materias semejantes con el medio ambiente. Por este motivo, entregue los aparatos usados en los puntos de recogida previstos para su reciclaje.

Por favor, no deje que el aceite para motores, el aceite caliente y la gasolina dañen el medio ambiente. Evite que sustancias nocivas penetren en el suelo y elimine el aceite usado de forma que no dañe el medio ambiente.

## Indicaciones sobre ingredientes (REACH)

Encontrará información actual sobre los ingredientes en:

[www.kaercher.com/REACH](http://www.kaercher.com/REACH)

## Niveles de peligro

### ⚠ PELIGRO

*Aviso sobre un riesgo de peligro inmediato que puede provocar lesiones corporales graves o la muerte.*

### ⚠ ADVERTENCIA

*Aviso sobre una situación probablemente peligrosa que puede provocar lesiones corporales graves o la muerte.*

### ⚠ PRECAUCIÓN

*Indicación sobre una situación que puede ser peligrosa, que puede acarrear lesiones leves.*

### ⚠ CUIDADO

*Aviso sobre una situación probablemente peligrosa que puede provocar daños materiales.*

## Elementos del aparato

### Figura 1

- 1 Manguera de alta presión EASY!Lock
- 2 Portacables
- 3 Abertura de llenado para combustible
- 4 Indicador de nivel
- 5 Soporte para boquillas
- 6 Conexión eléctrica
- 7 Bomba de alta presión
- 8 Set de toma de agua
- 9 Conexión de alta presión EASY!Lock
- 10 Soporte de la lanza dosificadora
- 11 Toma de agua con filtro
- 12 Apoyo
- 13 Asa de transporte
- 14 Capó del aparato
- 15 Interruptor del aparato
- 16 Quemador
- 17 Soporte para la lanza dosificadora
- 18 Manguera de detergente con filtro
- 19 Placa de características
- 20 Cierre del capó
- 21 Soporte para manguera
- 22 Estribo de empuje
- 23 Marca de la boquilla
- 24 Boquilla triple EASY!Lock
- 25 Tubo pulverizador EASY!Lock
- 26 Pistola pulverizadora EASY!Force
- 27 Bloque de seguridad de la pistola pulverizadora manual
- 28 Palanca de seguro
- 29 Palanca de disparo

### Identificación por colores

- Los elementos de control para el proceso de limpieza son amarillos.
- Los elementos de control para el mantenimiento y el servicio son de color gris claro.

## Símbolos en el aparato



Los chorros a alta presión pueden ser peligrosos si se usan indebidamente. No dirija el chorro hacia personas, animales o equipamiento eléctrico activo, ni apunte con él al propio aparato. La limpiadora de alta presión solo se puede utilizar en vertical.

## Uso previsto

- Limpieza de: Máquinas, vehículos, edificios, fachadas, terrazas, herramientas de jardín, etc.
- La limpiadora a alta presión sólo se puede operar en vertical.
- No deje nunca el aparato sin vigilancia mientras esté en funcionamiento.

### ⚠ PELIGRO

¡Peligro de lesiones! Cuando se utilice en gasolineras u otras zonas de peligro deberán tenerse en cuenta las instrucciones de seguridad.

Las aguas residuales que contengan aceite no deben penetrar en el suelo ni verterse en aguas naturales o en el sistema de canalización. Por ello, el lavado de motores y el lavado de los bajos sólo debe realizarse en lugares adecuados con un separador de aceite.

### Requisitos para la calidad del agua:

#### **CUIDADO**

Sólo se puede utilizar agua limpia como medio de alta presión. La suciedad provoca desgaste prematuro o sedimentos en el aparato y los accesorios.

Si se utiliza agua reciclada, no se pueden superar los siguientes límites.

Valor pH	6,5...9,5
Conductividad eléctrica *	Conductividad agua fresca +1200 µS/cm
sustancias que se pueden depositar **	< 0,5 mg/l
Sustancias que se pueden filtrar ***	< 50 mg/l
Hidrocarburos	< 20 mg/l
Cloruro	< 300 mg/l
Sulfato	< 240 mg/l
Calcio	< 200 mg/l
Dureza total	< 28 °dH < 50 °TH < 500 ppm (mg CaCO <sub>3</sub> /l)
Hierro	< 0,5 mg/l
Manganeso	< 0,05 mg/l
Cobre	< 2 mg/l
Cloro activo	< 0,3 mg/l
sin olores desagradables	
* Máximo total 2000 µS/cm	
** Volumen de prueba 1 l, tiempo de sedimentación 30 min	
*** sin sustancias abrasivas	

## Indicaciones de seguridad

PROPOSITION 65

ADVERTENCIA

Los humos de escape de este quemador contienen productos químicos que según el Estado de California pueden causar cáncer, defectos de nacimiento o reproducción.

- *Respetar las normativas vigentes nacionales correspondientes para eyectores de líquidos.*
- *Respetar las normativas vigentes nacionales correspondientes de prevención de accidentes. Los eyectores de líquidos deben ser examinados regularmente y tiene que guardarse una copia escrita de la revisión.*

- *El dispositivo calefactor del aparato es una instalación calefactora. Las instalaciones calefactoras deben revisarse regularmente según las normativas nacionales correspondientes.*
- *No se debe efectuar ningún tipo de modificación en el aparato/accesorios.*

## Dispositivos de seguridad

La función de los dispositivos de seguridad es proteger al usuario y está prohibido ponerlos fuera de servicio y modificar o ignorar su funcionamiento.

### Presóstato

El presóstato desconecta el aparato al cerrarse la pistola pulverizadora manual y al abrirse lo vuelve a conectar.

### Válvula de seguridad

- La válvula de seguridad se abre cuando hay sobrepresión en la caldera o la válvula de rebose o el presóstato están defectuosos.
- La válvula de seguridad ha sido ajustada y precintada en fábrica. El ajuste lo debe realizar solamente el servicio postventa.

### Dispositivo de seguridad contra el funcionamiento en seco

El dispositivo de seguridad contra el funcionamiento en seco evita que el quemador se conecte en caso de falta de agua.

### Limitador de la temperatura de gas de escape

El limitador de la temperatura de gas de escape apaga el aparato al alcanzar una temperatura de gas de escape demasiado alta.

### Contacto de protección de arrollamiento

El contacto de protección de arrollamiento en el arrollamiento del accionamiento de la bomba apaga el motor en caso de sobrecarga térmica.

## Muesca de seguridad

La muesca de seguridad de la pistola pulverizadora manual impide una conexión involuntaria del aparato.

## Puesta en marcha

### ⚠ **ADVERTENCIA**

*¡Riesgo de lesiones! El aparato, los accesorios, los tubos de alimentación y las conexiones deben estar en perfecto estado. Si no están en perfecto estado, no deben utilizarse.*

## Montar la pistola pulverizadora manual, lanza dosificadora, boquilla y manguera de alta presión

**Aviso:** El sistema EASY!Lock conecta componentes de forma rápida y segura mediante una rosca rápida con tan solo una vuelta.

- ➔ Conectar el tubo pulverizador con la pistola pulverizadora y apretar a mano (EASY!Lock).
- ➔ Monte la boquilla en el tubo pulverizador (la marca del aro de apoyo tiene que estar arriba) y apretar con la mano (EASY!Lock).
- ➔ Conectar la manguera de alta presión con la pistola pulverizadora y la conexión de alta presión del aparato y apretar a mano (EASY!Lock).

## Llenar de combustible

### ⚠ **PELIGRO**

*Peligro de explosiones. Llenar sólo con gasóleo o fuel ligero. Es posible el funcionamiento con biodiésel conforme a la norma EN 14214 (a partir de una temperatura exterior de 43 °F/6 °C). No deben emplearse combustibles inadecuados como por ejemplo gasolina.*

### **CUIDADO**

*Peligro de daños El equipo no debe ponerse en funcionamiento nunca con el depósito de combustible vacío. De lo contrario, se estropeará la bomba de combustible. Esto también se aplica durante el funcionamiento con agua fría.*

- ➔ Abra la tapa del depósito.
- ➔ Llenar de combustible.
- ➔ Cerrar la tapa del depósito.
- ➔ Limpiar el combustible que se haya vertido.

## Rellenar o cambiar el recipiente de detergente

### ⚠ **PELIGRO**

*¡Peligro de lesiones!*

- Utilizar sólo productos Kärcher.
- No aspirar en ningún caso disolvente (gasolina, acetona, diluyente, etc.).
- Evite el contacto con los ojos y la piel.
- Tenga en cuenta las instrucciones de seguridad y uso del fabricante del detergente.

## Kärcher ofrece un programa individual de limpieza y mantenimiento.

Su comercial le asesorará con mucho gusto.

- ➔ Rellenar o cambiar la botella de detergente externa.

## Conexión de agua

Valores de conexión, ver datos técnicos.

- ➔ Fijar la manguera de alimentación (largor máximo 24.6 ft/7.5 m, diámetro máximo 1/2") con brida de manguera al set de la toma de agua.
- ➔ Conectar la tubería de abastecimiento a la conexión de agua del aparato y a la alimentación de agua (como el grifo).

**Indicación:** La manguera de alimentación y la brida para mangueras no vienen incluidas.

## Aspirar agua del depósito

- ➔ Conectar la manguera de aspiración (diámetro mínimo 1/2") con filtro (accesorios) a la toma de agua.
- Altura máxima de aspiración: 1.6 ft (0.5 m)

## **⚠ PELIGRO**

*¡Peligro de lesiones y daños! No aspire nunca agua de un depósito de agua potable. No aspire nunca líquidos que contengan disolventes como diluyente de laca, gasolina, aceite o agua sin filtrar. Las juntas en el aparato no son resistentes a los disolventes. La neblina pulverizada de los disolventes es altamente inflamable, explosiva y tóxica.*

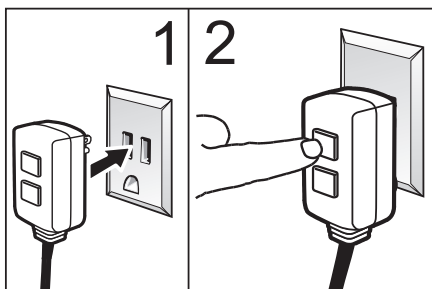
### **Toma de corriente**

- Valores de conexión: véase la placa de características y datos técnicos.
- La conexión eléctrica debe ser realizada por un electricista y cumplir la norma CEI 60364-1.
- ➔ Ponga el interruptor del aparato en "0/ OFF".
- ➔ Enchufe la clavija de red.

### **Instrucciones del Interruptor de Circuito de Avería por Puesta a Tierra**

- ➔ **PASO 1:** Enchufe el interruptor de circuito de avería por puesta a tierra a un tomacorriente de servicio.
- ➔ **PASO 2:** Presione "TEST" (PRUEBA) y, después, presione "RESET" (REINICIO) para asegurarse de que la conexión a la toma de energía eléctrica es correcta.

Nota: El aspecto actual del interruptor de circuito de avería por puesta a tierra puede ser distinto al de la ilustración.



## **Manejo**

### **⚠ PELIGRO**

*¡Peligro de explosiones! No pulverizar líquidos combustibles.*

### **⚠ PELIGRO**

*¡Peligro de lesiones! No utilizar el aparato nunca sin la lanza dosificadora sin montar. Comprobar que la lanza dosificadora está bien colocada antes de cada uso. La rosca de la lanza dosificadora debe estar bien apretada con la mano.*

### **⚠ PELIGRO**

*¡Riesgo de lesiones! Durante el trabajo sujete con firmeza con las dos manos la pistola pulverizadora y el tubo pulverizador.*

### **⚠ PELIGRO**

*¡Riesgo de lesiones! Durante el funcionamiento, la palanca de disparo y la palanca de fijación no deben estar bloqueadas.*

### **⚠ PELIGRO**

*¡Riesgo de lesiones! Si la palanca de fijación está dañada, llamar al servicio técnico.*

### **CUIDADO**

- Peligro de daños El equipo no debe ponerse en funcionamiento nunca con el depósito de combustible vacío. De lo contrario, se estropeará la bomba de combustible. Esto también se aplica durante el funcionamiento con agua fría.
- Peligro de daños No operar nunca el equipo sin filtro en la conexión de agua.
- Peligro de daños No colocar objetos (manguera etc.) en la chimenea o sobre ella.

### **Abrir/cerrar capó del aparato**

#### **Figura 2**

- ➔ Desbloquear el cierre del capó con un destornillador. Abatir el capó del aparato hacia delante y dejarlo colgando.

#### **Figura 3**

- ➔ Colgar el capó del aparato (véase las flechas), abatir hacia arriba y encajar el cierre del capó.

## Abrir/cerrar la pistola pulverizadora

- Abrir la pistola pulverizadora: Accionar la palanca de fijación y la palanca de disparo.
- Cerrar la pistola de pulverización: Soltar la palanca de fijación y la palanca de disparo.

## Cambiar las boquillas

### ⚠ PELIGRO

*¡Riesgo de lesiones! Desconectar el aparato antes de cambiar la boquilla y accionar la pistola pulverizadora hasta que el aparato se quede sin presión.*

- Asegurar la pistola pulverizadora empujando la palanca de fijación hacia delante.
- Sustituir la boquilla.

## Tipos de servicio

Figura 4

0/OFF = OFF

- 1 Servicio con agua fría
- 2 Servicio con agua caliente

## Conexión del aparato

- Ajustar el interruptor del aparato al modo de servicio deseado.

El aparato se pone en marcha brevemente y se desconecta en cuanto se ha alcanzado la presión de trabajo.

- Quitar el seguro de la pistola pulverizadora empujando la palanca de fijación hacia atrás.

Al accionar la pistola pulverizadora manual se vuelve a encender el aparato.

**Nota:** Si no sale agua de la boquilla de alta presión, purgue el aire de la bomba.

Purgar el aire de la bomba:

- Cuando la pistola pulverizadora está abierta conecte y desconecte el aparato varias veces con el interruptor principal.




**Nota:** Al desmontar la lanza dosificadora de la pistola pulverizadora manual se acelera el proceso de purga de aire.

## Interrupción del funcionamiento

- Soltando la palanca de disparo se apaga el equipo.  
Asegurar la pistola pulverizadora empujando la palanca de fijación hacia delante.
- Quitar el seguro de la pistola pulverizadora empujando la palanca de fijación hacia atrás.  
Tirando de nuevo de la palanca de disparo, el equipo se enciende de nuevo.

## Selección del tipo de chorro

- Cerrar la pistola de pulverización manual.
- Asegurar la pistola pulverizadora empujando la palanca de fijación hacia delante.
- Girar la carcasa de la boquilla hasta que coincida en símbolo deseado con la marca:

	Chorro circular de alta presión (0°) para suciedad especialmente resistente
	Chorro plano de baja presión (CHEM) para el uso con detergentes o para limpiar a una tensión baja.
	Chorro plano de alta presión (25°) para áreas sucias muy amplias.

## Funcionamiento con detergente

- Utilice los detergentes con moderación para no perjudicar el medio ambiente.
- El detergente debe ser apropiado para la superficie que se ha de limpiar.

Figura 5

- Saque la manguera de aspiración de detergente.
- Gire el filtro en la manguera de aspiración de detergente para dosificar el detergente.
- Cuelgue la manguera de detergente en un depósito que contenga una solución de detergente.
- Coloque la boquilla en la posición "CHEM".

## Limpieza

- Ajustar la concentración de detergente en función de la superficie a limpiar.

**Nota:** Dirigir primero el chorro a alta presión desde una mayor distancia hacia el objeto a limpiar, con el fin de evitar causar daños por una presión demasiado alta.

### Método de limpieza recomendado

- disolución de la suciedad
- Rociar con detergente con moderación y dejar actuar 1...5 minutos pero sin dejar secar.
- eliminación de la suciedad
- Aplicar el chorro de agua a alta presión sobre la suciedad disuelta para eliminarla.

## Servicio con agua fría

Eliminación de suciedades ligeras y enjuague de, por ejemplo: aparejos de jardín, terrazas, herramientas, etc.

- Colocar el interruptor principal en la posición "1".

## Servicio con agua caliente

### ⚠ PELIGRO

*Existe peligro de escaldamiento*

- Colocar el interruptor principal en la posición "2".

## Después del funcionamiento con detergente

- Girar totalmente el filtro en la manguera de aspiración de detergente (-).
- Colocar el interruptor principal en la posición "1".
- Enjuagar el aparato con la pistola pulverizadora abierta durante al menos 1 minuto.

## Desconexión del aparato

### ⚠ PELIGRO

*Peligro de escaldamiento por agua caliente. Después del servicio con agua caliente, se debe enfriar el equipo con agua fría durante al menos dos minutos con la pistola abierta.*

- Cerrar el abastecimiento de agua.
- Abrir la pistola pulverizadora manual.
- Conectar la bomba con el interruptor de equipo y dejar en marcha 5-10 segundos.
- Cerrar la pistola de pulverización manual.
- Ponga el interruptor del aparato en "0/ OFF".
- Sacar el enchufe de la toma de corriente sólo con las manos secas.
- Retirar la conexión de agua.
- Poner en funcionamiento la pistola pulverizadora manual hasta que no quede presión en el aparato.
- Asegurar la pistola pulverizadora empujando la palanca de fijación hacia delante.

## Almacenamiento del aparato

- Introducir la pistola pulverizadora manual en el soporte.
- Enrollar la manguera de alta presión y colgar sobre el soporte de manguera.
- Enrollar el cable de conexión alrededor del soporte de cable.
- Fijar el enchufe con el clip montado.

## Protección antiheladas

### CUIDADO

*¡Riesgo de daños! El hielo deteriora el aparato si éste no se ha vaciado por completo de agua.*

- Coloque el aparato en un lugar a salvo de las heladas.

Si el aparato está conectado a una chimenea deberá tenerse en cuenta lo siguiente:

### CUIDADO

*Peligro de sufrir daños a causa del aire frío que penetra a través de la chimenea.*

- Mantener el aparato a salvo de las temperaturas exteriores por debajo de 32 °F/0 °C.

Si no es posible el almacenamiento libre de heladas, pare el aparato.

## Parada

En largos periodos de inactividad o cuando no sea posible el almacenamiento a salvo del hielo:

- Dejar salir agua.
- Enjuagar el aparato con anticongelante.

## Dejar salir agua

- Desatornillar la manguera de abastecimiento de agua y la manguera a alta presión.

Figura 6

- Colocar el aparato sobre la parte trasera.
- Dejar en marcha el aparato durante 1 minuto como máximo en funcionamiento en frío hasta que la bomba y los conductos estén vacíos.

## Enjuagar el aparato con anticongelante

**Nota:** Tener en cuenta las instrucciones de uso del fabricante del anticongelante.

- Añadir a la toma de agua un anticongelante de los habituales en el mercado.
- Encender el aparato (sin quemador), hasta que está totalmente enjuagado.

De este modo se conseguirá una protección segura contra la corrosión.

## Almacenamiento

### ⚠ PRECAUCIÓN

*¡Peligro de lesiones y daños! Respetar el peso del aparato en el almacenamiento.*

## Transporte

### ⚠ PELIGRO

*Riesgo de lesiones Hay riesgo de vuelco en pendientes muy inclinadas, cuando la inclinación lateral es muy grande y cuando el suelo no es estable.*

- Mover el equipo solo en pendientes de hasta 2%.
- Mover el equipo únicamente sobre una base firme.

### CUIDADO

*Proteger la palanca de fijación contra daños durante el transporte.*

### ⚠ PRECAUCIÓN

*¡Peligro de lesiones y daños! Respetar el peso del aparato para el transporte.*

- Colocar el aparato sobre la parte trasera y vaciar el agua residual antes del transporte.
- Para transportar el aparato por trayectos largos, tire de él mediante el estribo de empuje.
- Para transportar el aparato, agárrelo del mango y del estribo de empuje.
- Al transportar en vehículos, asegurar el aparato para evitar que resbale y vuelque conforme a las directrices vigentes.

## Cuidados y mantenimiento

### ⚠ PELIGRO

*Peligro de lesiones causadas por un aparato que se arranque involuntariamente y descarga eléctrica. Antes de efectuar cualquier trabajo en el aparato, hay que desconectarlo de la red eléctrica.*

- Cerrar el abastecimiento de agua.
- Abrir la pistola pulverizadora manual.
- Conectar la bomba con el interruptor de equipo y dejar en marcha 5-10 segundos.
- Cerrar la pistola de pulverización manual.
- Ponga el interruptor del aparato en "0/ OFF".
- Sacar el enchufe de la toma de corriente sólo con las manos secas.
- Retirar la conexión de agua.
- Poner en funcionamiento la pistola pulverizadora manual hasta que no quede presión en el aparato.
- Asegurar la pistola pulverizadora empujando la palanca de fijación hacia delante.
- Deje enfriar el aparato.

## Inspección de seguridad/contrato de mantenimiento

Acuerde una inspección regular de seguridad con su distribuidor o cierre un contrato de mantenimiento. Solicite el asesoramiento oportuno.



## Intervalos de mantenimiento

### Todas las semanas

→ Limpiar el filtro de la conexión de agua.

### Mensualmente

→ Limpie el filtro en la manguera de aspiración de detergente.

### Cada 500 horas de servicio, al menos cada año

→ Solicitar al servicio técnico que efectúe el mantenimiento del aparato.

## Trabajos de mantenimiento

**Indicación:** No es necesario cambiar el aceite de la bomba de alta presión.

### Limpiar el filtro de la conexión de agua

→ Quitar el filtro.

→ Limpie el filtro en agua y vuelva a colocarlo.

### Limpie el filtro en la manguera de aspiración de detergente

→ Limpie el filtro en agua y vuelva a colocarlo.

## Ayuda en caso de avería

### ⚠ PELIGRO

*Peligro de lesiones causadas por un aparato que se arranque involuntariamente y descarga eléctrica. Antes de efectuar cualquier trabajo en el aparato, hay que desconectarlo de la red eléctrica.*

### El aparato no funciona

- No hay tensión de red
- Verificar conexión de red/cable.
- Motor sobrecargado/sobrecalentado
- Ponga el interruptor del aparato en "0/OFF".
- Deje enfriar el aparato.
- Conexión del aparato
- Si después de esto la avería se vuelve a producir, haga que revisen el aparato en el servicio técnico.

- El limitador de temperatura de gas de escape se ha activado, el serpentín de recalentamiento está lleno de hollín.
- El aparato deberá deshollinarse el servicio técnico.
- El limitador de temperatura de gas de escape se ha activado, la temperatura del gas de escape es demasiado alta.
- Ponga el interruptor del aparato en "0/OFF".
- Deje enfriar el aparato.
- Sólo para aparatos con restablecimiento manual:  
Figura 7  
Pulsar el botón de posición a cero del limitador de temperatura de gases de escape.
- Conexión del aparato
- Si después de esto la avería se vuelve a producir, haga que revisen el aparato en el servicio técnico.

### El aparato no genera presión

- Aire en el sistema
- Purgar el aire de la bomba:
- Cuando la pistola pulverizadora está abierta conecte y desconecte el aparato varias veces con el interruptor principal.
- Nota:** Al desmontar la lanza dosificadora de la pistola pulverizadora manual se acelera el proceso de purga de aire.
- Rellenar o cambiar la botella de detergente externa si está vacía.
  - Verifique las conexiones y tuberías.
  - El filtro de la conexión de agua está sucio.
  - Limpiar el filtro.
  - La cantidad de abastecimiento de agua es escasa
  - Verifique la cantidad de abastecimiento de agua (ver datos técnicos).
  - Grifo de agua cerrado.
  - Abra el grifo del agua.

### El aparato se apaga/enciende continuamente cuando la pistola está abierta

- Aire en el sistema
- Purgar el aire de la bomba:
  - ➔ Cuando la pistola pulverizadora está abierta conecte y desconecte el aparato varias veces con el interruptor principal.
- Nota:** Al desmontar la lanza dosificadora de la pistola pulverizadora manual se acelera el proceso de purga de aire.
- Boquilla de alta presión atascada
  - ➔ Limpiar la boquilla.
- Serpentin de recalentamiento calcificado
  - ➔ El aparato deberá descalcificarlo el servicio técnico.

### El aparato se enciende y se apaga continuamente cuando la pistola está cerrada

- Fuga en el sistema de alta presión
  - ➔ Verificar la estanqueidad del sistema de alta presión y las conexiones.

### El aparato tiene fugas, el agua gotea del aparato por abajo

- Bomba no estanca, válvula de seguridad no estanca.
- Nota:** Lo permitido es 3 gotas por minuto.
- ➔ En caso de fuga de mayor envergadura deje que el servicio técnico revise el aparato.

### El aparato no succiona detergente

- La boquilla está colocada en "presión alta".
  - ➔ Coloque la boquilla en la posición "CHEM".
- El recipiente de detergente externo está vacío.
  - ➔ Rellenar o cambiar la botella de detergente externa.
- Filtro en la manguera de aspiración de detergente sucio
  - ➔ Limpiar el filtro.

### Figura 8

- La válvula de retención se pega
  - ➔ Desmontar la manguera de detergente y soltar la válvula de retención con un objeto obtuso.

### El quemador no se enciende

- Depósito de combustible vacío.
  - ➔ Llenar de combustible.
- Falta de agua
  - ➔ Comprobar la conexión de agua y las tuberías.
- Temperatura de alimentación de agua demasiado alta.
  - ➔ Alimentar con agua caliente a una temperatura máx. de 86°F/30°C.

### Figura 9

- El filtro de combustible está sucio
  - ➔ Cambie el filtro de combustible.

### Servicio de atención al cliente

Si la avería no se puede solucionar el aparato debe ser revisado por el servicio técnico.

## Garantía

En todos los países rigen las condiciones de garantía establecidas por nuestra empresa distribuidora. Las averías del aparato serán subsanadas gratuitamente dentro del periodo de garantía, siempre que se deban a defectos de material o de fabricación. En un caso de garantía, le rogamos que se dirija con el comprobante de compra al distribuidor donde adquirió el aparato o al servicio al cliente autorizado más próximo a su domicilio.

## Accesorios y piezas de repuesto

Utilice solamente accesorios y recambios originales, ya que garantizan un funcionamiento correcto y seguro del equipo. Puede encontrar información acerca de los accesorios y recambios en [www.kaercher.com](http://www.kaercher.com).

## Datos técnicos

		<b>HDS 1.7/12 U Ed</b>
<b>Conexión de red</b>		
Tensión	V	110-120
Tipo de corriente	Hz	1~ 60
Potencia conectada	hp	2.3
Fusible de red (inerte)	A	15
Categoría de protección	--	IPX5
Clase de protección	--	I
<b>Conexión de agua</b>		
Temperatura de entrada (máx.)	°F (°C)	86 (30)
Velocidad de alimentación (mín.)	gpm (l/min)	2.5 (9.5)
Altura de aspiración desde el depósito abierto (68 °F/20 °C)	ft (m)	1.6 (0.5)
Presión de entrada (máx.)	psi (MPa)	87 (0.6)
Diámetro de la manguera de alimentación (min)	pulgadas	1/2
Largo de la manguera de alimentación (mín.)	ft (m)	24.6 (7.5)
<b>Potencia y rendimiento</b>		
Caudal, agua	gpm (l/min)	1.7 (6.5)
Presión de trabajo agua (con boquilla estándar)	psi (MPa)	1200 (8.3)
Sobrepresión de servicio máxima (válvula de seguridad)	psi (MPa)	1700 (12)
Temperatura de trabajo máx. agua caliente	°F (°C)	176 (80)
Aspiración de detergente	gpm (l/min)	0-0.13 (0-0.5)
Potencia del quemador	kW	23
Consumo máximo de fuel	kg/h	2.3
Fuerza de retroceso de la pistola pulverizadora manual (máx.)	N	15
Tamaño de la boquilla de la boquilla estándar	--	032
<b>Valores calculados conforme a la norma EN 60335-2-79</b>		
Emisión sonora		
Nivel de presión acústica $L_{pA}$	dB(A)	76
Inseguridad $K_{pA}$	dB(A)	3
Nivel de potencia acústica $L_{WA}$ + inseguridad $K_{WA}$	dB(A)	94
Valor de vibración mano-brazo		
Pistola pulverizadora manual	m/s <sup>2</sup>	2.4
Lanza dosificadora	m/s <sup>2</sup>	1.4
Inseguridad K	m/s <sup>2</sup>	0.3
<b>Combustibles</b>		
Material combustible	--	Aceite combustible EL o Diesel
Cantidad de aceite	gal (l)	0.03 (0.1)
Tipo de aceite	--	Aceite de motor 0W40 (6.288-219)
<b>Medidas y pesos</b>		
Longitud x anchura x altura	in (mm)	24.3 x 24.3 x 39.0 (618 x 618 x 994)
Peso de funcionamiento típico	lbs (kg)	154.3 (70)
Depósito de carburante	gal (l)	1.7 (6.5)



<http://www.kaercher.com/dealersearch>

