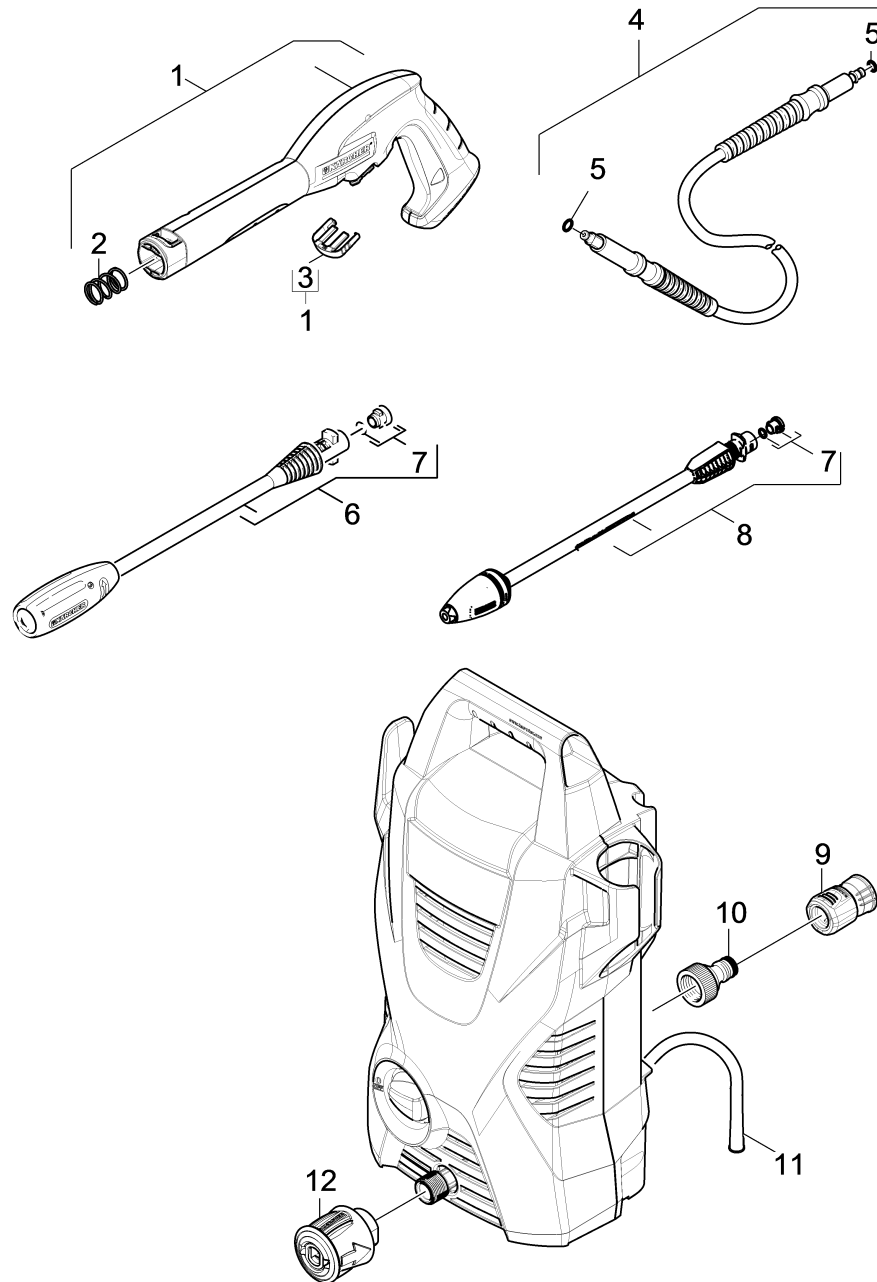


210 Short spare parts list (1.602-114.3)

Home and Garden \ High pressure cleaner cold water \ Electric motor \ K 2 \ K 2 Compact \ Short spare parts list



210 Short spare parts list (1.602-114.3)

Home and Garden \ High pressure cleaner cold water \ Electric motor \ K 2 \ K 2 Compact \ Short spare parts list

KÄRCHER

POS	Article no.	Description	Quantity	Unit
1	4.775-830.0	G 120 Q	1.000	ST
2	5.332-464.0	Pressure spring	1.000	ST
3	5.037-333.0	Clamp pistol Entry	1.000	ST
4	6.392-966.0	High pressure hose 12MPa/10 40°C QC B	1.000	ST
5	6.363-410.0	O-Ring seal 5,7x1,78 NBR 90Shore	2.000	ST
6	4.760-520.0	VPS K2 026	1.000	ST
7	2.640-729.0	O-Ring seal set	2.000	ST
8	4.764-096.0	Dirt blaster Entry 024 K	1.000	ST
9	4.645-363.0	Coupler with label aqua cpl.	1.000	ST
10	6.465-031.0	Connection 3/4	1.000	ST
11	9.011-911.0	Filter cleaning agents W107/207	1.000	ST
12	4.470-041.0	High pressure quick-fitting pipe union A	1.000	ST