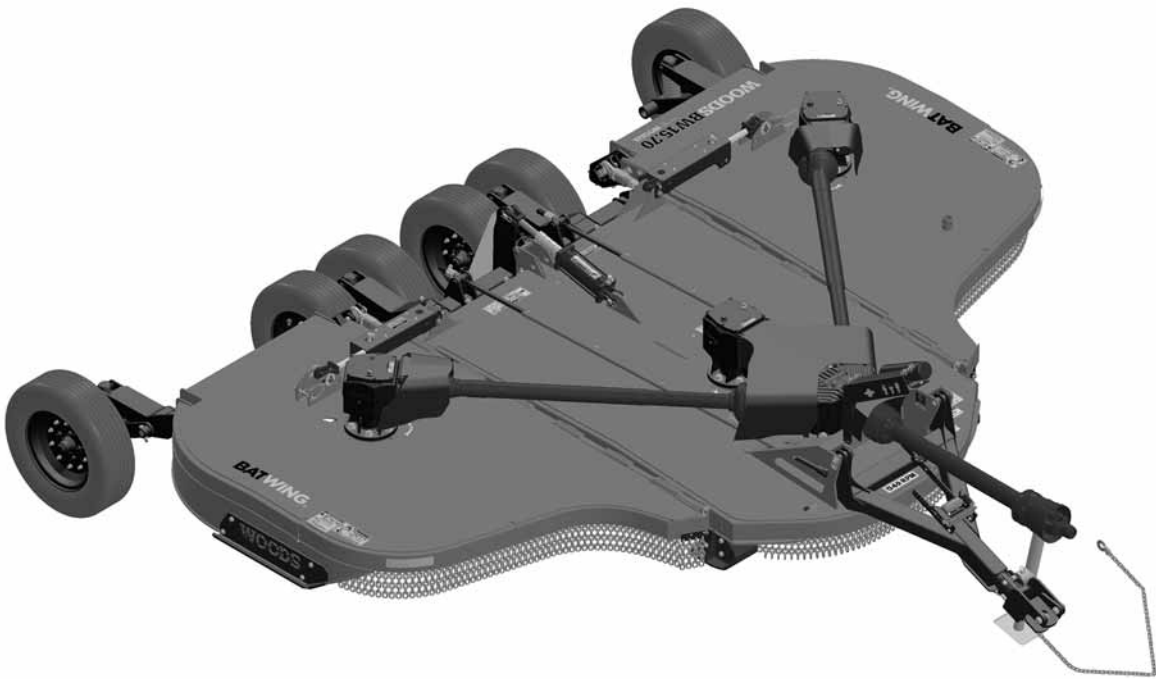


BATWING[®] ROTARY CUTTER

BW15.70
BW15.70Q
BW10.70
BW10.70Q



MAN1239
(Rev. 12/02/2019)

WOODS[®]

OPERATOR'S MANUAL

TO THE DEALER:

Assembly and proper installation of this product is the responsibility of the Woods® dealer. Read manual instructions and safety rules. Make sure all items on the Dealer's Pre-Delivery and Delivery Check Lists in the Operator's Manual are completed before releasing equipment to the owner.

The dealer must complete the online Product Registration form at the Woods Dealer Website which certifies that all Dealer Check List items have been completed. Dealers can register all Woods product at dealer.WoodsEquipment.com under Product Registration.

Failure to register the product does not diminish customer's warranty rights.

TO THE OWNER:

Read this manual before operating your Woods equipment. The information presented will prepare you to do a better and safer job. Keep this manual handy for ready reference. Require all operators to read this manual carefully and become acquainted with all adjustment and operating procedures before attempting to operate. Replacement manuals can be obtained from your dealer. To locate your nearest dealer, check the Dealer Locator at www.WoodsEquipment.com, or in the United States and Canada call 1-800-319-6637.

The equipment you have purchased has been carefully engineered and manufactured to provide dependable and satisfactory use. Like all mechanical products, it will require cleaning and upkeep. Lubricate the unit as specified. Observe all safety information in this manual and safety decals on the equipment.

For service, your authorized Woods dealer has trained mechanics, genuine Woods service parts, and the necessary tools and equipment to handle all your needs.

Use only genuine Woods service parts. Substitute parts will void the warranty and may not meet standards required for safe and satisfactory operation. Record the model number and serial number of your equipment in the spaces provided:

Model: _____ **Date of Purchase:** _____

Serial Number: (see Safety Decal section for location) _____

Provide this information to your dealer to obtain correct repair parts.

Throughout this manual, the term **NOTICE** is used to indicate that failure to observe can cause damage to equipment. The terms **CAUTION**, **WARNING**, and **DANGER** are used in conjunction with the Safety-Alert Symbol (a triangle with an exclamation mark) to indicate the degree of hazard for items of personal safety.



This is the safety alert symbol. It is used to alert you to potential physical injury hazards. Obey all safety messages that follow this symbol to avoid possible injury or death.



Indicates a hazardous situation that, if not avoided, will result in death or serious injury.



Indicates a hazardous situation that, if not avoided, could result in death or serious injury.



Indicates a hazardous situation that, if not avoided, could result in minor or moderate injury.

**IMPORTANT
or NOTICE**

Is used to address practices not related to physical injury.

NOTE Indicates helpful information.

ALITEC™

CENTRAL FABRICATORS®

GANNON®

WAIN-ROY®

WOODS®

WOODS®

2 Introduction

Gen'l (Rev. 2/25/2016)

TABLE OF CONTENTS

INTRODUCTION	2
SPECIFICATIONS	4
GENERAL INFORMATION	4
SAFETY	5
MOWER SAFETY VIDEO	5
SAFETY RULES	7
INSTALLATION	7
TRAINING	7
PREPARATION	7
TRANSPORTATION	8
OPERATION	8
MAINTENANCE	9
STORAGE	10
SAFETY & INSTRUCTIONAL DECALS	11
OPERATION	14
OPERATION	14
CONNECTING CUTTER TO TRACTOR	14
TRACTOR OPERATION	16
CUTTER OPERATION	16
TRANSPORTING	17
STORAGE	18
PRE-OPERATION CHECKLIST	18
OWNER SERVICE	19
OWNER SERVICE	19
BLOCKING METHOD	19
LUBRICATION	20
BLADES	21
SLIP CLUTCH ADJUSTMENT	22
SHIELDING REPAIR	23
SERVICING TIRES SAFELY	23
CLEANING	23
TROUBLESHOOTING	24
DEALER SERVICE	25
DEALER SERVICE	25
GEARBOX MAINTENANCE	25
GEARBOX REPAIR	26
SPLITTER GEARBOX REPAIR	28
CROSSBAR REMOVAL	30
CROSSBER INSTALLATION	31
UNIVERSAL JOINT REPAIR	31
SERVICING TIRES SAFELY	32
ASSEMBLY	33
DEALER SET-UP INSTRUCTIONS	33
DEALER CHECK LISTS	35
PARTS INDEX	37
APPENDIX	62
BOLT TORQUE CHART	62
BOLT SIZE CHART & ABBREVIATIONS	63
INDEX	64
REPLACEMENT PARTS WARRANTY	66
PRODUCT WARRANTY	INSIDE BACK COVER

NOTICE:

If you would like to receive a free Spanish language translation of the Safety Rules section of this manual, plus a set of Spanish language safety decals, please contact your local Woods dealer.

AVISO:

Si desea recibir una traducción al español gratuita de la sección Reglas de seguridad de este manual y un juego de etiquetas de seguridad en español, por favor comuníquese con su concesionario local de Woods.



¡LEA EL INSTRUCTIVO!

Si no lee Ingles, pida ayuda a alguien que si lo lee para que le traduzca las medidas de seguridad.

SPECIFICATIONS

	BW15.70 / BW15.70Q	BW10.70 / BW10.70Q
Cutting Height (Varies with tire selection)	1" - 15"	1" - 15"
Cutting Width	180" (15')	126" (10.5')
Overall Width	190"	140"
Transport Width	96"	93"
Transport Height	85-90"	85-90"
Tractor HP	300	300
Tractor Min. PTO hp.	65	65
Tractor PTO rpm	540/1000	540/1000
Blade Spindle.	3	2
Blade Overlap	6"	6"
Number of Blades	6	4
Blade Rotation	Left Spindle: CW; Right & Center Spindles: CCW	
Blade Speed (feet per minute).	16,000	16,000
Wing Driveline	Cat 5	Cat 5
CV Driveline.	Cat 6	Cat 6
Side Frame Thickness	1/4"	1/4"
Weight (approximate lbs.)	4840	5051
Tongue Weight (approximate lbs.)	1470	1470
Wheel Size	15" Rims (BW15.70 and BW15.70Q only), 21" OD Solid Tires, 25" Severe Duty, 29" Airplane	
Torsion Protection	Slip Clutch	Slip Clutch

GENERAL INFORMATION

WARNING

■ Some illustrations in this manual show the equipment with safety shields removed to provide a better view. This equipment should never be operated with any necessary safety shielding removed.

The purpose of this manual is to assist you in operating and maintaining your cutter. Read it carefully. It furnishes information and instructions that will help you achieve years of dependable performance. These instructions have been compiled from extensive field experience and engineering data. Some information may be general in nature due to unknown and varying

operating conditions. However, through experience and these instructions, you should be able to develop procedures suitable to your particular situation.

The illustrations and data used in this manual were current at the time of printing but, due to possible inline production changes, your machine may vary slightly in detail. We reserve the right to redesign and change the machines as may be necessary without notification.

Throughout this manual, references are made to right and left directions. These are determined by standing behind the equipment facing the direction of forward travel. Blade rotation is clockwise (left wing) and counterclockwise (right wing and center section) as viewed from the top of the cutter.



This Operator's Manual should be regarded as part of the machine. Suppliers of both new and second-hand machines must make sure that this manual is provided with the machine.

BE SAFE!

BE ALERT!

BE ALIVE!

BE TRAINED

Before Operating Mowers!



*Safety Training
Does Make a Difference.*

Watch a Mower Safety Video Online

The AEM (Association of Equipment Manufacturers) offers a safety training video, *Industrial and Agricultural Mower Safety Practices*. The 22-minute video can be viewed online for free at TheAEMStore,

<https://youtu.be/uEWXsDqhDq0>

It reinforces the proper procedures to follow while operating your mowing equipment. The video does not replace the information contained in the Operator's Manual, so please review this manual thoroughly before operating your new mowing equipment.

Also, available from the Association of Equipment Manufacturers:

A large variety of training materials (ideal for groups) are available for a nominal charge from AEM. Following is a partial list:

- **Training Package for Rotary Mowers/Cutters-English**

Contains: DVD & VHS (English)

Guidebook for Rotary Mowers/Cutters (English)

AEM Industrial/Agricultural Mower Safety Manual (English)

AEM Agricultural Tractor Safety Manual (English)

- **Training Package for Rotary Mowers/Cutters-English/Spanish**

Contains: DVD & VHS (English/Spanish)

Guidebook for Rotary Mowers/Cutters (English/Spanish)

AEM Industrial/Agricultural Mower Safety Manual (English/Spanish)

AEM Agricultural Tractor Safety Manual (English/Spanish)

AEM training packages are available through:

AEM at: www.aem.org

or

Universal Lithographers, Inc.

Email: aem@ulilitho.com

800-369-2310 tel

866-541-1668 fax

SAFETY RULES



ATTENTION! BECOME ALERT! YOUR SAFETY IS INVOLVED!



Safety is a primary concern in the design and manufacture of our products. Unfortunately, our efforts to provide safe equipment can be wiped out by an operator's single careless act.

In addition to the design and configuration of equipment, hazard control and accident prevention are dependent upon the awareness, concern, judgement, and proper training of personnel involved in the operation, transport, maintenance, and storage of equipment.

It has been said, "The best safety device is an informed, careful operator." We ask you to be that kind of operator.

INSTALLATION

■ Hydraulics must be connected as instructed in this manual. Do not substitute parts, modify, or connect in any other way.

TRAINING

■ Safety instructions are important! Read all attachment and power unit manuals; follow all safety rules and safety decal information. (Replacement manuals and safety decals are available from your dealer. To locate your nearest dealer, check the Dealer Locator at www.WoodsEquipment.com, or in the United States and Canada call 1-800-319-6637.) Failure to follow instructions or safety rules can result in serious injury or death.

■ If you do not understand any part of this manual and need assistance, see your dealer.

■ Know your controls and how to stop engine and attachment quickly in an emergency.

■ Operators must be instructed in and be capable of the safe operation of the equipment, its attachments, and all controls. Do not allow anyone to operate this equipment without proper instructions.

■ Keep hands and body away from pressurized lines. Use paper or cardboard, not hands or other body parts to check for leaks. Wear safety goggles. Hydraulic fluid under pressure can easily penetrate skin and will cause serious injury or death.

■ Make sure that all operating and service personnel know that if hydraulic fluid penetrates skin, it must be surgically removed as soon as possible by a doctor familiar with this form of injury or gangrene, serious injury, or death will result.

CONTACT A PHYSICIAN IMMEDIATELY IF FLUID ENTERS SKIN OR EYES. DO NOT DELAY.

■ Never allow children or untrained persons to operate equipment.

PREPARATION

■ Check that all hardware is properly installed. Always tighten to torque chart specifications unless instructed otherwise in this manual.

■ Air in hydraulic systems can cause erratic operation and allows loads or equipment components to drop unexpectedly. When connecting equipment or hoses or performing any hydraulic maintenance, purge any air in hydraulic system by operating all hydraulic functions several times. Do this before putting into service or allowing anyone to approach the equipment.

■ Make sure all hydraulic hoses, fittings, and valves are in good condition and not leaking before starting power unit or using equipment. Check and route hoses carefully to prevent damage. Hoses must not be twisted, bent sharply, kinked, frayed, pinched, or come into contact with any moving parts. Operate moveable components through full operational range to check clearances. Replace any damaged hoses immediately.

■ After connecting hoses, check that all control lever positions function as instructed in the Operator's Manual. Do not put into service until control lever and equipment movements are correct.

■ Set tractor hydraulic relief valve at 2500 psi (170 bars) (17,000 kPa) to prevent injury and equipment damage due to hydraulic system failure.

■ Your dealer can supply original equipment hydraulic accessories and repair parts. Substitute parts may not meet original equipment specifications and may be dangerous.

■ Always wear relatively tight and belted clothing to avoid getting caught in moving parts. Wear sturdy, rough-soled work shoes and protective equipment for eyes, hair, hands, hearing, and head; and respirator or filter mask where appropriate.

■ Make sure attachment is properly secured, adjusted, and in good operating condition.

■ Make sure spring-activated locking pin or collar slides freely and is seated firmly in tractor PTO spline groove.

(Safety Rules continued on next page)



SAFETY RULES

ATTENTION! BECOME ALERT! YOUR SAFETY IS INVOLVED!



(Safety Rules continued from previous page)

- Make sure driveline guard tether chains are attached to the tractor and equipment as shown in the pamphlet that accompanies the driveline. Replace if damaged or broken. Check that driveline guards rotate freely on driveline before putting equipment into service.
- Before starting power unit, check all equipment driveline guards for damage. Replace any damaged guards. Make sure all guards rotate freely on all drivelines. If guards do not rotate freely on drivelines, repair and replace bearings before putting equipment into service.
- Power unit must be equipped with ROPS or ROPS cab and seat belt. Keep seat belt securely fastened. Falling off power unit can result in death from being run over or crushed. Keep foldable ROPS system in “locked up” position at all times.
- Remove accumulated debris from this equipment, power unit, and engine to avoid fire hazard.
- Make sure all safety decals are installed. Replace if damaged. (See Safety Decals section for location.)
- Make sure shields and guards are properly installed and in good condition. Replace if damaged.
- Do not put this equipment into service unless all side skids are properly installed and in good condition. Replace if damaged.
- A minimum 20% of tractor and equipment weight must be on the tractor front wheels when attachments are in transport position. Without this weight, front tractor wheels could raise up resulting in loss of steering. The weight may be attained with front wheel weights, ballast in tires, front tractor weights or front loader. Weigh the tractor and equipment. Do not estimate.
- Inspect and clear area of stones, branches, or other hard objects that might be thrown, causing injury or damage.
- Connect PTO driveline directly to power unit PTO shaft. Never use adapter sleeves or adapter shafts. Adapters can cause driveline failures due to incorrect spline or incorrect operating length and can result in personal injury or death.

TRANSPORTATION

- Power unit must be equipped with Roll Over Protection System (ROPS) or ROPS cab and seat belt. Keep seat belt securely fastened. Falling off power unit can result in death from being run over or crushed. Keep foldable ROPS system in “locked up” position at all times.
- Always raise unit and install transport locks before transporting. Leak down or failure of mechanical or hydraulic system can cause equipment to drop.
- Always attach safety chain to tractor drawbar when transporting unit.
- Always comply with all state and local lighting and marking requirements.
- Never allow riders on power unit or attachment.
- Do not operate PTO during transport.
- Do not operate or transport on steep slopes.
- Do not operate or transport equipment while under the influence of alcohol or drugs.
- The maximum transport speed for towed and semi-mounted machines is 20 mph (32 km/h). Regardless of the maximum speed capability of the towing tractor, do not exceed the implement’s maximum transport speed. Doing so could result in:
 - Loss of control of the implement and tractor
 - Reduced or no ability to stop during braking
 - Implement tire failure
 - Damage to the implement or its components.
- Use additional caution and reduce speed when under adverse surface conditions, turning, or on inclines.
- Never tow this implement with a motor vehicle.

OPERATION

- Do not allow bystanders in the area when operating, attaching, removing, assembling, or servicing equipment.
- Never walk, stand, or place yourself or others under a raised wing or in the path of a lowering wing. Hydraulic system leak-down, hydraulic system failures, mechanical failures, or movement of control levers can cause wings to drop unexpectedly and cause severe injury or death.

(Safety Rules continued on next page)



SAFETY RULES

ATTENTION! BECOME ALERT! YOUR SAFETY IS INVOLVED!



(Safety Rules continued from previous page)

■ Full chain shielding must be installed at all times. Thrown objects could injure people or damage property.

- If the machine is not equipped with full chain shielding, operation must be stopped.
- This shielding is designed to reduce the risk of thrown objects. The mower deck and protective devices cannot prevent all objects from escaping the blade enclosure in every mowing condition. It is possible for objects to ricochet and escape, traveling as much as 300 feet (92m).

■ Never direct discharge toward people, animals, or property.

■ Do not operate or transport equipment while under the influence of alcohol or drugs.

■ Operate only in daylight or good artificial light.

■ Keep hands, feet, hair, and clothing away from equipment while engine is running. Stay clear of all moving parts.

■ Always comply with all state and local lighting and marking requirements.

■ Never allow riders on power unit or attachment.

■ Power unit must be equipped with ROPS or ROPS cab and seat belt. Keep seat belt securely fastened. Falling off power unit can result in death from being run over or crushed. Keep foldable ROPS system in “locked up” position at all times.

■ Always sit in power unit seat when operating controls or starting engine. Securely fasten seat belt, place transmission in neutral, engage brake, and ensure all other controls are disengaged before starting power unit engine.

■ Operate tractor PTO at 540 RPM (1000 RPM on Q Series cutters). Do not exceed.

■ Raise or lower wings slowly to prevent personal injury or damage to cutter.

■ Look down and to the rear and make sure area is clear before operating in reverse.

■ Do not operate or transport on steep slopes.

■ Do not stop, start, or change directions suddenly on slopes.

■ Watch for hidden hazards on the terrain during operation.

■ Stop power unit and equipment immediately upon striking an obstruction. Turn off engine, set parking brake, remove key, inspect, and repair any damage before resuming operation.

■ Continuous operation while the clutch is slipping could cause heat build-up resulting in fire. Adjust slip clutch pressure by tightening springs to the dimension shown in the “Owner Service” section. If clutch is set to minimum spring length, replace the friction disks as shown.

MAINTENANCE

■ Before cleaning, servicing, adjusting, repairing or unplugging, stop tractor engine, place all controls in neutral, set park brake, remove ignition key, and wait for all moving parts to stop.

■ Before dismounting power unit or performing any service or maintenance, follow these steps: disengage power to equipment, lower the 3-point hitch and all raised components to the ground, operate valve levers to release any hydraulic pressure, set parking brake, stop engine, remove key, and unfasten seat belt.

■ Do not modify or alter or permit anyone else to modify or alter the equipment or any of its components in any way.

■ Your dealer can supply original equipment hydraulic accessories and repair parts. Substitute parts may not meet original equipment specifications and may be dangerous.

■ To prevent contamination during maintenance and storage, clean and then cover hose ends, fittings, and hydraulic ports with tape.

■ Do not allow bystanders in the area when operating, attaching, removing, assembling, or servicing equipment.

(Safety Rules continued on next page)



SAFETY RULES

ATTENTION! BECOME ALERT! YOUR SAFETY IS INVOLVED!



(Safety Rules continued from previous page)

- Never go underneath equipment (lowered to the ground or raised) unless it is properly blocked and secured. Never place any part of the body underneath equipment or between moveable parts even when the engine has been turned off. Hydraulic system leak down, hydraulic system failures, mechanical failures, or movement of control levers can cause equipment to drop or rotate unexpectedly and cause severe injury or death. Follow Operator's Manual instructions for working underneath and blocking requirements or have work done by a qualified dealer.
- Keep all persons away from operator control area while performing adjustments, service, or maintenance.
- Make certain all movement of equipment components has stopped before approaching for service.
- Frequently check blades. They should be sharp, free of nicks and cracks, and securely fastened.
- Do not handle blades with bare hands. Careless or improper handling may result in serious injury.
- Your dealer can supply genuine replacement blades. Substitute blades may not meet original equipment specifications and may be dangerous.
- Tighten all bolts, nuts, and screws to torque chart specifications. Check that all cotter pins are installed securely to ensure equipment is in a safe condition before putting unit into service.
- Make sure all safety decals are installed. Replace if damaged. (See Safety Decals section for location.)
- Make sure shields and guards are properly installed and in good condition. Replace if damaged.

- Never perform service or maintenance with engine running.
- Do not disconnect hydraulic lines until machine is securely blocked or placed in lowest position and system pressure is released by operating valve levers.
- Service and maintenance work not covered in OWNER SERVICE must be done by a qualified dealership. Special skills, tools, and safety procedures may be required. Failure to follow these instructions can result in serious injury or death.
- Explosive separation of tire and rim parts can cause serious injury or death. Release all air pressure before loosening bolts on wheel.

STORAGE

- Before disconnecting and storing, follow these instructions:
 - Store on level, solid ground.
 - Disconnect driveline and secure up off the ground.
 - Lower wings to ground.
 - Raise cutter center section and pin transport bar in raised position.
 - Attach parking jack and raise tongue weight off tractor drawbar.
 - Place wedge blocks at front and rear of wheels on center section and each wing to prevent wheel rotation.
 - Securely block all four corners of center section and each wing with jackstands.
 - Remove hydraulic hoses after tractor is turned off and all system pressure is released by operating valve levers several times.
 - Remove safety tow chain.
 - Remove retainer pin and high strength drawbar pin.
- Keep children and bystanders away from storage area.





SAFETY & INSTRUCTIONAL DECALS

ATTENTION! BECOME ALERT! YOUR SAFETY IS INVOLVED!

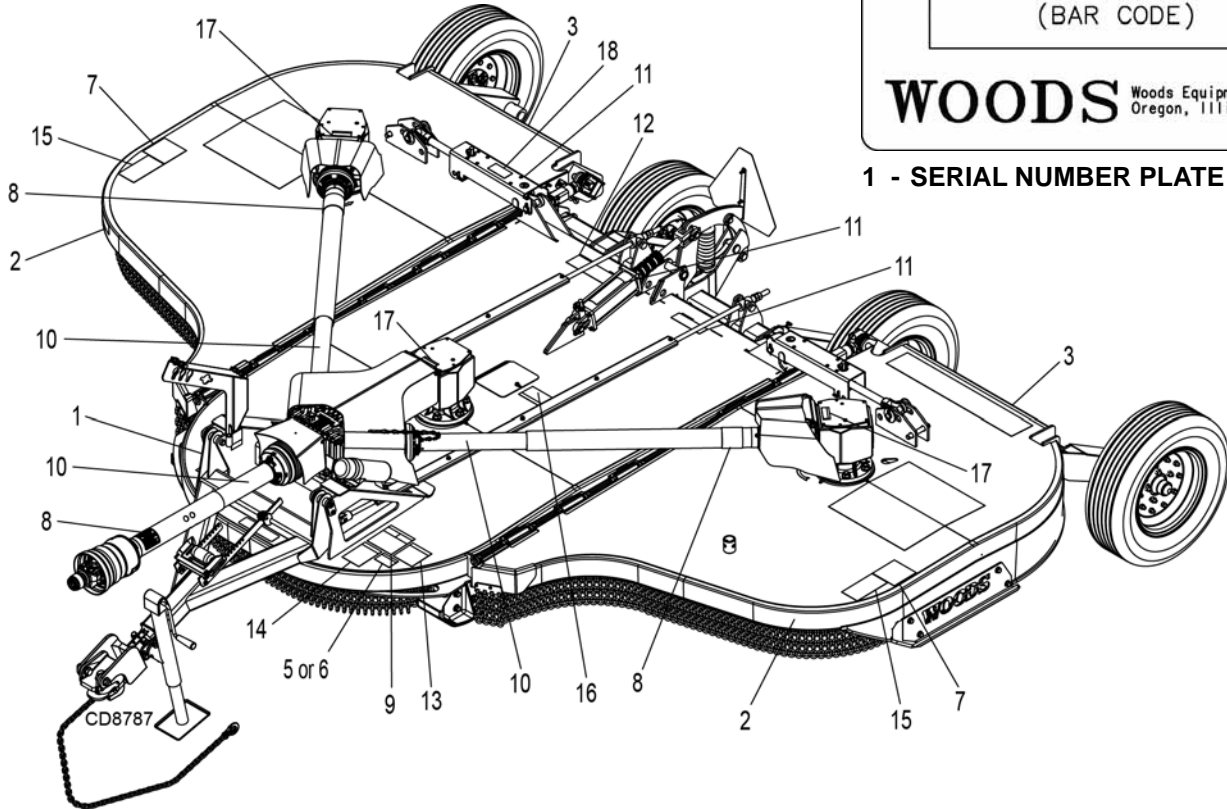
Replace Immediately If Damaged!



Model #
Serial #

(BAR CODE)

WOODS Woods Equipment Company
Oregon, Illinois 61061 USA



1 - SERIAL NUMBER PLATE

PN 1006348 - Located on Wheel Rims

WARNING	EXPLOSION HAZARD
RELEASE ALL AIR PRESSURE BEFORE LOOSENING BOLTS. FAILURE TO DO SO COULD RESULT IN SERIOUS INJURY OR DEATH. MAX. SPEED: 20 MPH, MAX. WEIGHT: 4000 LBS., MAX. AIR PRESSURE: 40 PSI.	

BE CAREFUL!

Use a clean, damp cloth to clean safety decals.

Avoid spraying too close to decals when using a pressure washer; high-pressure water can enter through very small scratches or under edges of decals causing them to peel or come off.

Replacement safety decals can be ordered free from your Woods dealer. To locate your nearest dealer, check the Dealer Locator at www.WoodsEquipment.com, or in the United States and Canada call 1-800-319-6637.

**2 - FRONT AMBER REFLECTOR
(PN 1002940)**

**3 - REAR RED REFLECTOR
(PN 57123)**

SAFETY & INSTRUCTIONAL DECALS



ATTENTION! BECOME ALERT! YOUR SAFETY IS INVOLVED!



Replace Immediately If Damaged!

⚠ WARNING
DO NOT EXCEED PTO SPEED OF
1000 RPM
PTO speeds higher than 1000 RPM can cause equipment failure and personal injury. 15922

5 - PN 15922
(1000 RPM)

⚠ WARNING
DO NOT EXCEED PTO SPEED OF
540 RPM
PTO speeds higher than 540 RPM can cause equipment failure and personal injury. 18866

6 - PN 18866
(540 RPM)

OR

8 - PN 18864

⚠ DANGER

**ROTATING DRIVELINE CONTACT CAN CAUSE DEATH
KEEP AWAY!**

DO NOT OPERATE WITHOUT -

- All driveline guards, tractor and equipment shields in place.
- Drivelines securely attached at both ends.
- Driveline guards that turn freely on driveline.

18864-C

7 - PN 15503

⚠ DANGER

ROTATING BLADES AND THROWN OBJECTS

- Do not put hands or feet under or into mower when engine is running.
- Before mowing, clear area of objects that may be thrown by blade.
- Keep bystanders away.
- Keep guards in place and in good condition.

BLADE CONTACT OR THROWN OBJECTS CAN CAUSE SERIOUS INJURY OR DEATH.

15503

9 - PN 18865

⚠ WARNING

FALLING OFF CAN RESULT IN BEING RUN OVER.

- Tractor must be equipped with ROPS (or ROPS CAB) and seat belt. Keep foldable ROPS systems in "locked up" position at all times.
- Buckle Up! Keep seat belt securely fastened.
- Never allow riders on mower or tractor.

RAISED EQUIPMENT CAN DROP AND CRUSH.

- Before working underneath, follow all instructions and safety rules in operator's manual and securely block up all corners of equipment with jack stands.
- Securely blocking prevents equipment dropping from hydraulic leak-down, hydraulic system failures or mechanical component failures.

FALLING OFF OR FAILING TO BLOCK SECURELY CAN RESULT IN SERIOUS INJURY OR DEATH.

18865

11 - PN W19924

⚠ WARNING

HIGH-PRESSURE HYDRAULIC OIL LEAKS CAN PENETRATE SKIN RESULTING IN SERIOUS INJURY, GANGRENE OR DEATH.

- Check for leaks with cardboard; never use hand.
- Before loosening fittings: lower load, release pressure, and be sure oil is cool.
- Consult physician immediately if skin penetration occurs.

W19924

17 - PN 1004114

⚠ DANGER

If shaft connection is visible, shield is missing. Replace shield before operating equipment.

1004114



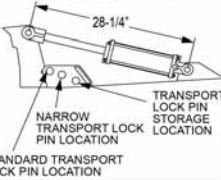
SAFETY & INSTRUCTIONAL DECALS

ATTENTION! BECOME ALERT! YOUR SAFETY IS INVOLVED!

Replace Immediately If Damaged!



12 - PN 1045604

	<h3 style="margin: 0;">⚠ WARNING</h3> <p>RAISED IMPLEMENT CAN DROP AND CRUSH</p> <ul style="list-style-type: none"> ■ Implement must be equipped with transport lock. ■ Before working underneath, transport lock must be in the raised position. All corners of implement must be securely blocked with jackstands. ■ All transport components must be functional, kept in good condition, and stored on equipment. ■ Blocking up prevents implement dropping from hydraulic leak down, hydraulic system failures, or mechanical component failures. <p style="text-align: center;">FAILURE TO FOLLOW INSTRUCTIONS CAN RESULT IN SERIOUS INJURY OR DEATH.</p>	<p>TRANSPORT LOCK AND CYLINDER REQUIREMENTS</p> <p>SINGLE-ACTING FULL EXTENSION</p> 
---	--	--

10 - PN 33347

<h3 style="margin: 0;">⚠ DANGER</h3>

<p>GUARD MISSING. DO NOT OPERATE.</p>
<h3 style="margin: 0;">⚠ DANGER</h3>

<p>GUARD MISSING. DO NOT OPERATE.</p>
<h3 style="margin: 0;">⚠ DANGER</h3>

13 - PN 1003751

<h3 style="margin: 0;">⚠ WARNING</h3>

<p>CRUSHING AND PINCHING HAZARD</p> <ul style="list-style-type: none"> ■ Be extremely careful handling various parts of the machine. They are heavy and hands, fingers, feet, and other body parts could be crushed or pinched between tractor and implement. ■ Operate tractor controls from tractor seat only. ■ Do not stand between tractor and implement when tractor is in gear. ■ Make sure parking brake is engaged before going between tractor and implement. ■ Stand clear of machine while in operation or when it is being raised or lowered. <p style="text-align: center;">FAILURE TO FOLLOW THESE INSTRUCTIONS COULD RESULT IN SERIOUS INJURY OR DEATH.</p>



14 - PN 18877

<h3 style="margin: 0;">⚠ WARNING</h3>
<p>TO AVOID SERIOUS INJURY OR DEATH:</p> <ul style="list-style-type: none"> ■ Read Operator's Manual (available from dealer) and follow all safety precautions. ■ Keep all shields in place and in good condition. ■ Operate mower from tractor seat only. ■ Lower mower, stop engine and remove key before dismounting tractor. ■ Allow no children or untrained persons to operate equipment. ■ Do not transport towed or semi-mounted units over 25 mph (40 km/h). <p style="text-align: center;">FAILURE TO OPERATE SAFELY CAN RESULT IN INJURY OR DEATH.</p>

16 - PN 15502

<h3 style="margin: 0;">⚠ WARNING</h3>
<p>ROTATING COMPONENTS</p> <p>Do not operate without cover in place. Look and listen for rotation. Do not open cover until all components have stopped.</p> <p style="text-align: center;">CONTACT WITH ROTATING PARTS CAN CAUSE SERIOUS INJURY.</p>

15 - PN 18964

	<h3 style="margin: 0;">⚠ WARNING</h3> <p>RAISED WING EXPOSES BLADE AND INCREASES THROWN OBJECT HAZARDS.</p> <ul style="list-style-type: none"> ■ Only raise for transport. Stop cutter and lock wing(s) up. <p>RAISED WING CAN FALL AND CRUSH.</p> <ul style="list-style-type: none"> ■ Keep away. ■ Lock up with wing transport bars. ■ Lower wing(s) after transport and for storage. <p style="text-align: center;">FAILURE TO FOLLOW INSTRUCTIONS CAN RESULT IN SERIOUS INJURY OR DEATH.</p>
	

18 - PN 1041910

<h2 style="margin: 0;">NOTICE</h2>
<p>If required by state and local lighting and marking regulations, contact your dealer to obtain an accessory light kit.</p>

OPERATION

The designed and tested safety of this machine depends on it being operated within the limitations as explained in this manual. Be familiar with and follow all safety rules in the manual, on the cutter and on the tractor.

The safe operation of this cutter is the responsibility of the operator, who must be properly trained. The operator should be familiar with the equipment and all safety practices before starting operation. Read the safety information on page 7 through page 13.

Recommended tractor ground speed for most conditions is from 1 to 6 mph.

Always operate tractor PTO at 540 RPM on BW15.70 and BW10.70; on BW15.70Q and BW10.70Q operate PTO at 1000 RPM.

DANGER

■ Full chain shielding must be installed at all times. Thrown objects could injure people or damage property.

- If the machine is not equipped with full chain shielding, operation must be stopped.
- This shielding is designed to reduce the risk of thrown objects. The mower deck and protective devices cannot prevent all objects from escaping the blade enclosure in every mowing condition. It is possible for objects to ricochet and escape, traveling as much as 300 feet (92m).

WARNING

- Never allow children or untrained persons to operate equipment.
- Do not allow bystanders in the area when operating, attaching, removing, assembling, or servicing equipment.
- Make sure spring-activated locking pin or collar slides freely and is seated firmly in tractor PTO spline groove.

CAUTION

- Stop power unit and equipment immediately upon striking an obstruction. Turn off engine, remove key, inspect, and repair any damage before resuming operation.
- Always wear relatively tight and belted clothing to avoid getting caught in moving parts. Wear sturdy, rough-soled work shoes and protective

equipment for eyes, hair, hands, hearing, and head; and respirator or filter mask where appropriate.

CONNECTING CUTTER TO TRACTOR

NOTICE

■ For tractors with a 1-3/8" diameter PTO shaft, the horizontal distance from the end of the tractor PTO shaft to the center of drawbar pin should be 14" for 540 rpm cutter and 16" for the 1000 RPM cutters. Tractors with 1-3/4 20-spline PTO shaft should be set to 20". This will minimize joint knock and damage to drive components.

Use of the CV Lift Assist System

The Batwing® cutter has a system to help lift and support the driveline while connecting and disconnecting it from the tractor. Follow the instructions below.

1. Remove klik pin.
2. Lift lever to vertical position which will lift driveline.
3. Connect coupler to tractor PTO shaft.
4. Lower lever and secure with klik pin.

If the driveline is held too high or low, the roller carriage can be adjusted by removing the mounting bolts, moving it to the preferred position, and replacing the bolts.

NOTICE

If the tractor used to power the Batwing® has a PTO shaft and drawbar closer than the current standards, the driveline could contact the lift assist frame or roller during use and could cause damage and failure to the driveline. When using a tractor of this type, the CV lift assist system should be removed from the tongue to avoid potential contact and damage.

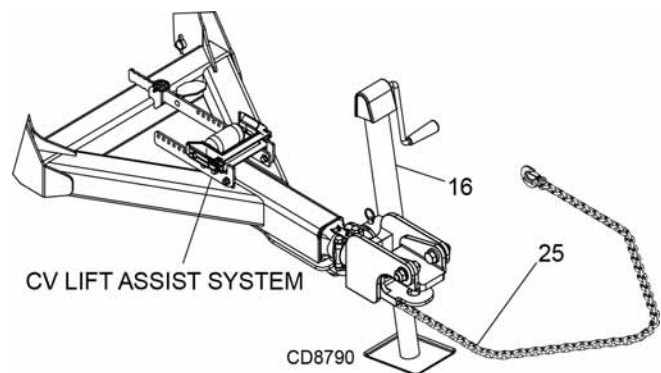


Figure 1. Cutter to Tractor Connection

Mechanical Connection

1. Attach cutter using a 1-1/8" clevis pin and clip.
2. Attach safety tow chain (25) to drawbar support. Leave enough slack for turning.
3. Connect cutter driveline to tractor PTO shaft, making sure the spring-activated lock pin slides freely and is seated in tractor PTO splined groove.
4. Attach driveline shield tether chain to tractor drawbar to prevent rotation, if desired.
NOTE: CV driveline does not require a tether chain.
5. Loosen bolts in jack mount. Adjust jack so foot plate sits flat for storage. Tighten bolts.
6. Remove parking jack (16) from the tongue and attach it to the storage post on the front of the left wing.

Hydraulic Connection

1. Inspect hydraulic hoses to ensure they are in good condition.
2. Clean the fittings before connecting them to the tractor hydraulic ports.
3. Route the hose through the hose holder at the hitch and be sure the hose can slide freely in the holder. Do not allow hose slack to drag on the ground or become caught on tractor protrusions.
4. Attach the hydraulic hose to the tractor.
5. From the operator position, start tractor and raise and lower deck several times to purge trapped air from the hydraulic cylinder.

Interference Check

1. Be sure that tractor 3-point lift links do not interfere with hydraulic hoses, cutter driveline, or cutter frame.
2. Check for straight-ahead operation and at full turning angles. If there is any interference, remove the lower lift links.
3. Contact between tractor lift links and cutter parts can cause damage, especially when turning.

CV Driveline Turning Limits

NOTICE

- **You must not exceed a turning angle of 80 degrees at the head of the Constant Velocity driveline or damage will occur.**

NOTE: Remove CV drive shipping bracket before operation and discard. This bracket is only supplied on factory assembled units with a CV drive installed.

1. To check for potential excessive turn angle, disconnect the driveline from tractor.
2. Start engine and turn as far right or left as possible.
3. Shut engine off and try to connect CV driveline to tractor. If it cannot be connected, the turn angle is too severe.
4. Restart engine and straighten angle slightly, shut off engine and try to connect CV driveline to tractor.
5. Repeat the process until the driveline can be connected. The point at which the driveline can be connected is the maximum turn that should be made.

Cutting Height Adjustment

NOTICE

- **Avoid ground contact with blades. Striking ground with blades produces one of the most damaging shock loads a cutter can encounter. If this occurs repeatedly, the cutter, driveline, and gearboxes will be damaged.**

Cutting height range is from 1" to 15". A hydraulic cylinder is used for cutting height adjustment.

When selecting a cutting height, you should consider the area of operation. If the ground is rolling and has mounds the blades could contact, set the cutting height accordingly. The cutting height (blade edge) is approximately 1" above the bottom of the side skid.

Cutting Height (Normal Mowing) - Center Section

1. Position the cutter on a hard, level surface and select an approximate cutting height; for example, 6".
2. Raise wings and lock them in the UP position.
3. Raise or lower the center section to obtain a distance of 5" from bottom edge of skid shoe to the ground.
4. Loosen jam nuts on the attitude rod that runs from the wheel yoke to the tongue.
5. Adjust rod in or out until the rear of the cutter is approximately 1/2" higher than the front.
6. Tighten jam nuts against sleeve.

Cutting Height (Normal Mowing) - Wings

1. Lower wings to normal mowing position.
2. Loosen the jam nut on the adjustable link (turn buckle).
3. Lengthening the link will raise the wing, shortening the link will lower the wing. The rear edge of the wing should be parallel to the ground.

When using the cutter to shred, the rear of the cutter deck should be approximately 1/2" to 1" lower than the front.

TRACTOR OPERATION

Use care when operating around tree limbs and other low objects. Avoid being knocked off tractor and being injured.

Only use a tractor with a Roll Over Protection Structure (ROPS) and seat belt. Securely fasten seat belt.

The cutter is operated with tractor controls. Engage the PTO at a low RPM to prevent excessive loads on the cutter drive system. Increase throttle to recommended PTO operating RPM.

Be sure operator is familiar with all controls and can stop tractor and cutter quickly in an emergency. The operator should give complete, undivided attention to operating tractor and cutter.

CUTTER OPERATION

When beginning operation of the cutter, make sure that all persons are in a safe location.

Power for operating the cutter is supplied by the tractor PTO. Operate PTO at 540 (1000 RPM for "Q" models).

Know how to stop the tractor and cutter quickly in an emergency.

Engage PTO at a low engine RPM to minimize stress on the drive system and gearbox.

With PTO engaged, raise PTO speed to 540 or 1000 RPM depending on model and maintain throughout cutting operation.

Gearbox protection is provided by a slip clutch with replacement fiber disc. The slip clutch is designed to slip when excessive torsional loads occur.

Move slowly into material. Adjust tractor ground speed to provide a clean cut without lugging the tractor engine.

Use a slow ground speed for better shredding.

Proper ground speed will depend on the terrain and the material's height, type, and density.

Normally, ground speed will range from 2 to 5 mph. Tall, dense material should be cut at a low speed; thin, medium-height material can be cut at a faster ground speed.

Always operate tractor PTO at proper RPM (540 or 1000 depending on model) to maintain blade speed and to produce a clean cut.

Under certain conditions tractor tires may roll down some grass and prevent cutting at the same height as the surrounding area. When this occurs, reduce your ground speed but maintain PTO at 540 or 1000 RPM.

The lower ground speed will permit grass to rebound partially.

Mowing Tips

WARNING

- **Look down and to the rear and make sure area is clear before operating in reverse.**

WARNING

- **Do not operate or transport on steep slopes.**
- **Do not stop, start, or change directions suddenly on slopes.**
- **Use extreme care and reduce ground speed on slopes and rough terrain.**
- **Watch for hidden hazards on the terrain during operation.**

CAUTION

- **Stop power unit and equipment immediately upon striking an obstruction. Turn off engine, remove key, inspect, and repair any damage before resuming operation.**

Maximum recommended ground speed for cutting or shredding is 6 miles per hour. Adjust tractor ground speed by using higher or lower gears to provide a clean cut without lugging tractor engine.

Tall material should be cut twice. Cut material higher the first pass. Cut at desired height at 90 degrees the second pass.

Remember, sharp blades produce cleaner cuts and use less power.

Before entering an area, analyze it to determine the best procedure. Consider the height and type of material to be cut and the terrain type (hilly, level or rough, etc.).

Shredding

The cutter may be used to shred various crops including green manure, straw, stubble, asparagus residue, corn stalks and similar crops in preparation for tilling. It may also be used to shred pruning in orchards, groves and vineyards.

Each shredding operation may require a different set-up. Start with front edge of cutter high. Adjust up or down as necessary with attitude rod. Experiment until you obtain the results you want.

When shredding attitude is set, check that the distance from the bottom rear edge of the wing to the ground matches the bottom edge of the rear center section to the ground.

TRANSPORTING

WARNING

- Power unit must be equipped with Roll Over Protection System (ROPS) or ROPS cab and seat belt. Keep seat belt securely fastened. Falling off power unit can result in death from being run over or crushed. Keep foldable ROPS system in “locked up” position at all times.
- Always raise unit and install transport locks before transporting. Leak down or failure of mechanical or hydraulic system can cause equipment to drop.
- Always attach safety chain to tractor drawbar when transporting unit.
- Never exceed 20 mph (32.2 km/h) during transport.
- Never allow riders on power unit or attachment.
- Do not operate PTO during transport.
- Do not operate or transport on steep slopes.
- Do not operate or transport equipment while under the influence of alcohol or drugs.

CAUTION

- Always comply with all state and local lighting and marking requirements.

Lock-Up

Always transport with wings and center frame in the raised, locked position.

Wing Lock-Up

1. Raise wing to the up position.
2. Remove klik pin and lock pin from storage position.
3. Place lock pin in lock position and secure with klik pin.
4. Repeat steps 1 to 3 for opposite wing.
5. Lower cylinder against lock-up bars (Figure 2).

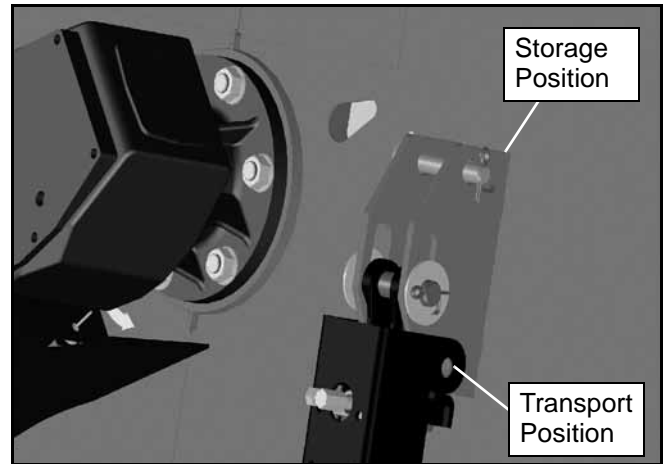


Figure 2. Transport Lock Pin

Center Section Lock-Up

1. Raise cutter with hydraulic cylinder to maximum height.
2. Remove klik pin and lock pin from storage position (Figure 3).

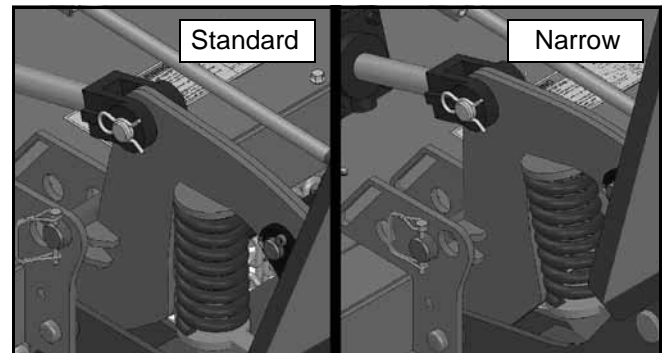


Figure 3. Transport Lock Pin in Standard & Narrow Width Positions

3. Place lock pin and klik pin in lock position and lower cutter against lock pin.
4. For width transport less than 10 feet, place lock pin in narrow transport position. See Figure 3.
5. To lower cutter for operation, extend hydraulic cylinder to raise cutter. Move lock pin from lock position to storage position (Figure 4).
6. Lower cutter to desired cutting height.

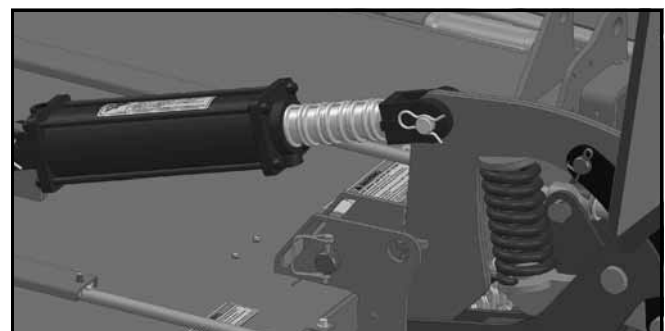


Figure 4. Transport Lock Pin In Operation Position

STORAGE

Follow these steps when storing your cutter:

1. Clean cutter before storing. See page 23 for cleaning instructions. Store on level, solid ground.
2. Disconnect driveline and secure up off the ground.
3. Lower wings to ground.
4. Raise cutter center section and pin transport bar in raised position.
5. Attach parking jack and raise tongue weight off tractor drawbar.
6. Place wedge blocks at front and rear of wheels on center section and each wing to prevent wheel rotation.
7. Securely block all four corners of center section and each wing with jack stands.
8. Remove hydraulic hoses after tractor is turned off and all system pressure is released by operating valve levers several times.
9. Remove safety tow chain.
10. Remove retainer pin and high strength drawbar pin.
11. Keep children and bystanders away from storage area.

PRE-OPERATION CHECK LIST

(OWNER'S RESPONSIBILITY BEFORE EACH USE)

- ___ Review and follow all safety rules and safety decal instructions on page 7 through page 13.
- ___ Check that all safety decals are installed and in good condition. Replace if damaged.
- ___ Check that equipment is properly and securely attached to tractor.
- ___ Make sure driveline spring-activated locking pin or collar slides freely and is seated firmly in tractor PTO spline groove.
- ___ Check all lubrication points and grease as instructed in lubrication information. Make sure

the PTO slip joint is lubricated and that the gear-box fluid levels are correct.

- ___ Set tractor PTO at correct rpm for your equipment.
- ___ Lubricate all grease fitting locations. Make sure PTO shaft slip joint is lubricated.
- ___ Check that all hydraulic hoses and fittings are in good condition and not leaking before starting tractor. Check that hoses are not twisted, bent sharply, kinked, frayed, or pulled tight. Replace any damaged hoses immediately.
- ___ Check that all hardware is properly installed and secured.
- ___ Check cutting height and attitude adjustment.
- ___ Raise and lower equipment to make sure air is purged from hydraulic cylinders and hoses. Raise and lower equipment to make sure air is purged from hydraulic cylinders and hoses.
- ___ Check that blades are sharp and secure and cutting edge is positioned to lead in a counterclockwise rotation for center and right wings, and clockwise for left wing.
- ___ Make sure tractor ROPS or ROPS cab and seat belt are in good condition. Keep seat belt securely fastened during operation.
- ___ Check that shields and guards are properly installed and in good condition. Replace if damaged.
- ___ Before starting engine, operator must be in tractor seat with seat belt fastened. Place transmission in neutral or park, engage brake and disengage tractor PTO.
- ___ Inspect area to be cut and remove stones, branches, or other hard objects that might be thrown and cause injury or damage.
- ___ Inspect rubber or chain shielding and replace any damaged rubber shield or missing links.
- ___ Make sure tractor 3-point lift links do not interfere with hydraulic hoses or driveline throughout full turning range.



OWNER SERVICE

The information in this section is written for operators who possess basic mechanical skills. If you need help, your dealer has trained service technicians available. For your protection, read and follow the safety information in this manual.

WARNING

- Keep all persons away from operator control area while performing adjustments, service, or maintenance.
- Before working underneath, disconnect drive-line from tractor, lower wings to ground, raise cutter, and pin transport bar in raised position. Attach parking jack and lower to ground. Securely block all four corners of center section and each wing with jack stands. Blocking up prevents the cutter from dropping due to hydraulic leak down, hydraulic system failure, or mechanical component failure.
- Service and maintenance work not covered in OWNER SERVICE must be done by a qualified dealership. Special skills, tools, and safety procedures may be required. Failure to follow these instructions can result in serious injury or death.
- Before cleaning, servicing, adjusting, repairing or unplugging, stop tractor engine, place all controls in neutral, set park brake, remove ignition key, and wait for all moving parts to stop.
- Never perform service or maintenance with engine running.

CAUTION

- If you do not understand any part of this manual and need assistance, see your dealer.
- Always wear relatively tight and belted clothing to avoid entanglement in moving parts. Wear sturdy, rough-soled work shoes and protective equipment for eyes, hair, hands, hearing, and head; and respirator or filter mask where appropriate.

BLOCKING METHOD

To minimize the potential hazards of working underneath the cutter, follow these procedures:

WARNING

- Before performing any service or maintenance, lower equipment to ground or block securely, turn off engine, remove key, and disconnect driveline from tractor PTO.
- Never go underneath equipment (lowered to the ground or raised) unless it is properly blocked and secured. Never place any part of the body underneath equipment or between moveable parts even when the engine has been turned off. Hydraulic system leak down, hydraulic system failures, mechanical failures, or movement of control levers can cause equipment to drop or rotate unexpectedly and cause severe injury or death. Follow Operator's Manual instructions for working underneath and blocking requirements or have work done by a qualified dealer.

Do not position jackstands under wheels, axles, or wheel supports. Components can rotate and cause cutter to fall.

1. Jackstands with a load rating of 1000 lbs. or more are the only approved blocking device for this cutter. Install jackstands (shown by Xs in Figure 5) under the cutter before working underneath unit.
2. Consider the overall stability of the blocked unit. Just placing jackstands underneath will not ensure your safety.

The working surface must be level and solid to support the weight on the jackstands. Make sure jackstands are stable, both top and bottom. Make sure cutter is approximately level.

3. With full cutter weight lowered onto jackstands, test blocking stability before working underneath.
4. If cutter is attached to tractor when blocking, set the brakes, remove key, and block cutter before working underneath.
5. Securely block rear tractor wheels, in front and behind.

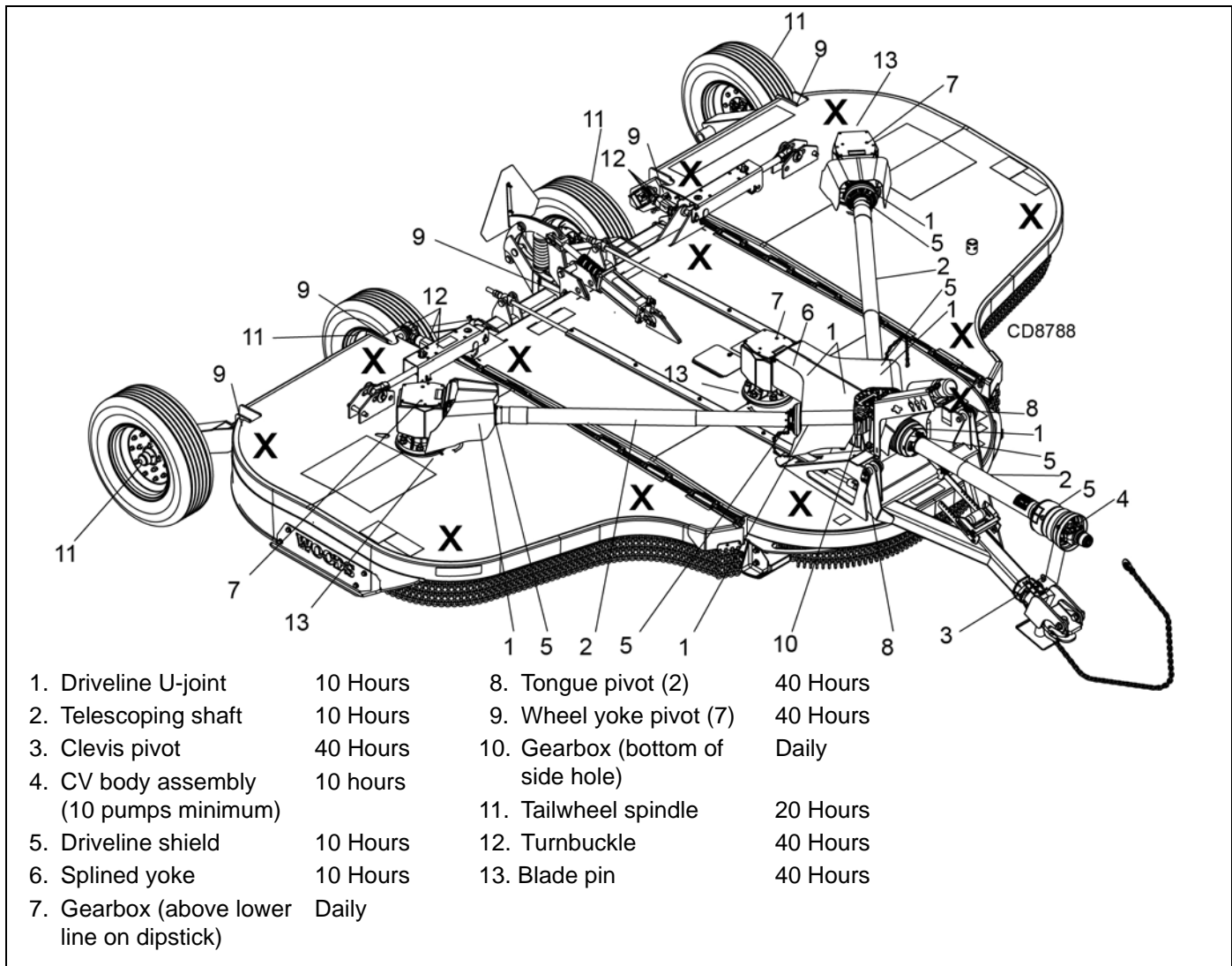


Figure 5. Jackstand Placement and Lubrication Points

LUBRICATION

Do not let excess grease collect on or around parts, particularly when operating in sandy areas.

See Figure 5 for lubrication points and frequency or lubrication based on normal operating conditions. Severe or unusual conditions may require more frequent lubrication.

Use a lithium grease of #2 consistency with a MOLY (molybdenum disulfide) additive for all locations unless otherwise noted. Be sure to clean fittings thoroughly before attaching grease gun. One good pump of most guns is sufficient when the lubrication schedule is followed.

Gearbox Lubrication

For gearbox, use a high quality gear oil with a viscosity index of 80W or 90W and an API service rating of

GL-4 or -5 in gearboxes. Fill gearbox until oil is above lower line on dipstick. Check gearbox oil level daily for evidence of leakage, and contact your dealer if leakage occurs. Check vent plug periodically and clean if it does not relieve pressure.

Driveline Lubrication

1. Lubricate the driveline slip joint every eight operating hours. Failure to maintain proper lubrication could result in damage to U-joints, gearbox, and driveline.
2. Lower cutter to ground, disconnect driveline from tractor PTO shaft, and slide halves apart but do not disconnect from each other.
3. Apply a bead of grease completely around male half where it meets female half. Slide drive halves over each other several times to distribute grease.

Seasonal Lubrication

In addition to the daily recommended lubrication, a more extensive application is recommended seasonally.

1. Fill CV double yokes with 20 pumps of grease with the joints in a straight line.
2. Articulate CV body to maximum angle several times to ensure full coverage of joints.
3. Place joints in the straight position and add 10 additional pumps of grease to both joints.
4. Wipe telescoping drive clean of all old grease and contaminants.
5. Add a thin layer of new grease over telescoping drive.

BLADES

WARNING

■ Before working underneath, read manual instructions, securely block up, and check stability. Secure blocking prevents equipment from dropping due to hydraulic leak down, hydraulic system failure, or mechanical component failure.

Blade Removal (Figure 6)

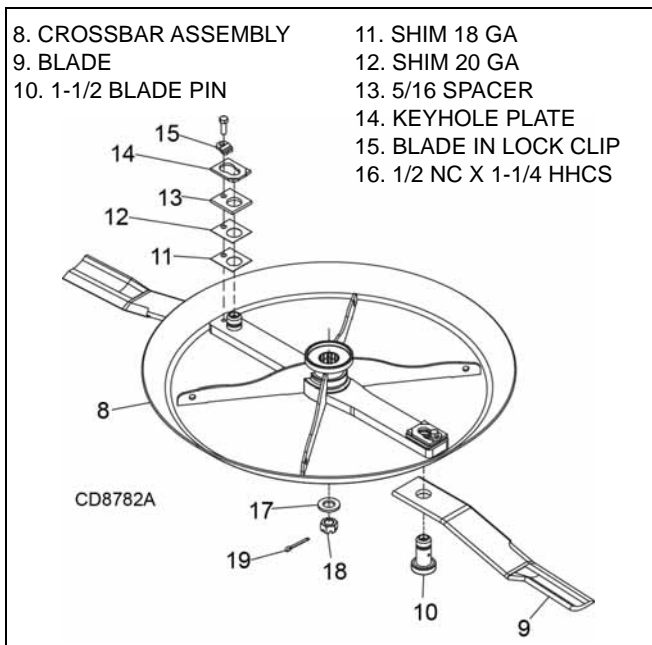


Figure 6. Blade Assembly

1. Disconnect driveline from tractor PTO.
2. Raise cutter and block securely (see Figure 5).

3. Align crossbar (8) with blade access hole in the cutter frame. Remove cap screw (16), blade pin lock clip (15), keyhole plate (14), spacer (13), and shims (11 & 12). Carefully drive blade pin (10) out of crossbar.
4. Rotate crossbar and repeat for opposite blade.

NOTICE

■ If blade pin (10) is seized in crossbar and extreme force will be needed to remove it, support crossbar from below to prevent gearbox damage.

Blade Installation (Figure 6)

CAUTION

■ Your dealer can supply genuine replacement blades. Substitute blades may not meet original equipment specifications and may be dangerous.

■ Crossbar rotation has clockwise rotation on left gearbox and counterclockwise rotation on the right and center gearboxes when looking down on cutter. Be sure to install blade cutting edge to lead in correct rotation.

NOTE: Always replace or sharpen both blades at the same time.

1. Inspect blade pin (10) for nicks or gouges, and if you find any replace the blade pin.
2. Insert blade pin through the blade. Blade should swivel on blade pin; if it doesn't, determine the cause and correct.
3. Align crossbar (8) with blade access hole in cutter frame. Make sure blade offset is down away from cutter.
4. Insert blade pin (10) through blade. Push blade pin through crossbar.
5. Install shims (11 & 12) and spacer (13) over blade pin.
NOTE: Only use enough shims to allow keyhole plate (14) to slide into blade pin groove.
6. Install blade clip (15) over keyhole plate and into blade pin groove.
7. Secure into position with cap screw (16). Torque cap screw to 85 lbs-ft.
8. Grease pin via zerk at end of pin.
9. Repeat steps for opposite side.

NOTE: Blade should be snug but should swivel on pin without having to exert excessive force. Blade should not move more than a 1/4 inch up or down at the tip. Keep any spacers not used in the installation as replacements or for future installation.

Blade Sharpening

NOTICE

■ When sharpening blades, grind the same amount on each blade to maintain balance. Replace blades in pairs. Unbalanced blades will cause excessive vibration, which can damage gearbox bearings. Vibration may also cause structural cracks to cutter.

1. Sharpen both blades at the same time to maintain balance. Follow original sharpening pattern.
2. Do not sharpen blade to a razor edge—leave at least a 1/16" blunt edge.
3. Do not sharpen back side of blade.

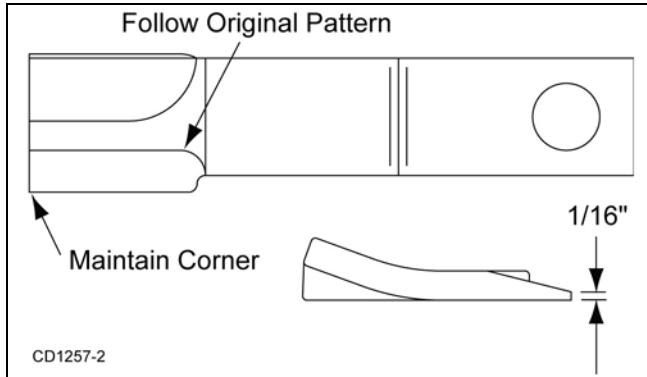


Figure 7. Blade Sharpening

SLIP CLUTCH ADJUSTMENT (FIGURE 8)

The slip clutch is designed to slip so that the gearbox and driveline are protected if the cutter strikes an obstruction.

A new slip clutch or one that has been in storage over the winter may seize. Before operating the cutter, make sure it will slip by performing the following operation:

1. Turn off tractor engine and remove key.
2. Tighten four nuts (12) to remove pressure from the clutch plates (2). Repeat for all three clutches.
3. Start tractor at low throttle and slowly engage PTO and allow clutches to slip for 5 seconds. Disengage PTO and turn off tractor engine.
4. If clutches slip freely, completely loosen nuts (12).
5. If clutch does not slip freely, disassemble and clean plates (4, 6, & 7), flange yoke (1), and clutch hub (3).
6. Reassemble clutch.
7. Tighten Belleville spring (5) with nuts (11) until it is against the thrust plate (4) of the clutch. Back off each of the four nuts (11) until gap between Belleville spring and thrust plate is .236" as shown in Figure 7.
8. If a clutch continues to slip when the spring is compressed to .236" gap, check friction discs (2) for excessive wear. Discs are 1/8" when new. Replace discs after 1/16" wear. Minimum disc thickness is 1/16".

NOTE: When storing cutter for long periods of time, relieve the pressure on the clutch discs by tightening the four nuts (12) on each clutch. Completely loosen nuts (12) to return to service.

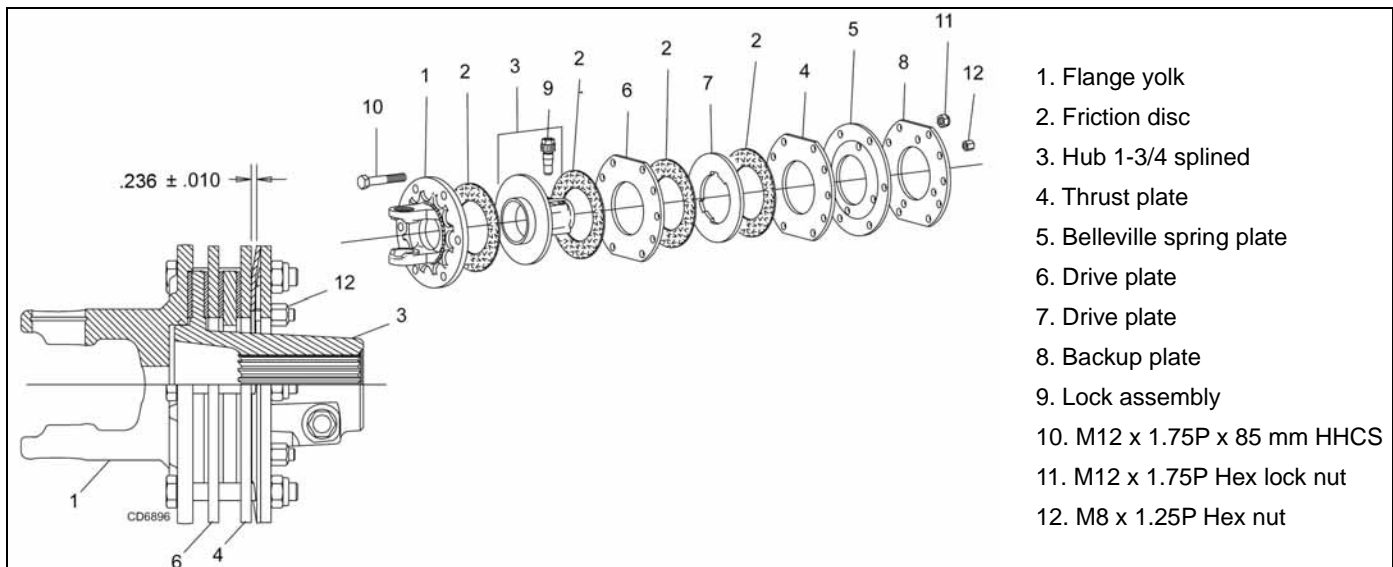


Figure 8. Slip Clutch Assembly

SHIELDING REPAIR

DANGER

■ Full chain shielding must be installed at all times. Thrown objects could injure people or damage property.

- If the machine is not equipped with full chain shielding, operation must be stopped.
- This shielding is designed to reduce the risk of thrown objects. The mower deck and protective devices cannot prevent all objects from escaping the blade enclosure in every mowing condition. It is possible for objects to ricochet and escape, traveling as much as 300 feet (92m).

Repairing Chain Shielding

1. Inspect chain shielding each day of operation and replace any broken or missing chains as required.
2. Replace any missing hardware.

SERVICING TIRES SAFELY

Used Aircraft Tires (Figure 9)

WARNING



Do not attempt to mount a tire unless you have the proper equipment and experience to perform the job.

Always maintain the correct tire pressure. Do not inflate tires above the recommended pressure. Never weld or heat a wheel and tire assembly. The heat can cause an increase in air pressure and result in a tire explosion. Welding can structurally weaken or deform the wheel.

When inflating tires, use a clip-on chuck and an extension hose long enough to allow you to stand to the side — not in front of or over the tire assembly. Use a safety cage if available.

Check wheels for low pressure, cuts, bubbles, damaged rims, or missing lug bolts and nuts.

Never remove split rim assembly hardware (A) with the tire inflated.



Figure 9. Split Rim Tire Servicing

CLEANING

After Each Use

- Remove large debris such as clumps of dirt, grass, crop residue, etc. from machine.
- Inspect machine and replace worn or damaged parts.
- Replace any safety decals that are missing or not readable.

Periodically or Before Extended Storage

- Clean large debris such as clumps of dirt, grass, crop residue, etc. from machine.
- Remove the remainder using a low-pressure water spray.
 1. Be careful when spraying near scratched or torn safety decals or near edges of decals as water spray can peel decal off surface.
 2. Be careful when spraying near chipped or scratched paint as water spray can lift paint.
 3. If a pressure washer is used, follow the advice of the pressure washer manufacturer.
- Inspect machine and replace worn or damaged parts.
- Sand down scratches and the edges of areas of missing paint and coat with Woods spray paint of matching color (purchase from your Woods dealer).
- Replace any safety decals that are missing or not readable (supplied free by your Woods dealer). See Safety Decals section for location drawing.

TROUBLESHOOTING

PROBLEM	POSSIBLE CAUSE	SOLUTION
Does not cut	Dull blades Worn or broken blades Incorrect PTO speed Ground speed too fast Drive not functioning (blades do not turn when PTO is running) Gearbox malfunction Excessive clutch slippage Incorrect blade direction	Sharpen blades. Replace blades. (Replace in pairs only.) Set at rated PTO speed. Reduce ground speed. Check drive shaft connection. Check gearbox. Repair gearbox. Adjust clutch. Check to be sure blade edge is correct for direction of rotation.
Streaks or ragged cut	Broken or worn blades Attitude incorrect Ground speed too fast Excessive cutting height Excessive lush and tall vegetation	Replace or sharpen blades. Level machine. Reduce ground speed. Lower cutting height. (Note: Set height so blades do not frequently hit ground.) Re-cut at 90° to first pass.
Excessive side skid wear	Running with skids continuously on ground	Raise cutting height or adjust.
Excessive clutch slippage	Clutch out of adjustment Clutch discs worn; wear stops contacting opposite plate Blades hitting ground	Adjust clutch. Replace discs. Raise cutting height.
Vibration	Broken blade Bearing failure Hitch length incorrect Universal drive	Replace blades in pairs. Check gearbox shafts for side play. Reset hitch length. Adjust pedestal bearing height to be parallel to ground.
Blades hitting deck	Bent blades or crossbar	Replace bent blades or crossbar.
Unit will not raise	Low oil	Add hydraulic oil.
Unit doesn't cut level	Wing section cuts lower than center Wing section cuts higher than center	Lengthen turnbuckle connecting center yoke to wing wheel yoke. Shorten turnbuckle connecting center yoke to wing wheel yoke.

DEALER SERVICE

The information in this section is written for dealer service personnel. The repair described here requires special skills and tools. If your shop is not properly equipped or your mechanics are not properly trained in this type of repair, you may be time and money ahead to replace complete assemblies.

WARNING

- Before working underneath, read manual instructions, securely block up, and check stability. Secure blocking prevents equipment from dropping due to hydraulic leak down, hydraulic system failure, or mechanical component failure.
- Keep all persons away from operator control area while performing adjustments, service, or maintenance.

CAUTION

- Always wear relatively tight and belted clothing to avoid getting caught in moving parts. Wear sturdy, rough-soled work shoes and protective equipment for eyes, hair, hands, hearing, and head; and respirator or filter mask where appropriate.

GEARBOX MAINTENANCE

NOTE: Read this entire section before starting any repair. Many steps are dependent on each other.

1. Fill gearbox with SAE 80W or 90W gear lube. Proper oil level is between lowest ring and end of dipstick.

NOTE: Repair to this gearbox is limited to replacing bearings, seals, and gaskets. Replacing gears, shafts, and a housing is not cost effective. Purchasing a complete gearbox is more economical.

2. Inspect gearbox for leakage and bad bearings. Leakage is a very serious problem and must be corrected immediately.

NOTE: Bearing failure is indicated by excessive noise and side-to-side or end-play in gear shafts.

Seal Replacement (Figure 10)

Recommended sealant for gearbox repair is Permatex® Aviation 3D Form-A-Gasket or equivalent.

Leakage can occur at the vertical or horizontal gaskets and shaft seals.

Leakage at the horizontal gasket or seal can be repaired without removing the gearbox from the cutter.

Seal Installation

NOTE: Proper seal installation is important. An improperly installed seal will leak.

1. Clean area in housing where seal outer diameter (OD) seats. Apply a thin coat of Permatex.
2. Inspect area of shaft where seal seats. Remove any burrs or nicks with an emery cloth.
3. Lubricate gear shaft and seal lips.
4. Place seal squarely on housing, spring-loaded lip toward housing. Select a piece of pipe or tubing with an OD that will sit on the outside edge of the seal but will clear the housing. Tubing with an OD that is too small will bow seal cage and ruin seal.
5. Carefully press seal into housing, avoiding distortion to the metal seal cage.

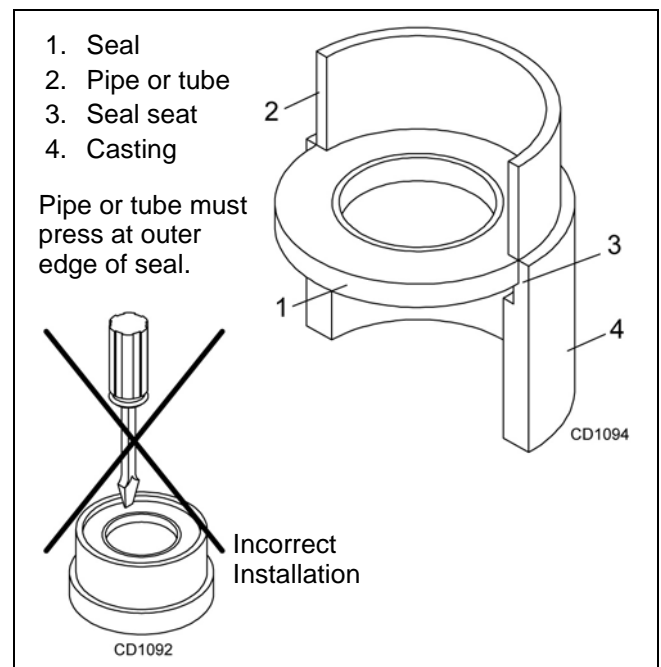


Figure 10. Seal Installation

Vertical Shaft Seal Replacement (Figure 11)

1. Disconnect and remove the rear driveline from the gearbox.
2. Remove drain plug and drain gear lube from housing. Replace plug when empty.
3. Remove crossbar (see page 30).
4. Remove protective seal (8) and vertical shaft seal (18). Replace seal (18) with new seal.

Vertical seal should be recessed in housing. Horizontal seal (19) should be pressed flush with outside of housing.

NOTE: Distortion to seal cage or damage to seal lip will cause seal to leak.

5. Fill gearbox with SAE 80W or 90W gear lube until it runs out the level plug.
6. Remove and replace any seal damaged in installation.

Horizontal Shaft Seal Replacement (Figure 11)

1. Disconnect and remove the rear driveline from the gearbox.
2. Remove drain plug and drain gear lube from housing. Replace plug when empty.
3. If the leak occurred at either end of horizontal shaft, remove oil cap (20) and/or oil seal (19). Replace with new one.
4. Fill gearbox with SAE 80W or 90W gear lube to proper level.

GEARBOX REPAIR

Removal from Cutter (Figure 11)

NOTE: Gearbox is heavy: do not attempt to move without mechanical assistance.

1. Disconnect and remove the rear driveline from the gearbox.
2. Remove cotter pin and nut from vertical shaft and remove crossbar (see page 30).
3. Remove the six bolts that attach gearbox to cutter and remove gearbox.

Disassembly (Figure 11)

1. Remove top cover (22) from gearbox and pour out gear oil.
2. Remove oil cap (20) (to be replaced).
3. Remove snap ring (10) and shim (13) from input shaft (3).
4. Support gearbox in hand press and push on input shaft (3) to remove bearing (7).

5. Remove six cap screws (23) and top cover (22) from housing. Remove gear (1) from inside housing.
6. Remove oil seal (19) from front of housing (to be replaced).
7. Remove snap ring (10) and shim (13) from front of housing (2).
8. Remove input bearing (7) by using a punch and hammer from outside of housing.
9. Support housing in vise in a horizontal position.
10. The castle nut (15), cotter pin (25), and hub are already removed with the stump jumper/crossbar. Remove the protective seal (8), and oil seal (18).
11. Remove cotter pin (9), castle nut (14), and shim (17) from output shaft (4).
12. Remove output shaft (4) by using a punch and hammer and tap on top to drive down. Remove gear (5) and shim (16) from inside housing.
13. Remove bottom bearing (26) by using a punch and hammer from the top, outside the housing.
14. Support housing upside down (top cover surface) and remove bottom bearing (6) by using a punch and hammer from the bottom side of the housing.
15. Inspect gears for broken teeth and wear. Some wear is normal and will show on loaded side. Forged gear surfaces are rough when new. Check that wear pattern is smooth.
16. Inspect vertical and horizontal shafts for grooves, nicks, or bumps in the areas where the seals seat. Resurface any damage with emery cloth.
17. Inspect housing and caps for cracks or other damage.

Assembly (Figure 11)

1. Clean housing, paying specific attention to areas where gaskets will be installed.
2. Wash housing and all components thoroughly. Select a clean area for gearbox assembly. Replace all seals, bearings, and gaskets. All parts must be clean and lightly oiled before reassembling.
3. Insert both output bearings (6) in the housing, using a round tube of the correct diameter and a hand press.
4. Slide output shaft (4) through both bearings (6) until it rests against top bearing (6).
5. Slide shim (16) over output shaft (4).
6. Press gear (5) onto output shaft (4) and secure with shim (17), castle nut (14), and cotter pin (9).
7. Apply grease to lower seal lips (18) and press seal (18) over output shaft (4), using a tube of the

correct diameter. Be sure not to damage the seal lip.

8. Press in housing so that seal is recessed. Press protective seal (8) until seated flush with housing. Verify that the seal (8) is seated correctly.
9. Press bearing (7) into the housing, using a round tube of the correct diameter and a hand press. Secure with shim (13) and snap ring (10).
10. Secure snap ring (11) on input shaft (3) if not already secure.
11. Place gear (1) through top of housing and align gear (1) and gear (5) so that gear teeth are a match.
12. While holding gear (1) in place, slide input shaft (3) through gear (1) and bearing (7). Align splines on shaft (3) and gear (1).
13. Slide shim (12) over input shaft (3) and press bearing (7) onto input shaft (3), using a round tube of the correct diameter and a hand press.
14. Slide shim (13) over input shaft (3) and secure with snap ring (10).
15. Check input shaft end float by moving the input shaft (3) by hand. If end float is higher than 0.012", insert shim between input shaft (3) and rear bearing (7). Repeat until end float is less than

0.012". Check rotational torque by hand. The torque should be less than 2.2 lbs-inch.

16. Check that the gear backlash is between 0.006" and 0.016". You should not have to adjust the backlash.
17. Press in input oil seal (19), using tube of correct diameter. Be careful not to damage seal lip.
18. Press oil cap (20) on to cover the rear of housing, using a tube of the correct diameter.
19. Place top cover (22) on top of housing and secure with six cap screw (23).
20. Check gearbox housing for leaks by plugging all holes except one. Apply 4 psi compressed air and immerse the gearbox in water to verify that there are no leaks.
21. Remove gearbox from water and dry off with compressed air. Add SAE 80W or 90W EP oil to proper level. Tighten all plugs.

Reinstallation

NOTE: Gearbox is heavy: do not attempt to move without mechanical assistance.

1. Set gearbox on cutter and fasten with bolts and nuts. Torque bolts to 300 lbs-ft.
2. Attach crossbar (Crossbar Installation, page 31).

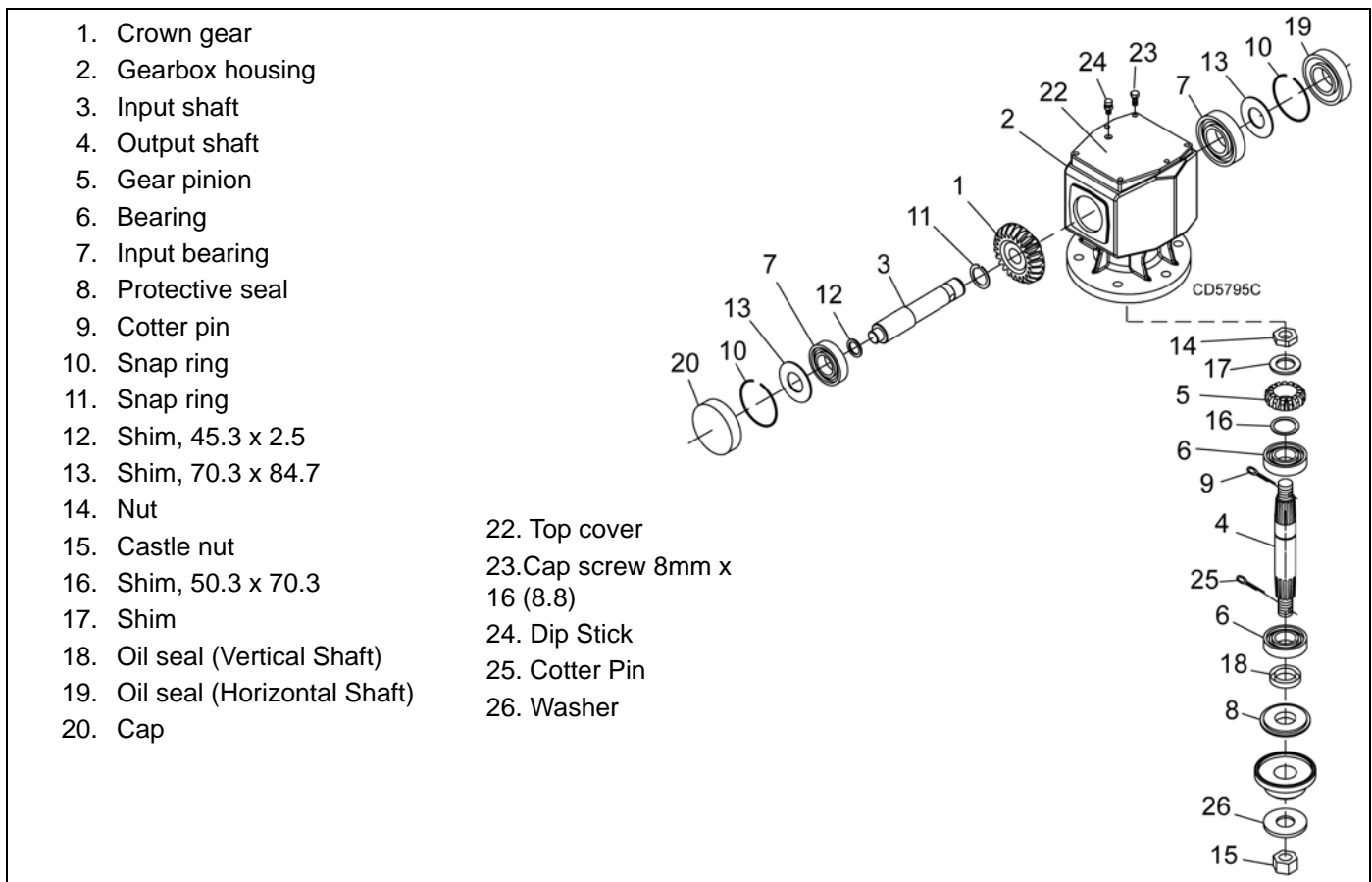


Figure 11. Gearbox

SPLITTER GEARBOX REPAIR (Figure 12)

Removal from Cutter

1. Disconnect and remove all drivelines from gearbox.
2. Remove the four cap screw and lock washers that secure gearbox to cutter, and remove gearbox.

NOTE: Gearbox is heavy: do not attempt to move it without mechanical assistance.

Disassembly

Center Shaft

1. Remove plug from side of gearbox and pour out the gear oil.
2. Remove seal (11, to be replaced) from the front and rear of the center shaft (14).
3. Remove snap ring (10) and shim (12) from the front and rear of the center shaft (14).
4. Support gearbox in a hand press and push on the rear of the center shaft.
5. Remove bearing (13) from center shaft (14).
6. Remove six cap screws (20) and top cover (21) from the gearbox housing.
7. Remove gear (17) and bearing (16).
8. Snap ring (15) does not have to be removed from shaft (14) unless it is damaged.

Side Shaft

9. Remove seal (2, to be replaced) from the output shaft (1).
10. Remove snap ring (4) and shim (8) from output shaft (1).
11. Support gearbox in hand press. Using a punch through the front opening of the gearbox and, push shaft (1) and bearing (5) out the backside of housing.
12. Remove gear (6) from inside housing.
13. Remove bearing (7) and shim (8) by using a hammer and punch through front opening of the gearbox and force them out the backside of the housing.
14. Repeat steps 7 through 11 for opposite side shaft.

Inspect Components

15. Inspect gears for broken teeth and wear. Some wear is normal and will show on the loaded side of the teeth. Forged gear surfaces are rough when new. Check that wear pattern is smooth.
16. Inspect shafts for grooves, nicks, or bumps in the areas where seals seat. Resurface any damage with emery cloth or replace shaft.

17. Inspect housing and caps for cracks or other damage.

Assembly

1. Clean housing, pay specific attention to areas where gaskets are installed.
2. Wash housing and all components thoroughly.
3. Select a clean work area to assemble gearbox.
4. Replace all seals, bearings, and gaskets.
5. All parts must be clean and lightly oiled before assembly.

Side Shaft

6. Insert bearing (7) and shim (8) in housing using a round tube of the same size diameter and a hand press.
7. Place gear (6) inside the housing and slide output shaft (1) through gear (6) and into bearing (7).
8. Slide bearing (5) and shim (8) over output shaft. Secure with snap ring (4).
9. Check end play of shaft by moving it in and out. If end play is more than 0.012", insert another shim (8) between snap ring and bearing. Repeat process until end play is less than 0.012".
10. Check rotational torque. Torque should be less than 2.2 lbs-inch gear.
11. Place seal (2) over shaft and press into housing using a tube of the same diameter. Seal should be flush with housing when properly installed.
12. Repeat steps 6 through 10 for opposite side shaft.

Center Shaft

13. Place gear (17) inside housing and slide center shaft (14) through the gear from the front of the housing.
14. Slide bearings (16 & 13) and shims (12) over each end of the center shaft (14). Secure bearings into position using snap rings (10).
15. Check end play of shaft by moving it in and out. If end play is more than 0.012", insert another shim (12) between snap ring and bearing. Repeat process until end play is less than 0.012".
16. Check rotational torque. Torque should be less than 2.2 lbs-inch gear.
17. Check gear backlash, backlash should be between 0.006" and 0.016". You should not have to adjust for backlash.
18. Place seal (11) over shaft and press into housing using a tube of the same diameter. Seal should be flush with housing when properly installed. Repeat process for opposite end shaft.

Check Gearbox

1. Place top cover (21) on housing and secure into position using six cap screws (20).
2. Check gearbox for leaks by: plugging all holes except one, applying 4 psi of compressed air, and immersing gearbox in water. Verify gearbox does not leak.
NOTE: Excessive air pressure will damage seals.
3. Remove gearbox from water and dry off.
4. Remove upper plug (3) on right side of housing. Add SAE 80W or 90W EP oil until it runs out side level hole. Replace plug.

5. Install breather (18) in top cover.

Reinstallation on Cutter

NOTE: Gearbox is heavy: do not attempt to move it without mechanical assistance.

1. Place gearbox on cutter and secure into position using four cap screws and lock washers.
2. Torque hardware to 300 lbs-ft.
3. Attach all drivelines to gearbox.
4. Install all shields.

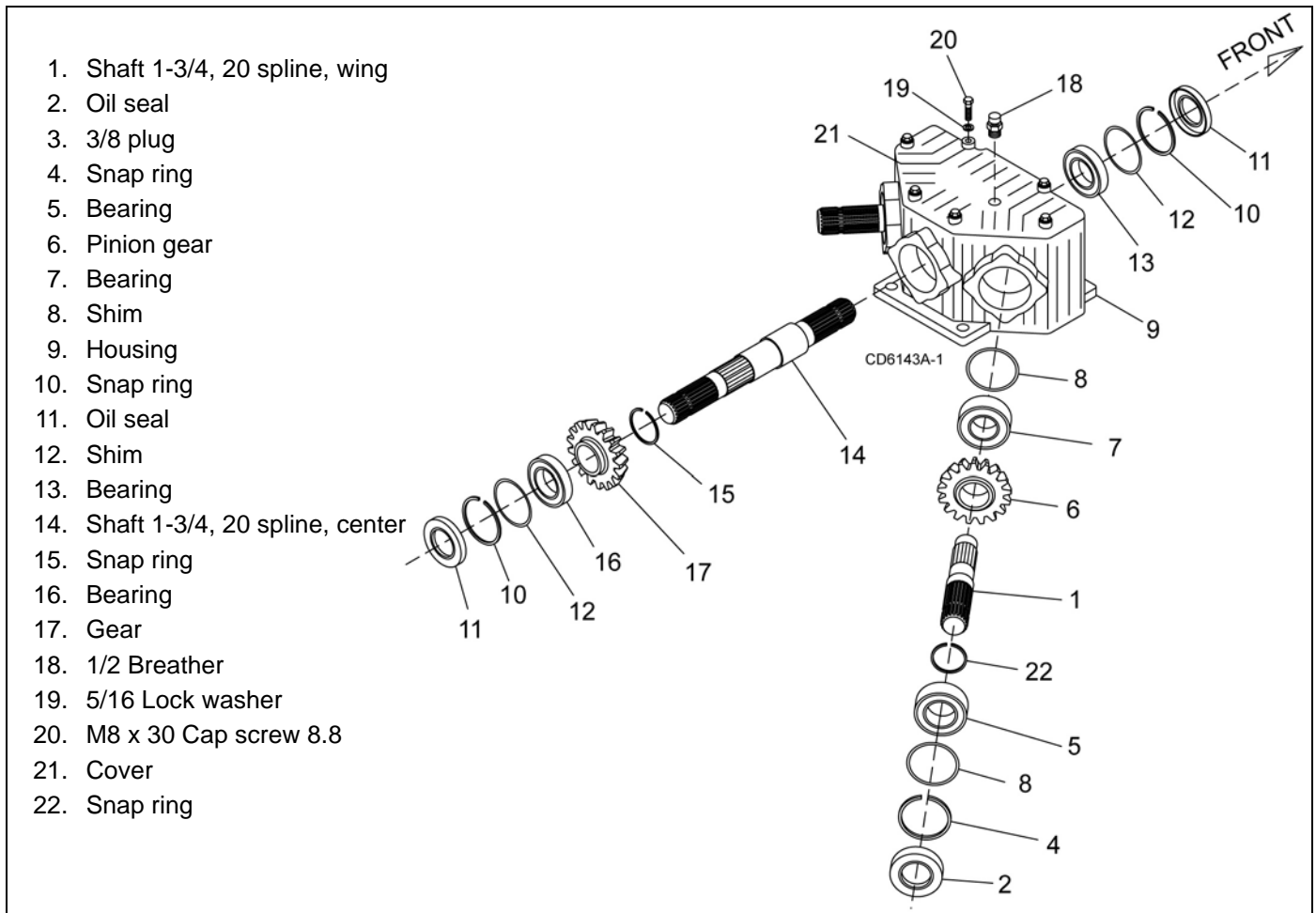


Figure 12. Splitter Gearbox Assembly

CROSSBAR REMOVAL

1. It is necessary to gain access to bottom side of cutter for crossbar removal. See Blocking Method page 19.

NOTE: You will need to use either the puller screw (Item 6, Figure 14) or a small hydraulic jack to remove the crossbar.

2. Remove blades from crossbar as shown in Figure 13.

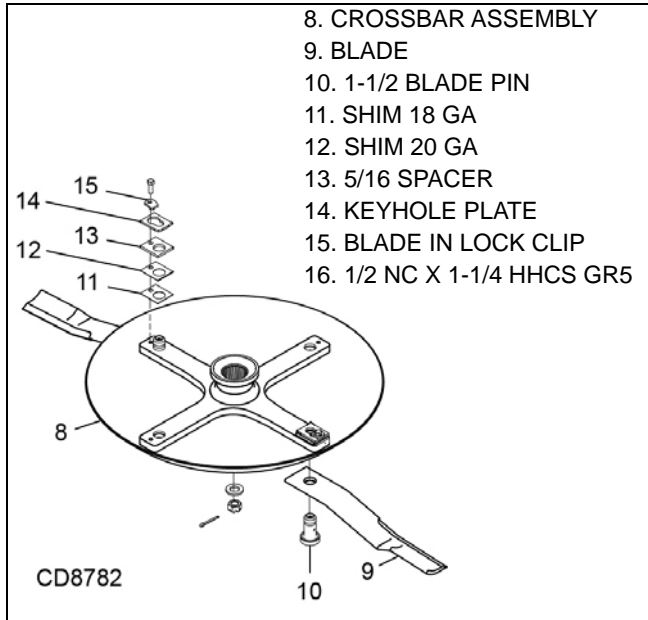


Figure 13. Blade Removal

3. Refer to Figure 14. Remove cotter pin from bottom of crossbar and remove nut and washer.
4. Attach a clevis (1) to each end of crossbar, using blade pins, spacers, keyhole plates, and blade pin clips.
5. Position tube assembly (5) with threaded nut (4) toward crossbar for puller screw removal or down for hydraulic jack removal.
6. For removal with puller screw, attach tube (5) to each clevis with bolts (2) and nuts (3). Place pad (4) in nut and thread puller screw (6) into nut from bottom. Tighten until pad is solid against gearbox shaft. For best results, strike head of puller screw with a hammer while tightening with a wrench.
7. For removal with a jack, attach tube to each clevis with puller links (7), bolts (2), and nuts (3). Place jack on tube with end of jack pressing against gearbox shaft. Slowly apply force with jack.

NOTE: Hydraulic jack will not operate if tipped more than 90°. Use care to prevent bending crossbar during removal.

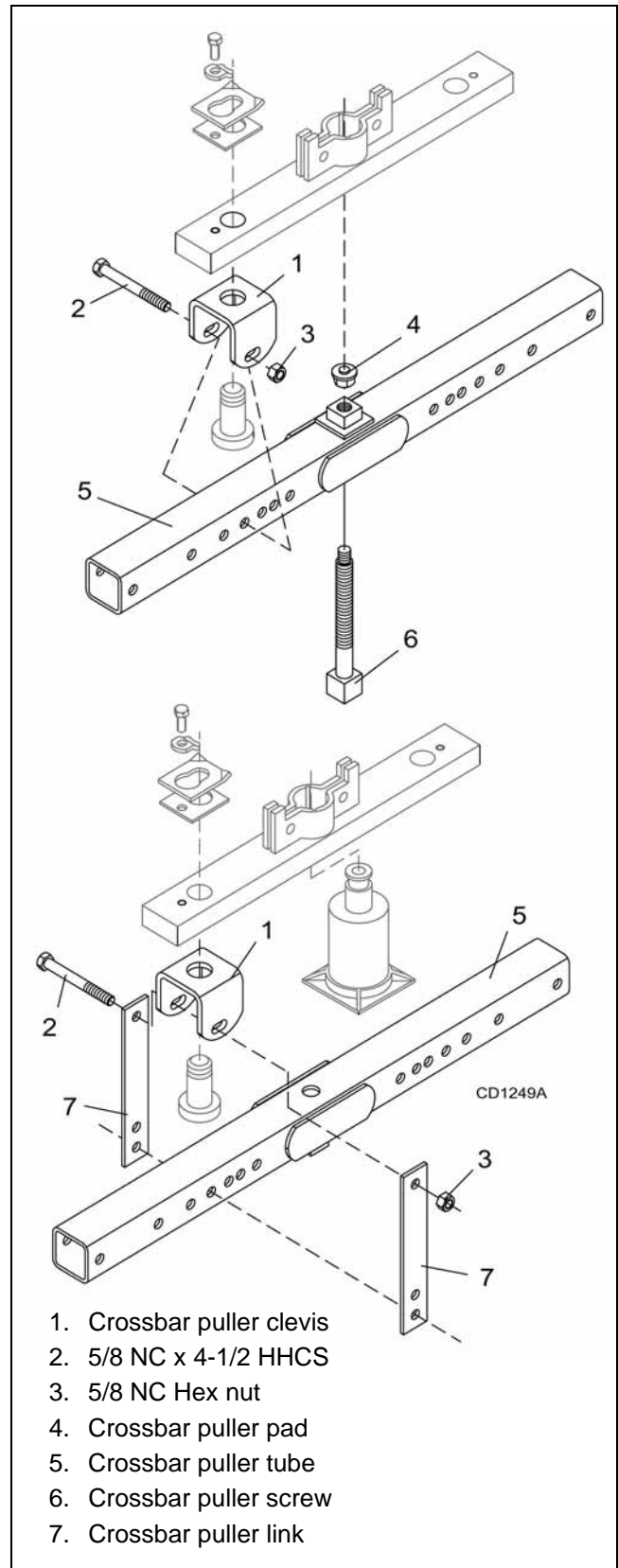


Figure 14. Crossbar Removal

CROSSBAR INSTALLATION

1. Using emery cloth (220 or finer), remove surface rust, Loctite® and foreign material from hub, splined gearbox vertical shaft, and crossbar assembly.
2. Slide crossbar assembly (10) onto splined shaft. Install washer (71) and nut (72) and align a slot with hole in splined shaft. Torque nut to 450 lbs-ft.
3. Install cotter pin (73) through slot in nut and bend ends over.

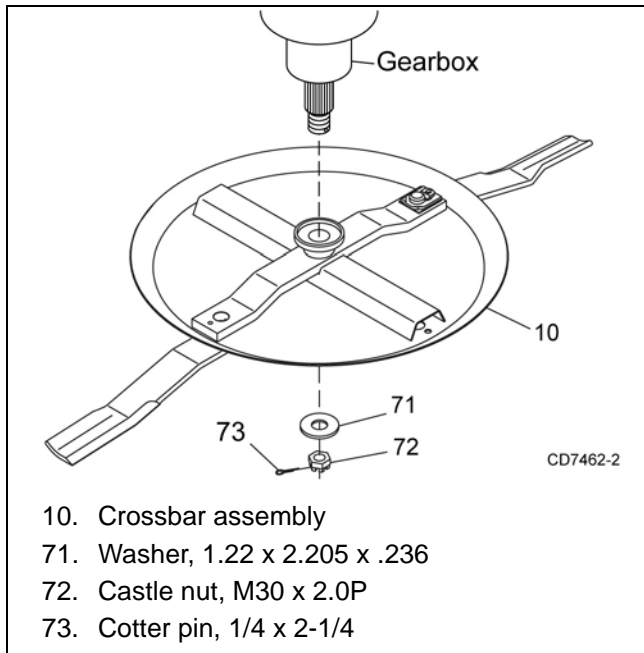


Figure 15. Crossbar Assembly Installation

UNIVERSAL JOINT REPAIR

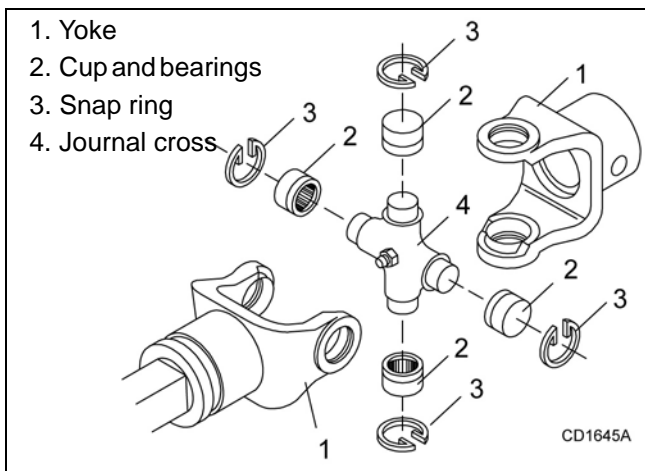


Figure 16. U-Joint Exploded View

U-Joint Disassembly

1. Remove external snap rings from yokes in four locations as shown in Figure 17.

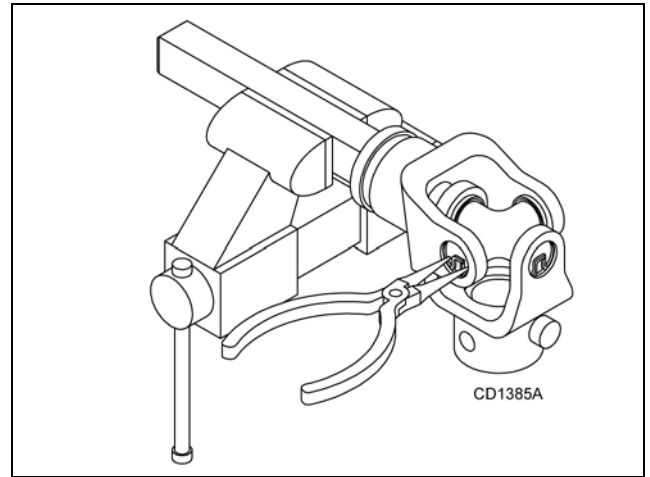


Figure 17

2. With snap rings removed, support drive in vise, hold yoke in hand and tap on yoke to drive cup up out of yoke. See Figure 18.

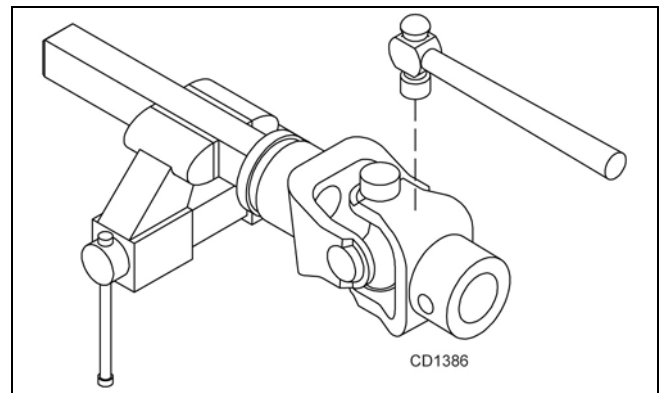


Figure 18

3. Clamp cup in vise as shown in Figure 19 and tap on yoke to completely remove cup from yoke. Repeat step 2 and step 3 for opposite cup.

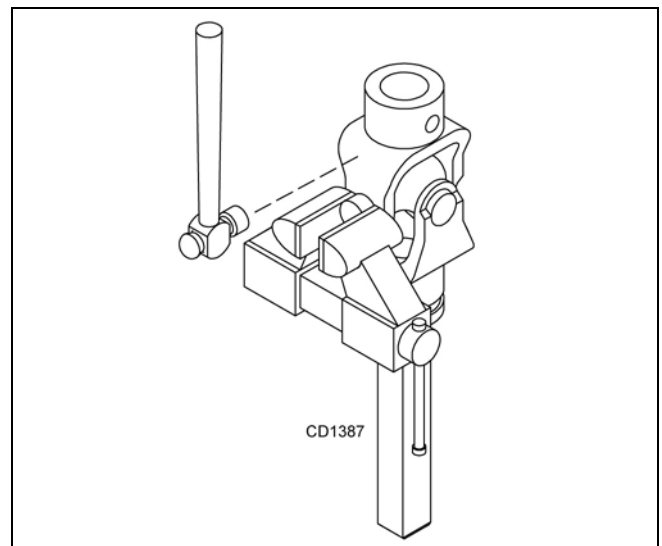


Figure 19

- Place universal cross in vise as shown in Figure 20 and tap on yoke to remove cup. Repeat Step 3 for final removal. Drive remaining cup out with a drift and hammer.

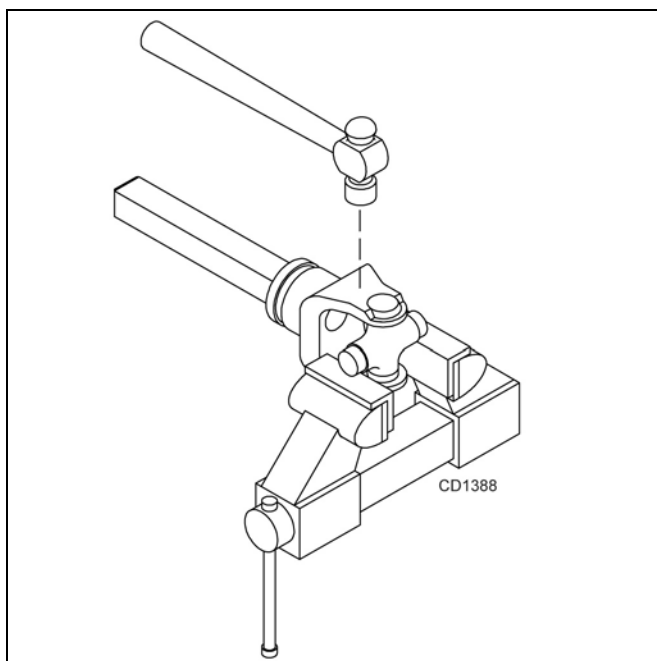


Figure 20

U-Joint Assembly

- Place seals securely on bearing cups. Insert cup into yoke from outside and press in with hand pressure as far as possible. Insert journal cross into bearing cup with grease fitting away from shaft. Be careful not to disturb needle bearings. Insert another bearing cup directly across from first cup and press in as far as possible with hand pressure.
- Trap cups in vise and apply pressure. Be sure journal cross is started into bearings and continue pressure with vise, squeezing in as far as possible. Tapping the yoke will help.
- Seat cups by placing a drift or socket (slightly smaller than the cup) on cup and rap with a hammer. Install snap ring and repeat on opposite cup.
- Repeat Step 1 and Step 2 to install remaining cups in remaining yoke.
- Move both yokes in all directions to check for free movement. If movement is restricted, rap on yokes sharply with a hammer to relieve any tension. Repeat until both yokes move in all directions without restriction.

SERVICING TIRES SAFELY

Used Aircraft Tires (Figure 21)

⚠ WARNING



Do not attempt to mount a tire unless you have the proper equipment and experience to perform the job.

Always maintain the correct tire pressure. Do not inflate tires above the recommended pressure. Never weld or heat a wheel and tire assembly. The heat can cause an increase in air pressure and result in a tire explosion. Welding can structurally weaken or deform the wheel.

When inflating tires, use a clip-on chuck and an extension hose long enough to allow you to stand to the side — not in front of or over the tire assembly. Use a safety cage if available.

Check wheels for low pressure, cuts, bubbles, damaged rims, or missing lug bolts and nuts.

Never remove split rim assembly hardware (A) with the tire inflated.



Figure 21. Split Rim Tire Servicing

ASSEMBLY INSTRUCTIONS

DEALER SET-UP INSTRUCTIONS

Assembly of this cutter is the responsibility of the WOODS dealer. It should be delivered to the owner completely assembled, lubricated and adjusted for normal cutting conditions.

The cutter is shipped partially assembled. Assembly will be easier if components are aligned and loosely assembled before tightening hardware. Recommended torque values for hardware are located on page 62.

Select a suitable working area. A smooth hard surface, such as concrete, will make assembly much quicker. Open parts boxes and lay out parts and hardware to make location easy. Refer to illustrations, accompanying text, parts lists and exploded view drawings.

Complete the check list on page 35 when assembly is complete and cutter is delivered to the customer.

WARNING

■ Before working underneath, carefully read Operator's Manual instructions, disconnect driveline, raise mower, securely block up all corners with jackstands, and check stability. Secure blocking prevents equipment from dropping due to hydraulic leak down, hydraulic system failures, or mechanical component failures.

■ Do not disconnect hydraulic lines until machine is securely blocked or placed in lowest position and system pressure is released by operating valve levers.

CAUTION

■ Always wear relatively tight and belted clothing to avoid entanglement in moving parts. Wear sturdy, rough-soled work shoes and protective equipment for eyes, hair, hands, hearing, and head; and respirator or filter mask where appropriate.

Small Aircraft Tires	Attitude Rod Length Beyond Nuts (34)
Tongue at 11"	3.5
Tongue at 18"	1.75
Large Aircraft Tires	
Tongue at 11"	4.5
Tongue at 18"	2.5

Install Wheel

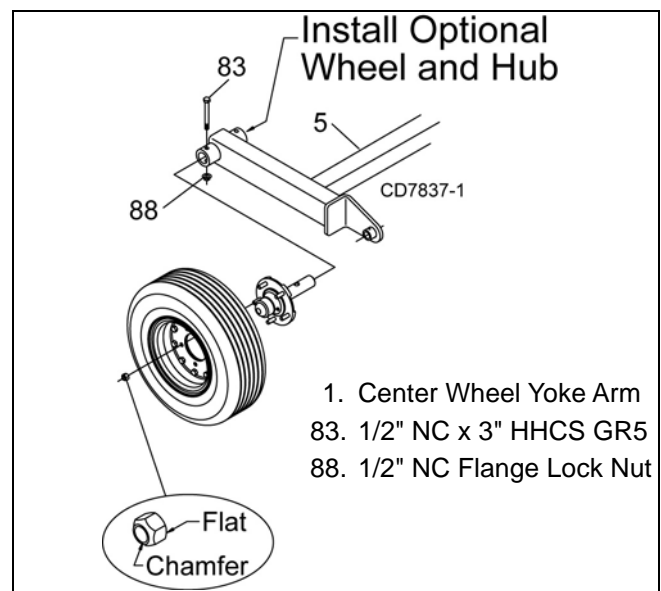


Figure 22. Center Section Wheel and Hub Installation

Install Wing Wheel (Figure 23)

1. Insert wheel hub into wing wheel yoke arms (5) and align holes.
2. Secure into position using cap screw (83) and flanged lock nut (88).
3. Attach wheel to hub using five lug nuts. Install the chamfered side of the lug nut toward the inside for steel rim for pneumatic tires and rims. Tighten to 85 lbs-ft. Check that tire air pressure is a maximum of 40 psi.

NOTE: Install the flat side of the nut toward the inside for solid tires and aircraft tires (shown).

4. Install optional dual wheel and hub to inside of wheel yoke arm.

NOTE: Pneumatic (BW15.70 and BW15.70Q only), notat, and airplane tires are available for this cutter. See page 51 for parts list.

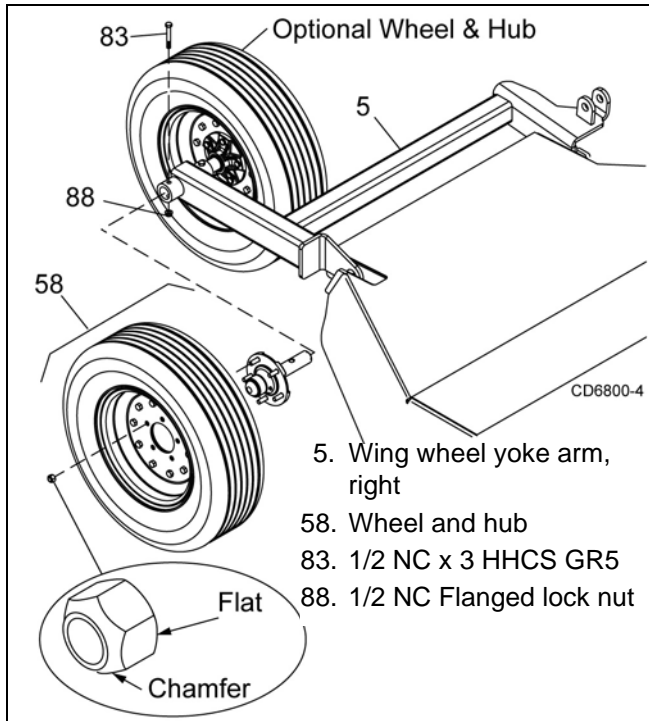


Figure 23. Wing Wheel - Right

Winch Kit Installation (Optional)

Refer to page 59 for Installation and Operation instructions.

Tandem Axle Arm Installation (Optional)

Refer to page 60 for Installation and Operation instructions.

Shredding Kit Installation (Optional)

Refer to page 61 for Installation and Operation instructions.

Double Chain Installation (Optional)

NOTICE

DO NOT REMOVE SINGLE ROW CHAIN AS INSTALLED FROM FACTORY. THE DOUBLE ROW CHAIN KIT IS AN ADDITION TO STANDARD SINGLE ROW CHAIN SHOWN.

1. Raise unit to full height and install transport lock pin. See page 17. Refer to page 19 for blocking instructions.
2. Remove one single chain locking bracket from unit at a time.
3. Compare removed bracket with new double lock brackets to identify correct new part. Refer to Figure 24 for example.

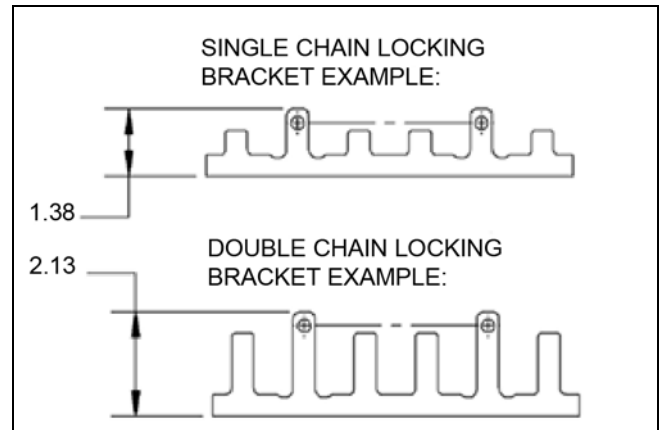


Figure 24.

4. Leave single chain in place except where noted.
5. Install chain as shown on pages 53 & 54, doubling over on center link and sliding over extended finger. Center chain loop may be vertical or horizontal as required for installation.
6. Install new lock bracket and attach with new hardware provided.
7. Repeat for each individual locking bracket.
8. Install rear chain flap on wing tail wheel arms if wing arm has lug for attachment. Discard if no lug in wheel arm. See page 53.

DEALER CHECK LISTS

PRE-DELIVERY CHECK LIST

(DEALER'S RESPONSIBILITY)

Inspect the equipment thoroughly after assembly to ensure it is set up properly before delivering it to the customer.

The following check lists are a reminder of points to inspect. Check off each item as it is found satisfactory or after proper adjustment is made.

- ___ Check that all safety decals are installed and in good condition. Replace if damaged.
- ___ Check that shields and guards are properly installed and in good condition. Replace if damaged.
- ___ Check all bolts to be sure they are properly torqued.
- ___ Check wheel bolts for proper torque.
- ___ Check that all cotter pins and safety pins are properly installed. Replace if damaged.
- ___ Check that blades have been properly installed.
- ___ Check and grease all lubrication points as identified in lubrication information on page 20.
- ___ Check the level of gearbox fluids before delivery. Service, if required, as specified in the lubrication information on page 20.

DELIVERY CHECK LIST

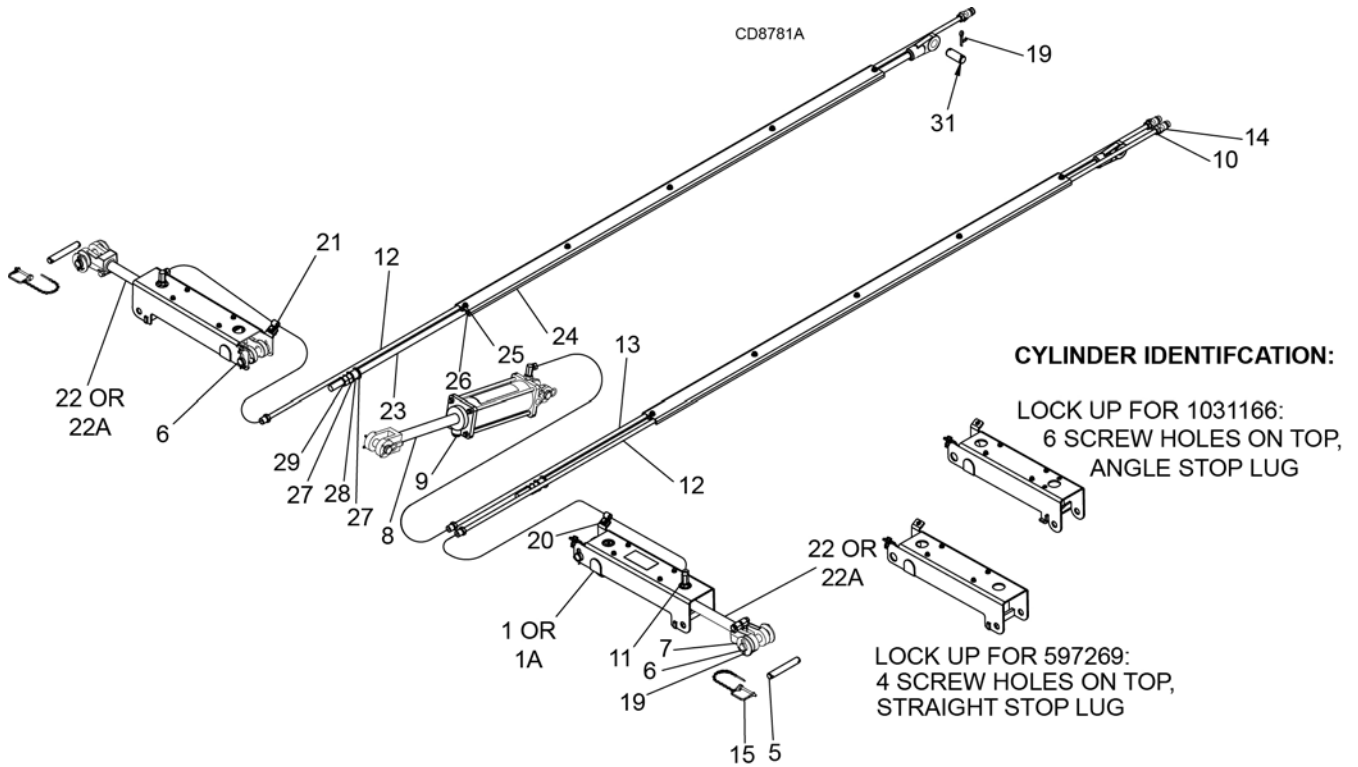
(DEALER'S RESPONSIBILITY)

- ___ Show customer how to make adjustments and select proper PTO speed.
- ___ Show customer how to make sure driveline is properly installed and that spring-activated locking pin or collar slides freely and is seated in groove on tractor PTO shaft.
- ___ Show customer how to determine the turning limits of the CV PTO driveline.

- ___ Show customer the safe, proper procedures to be used when mounting, dismounting, and storing equipment.
- ___ Make customer aware of optional equipment available so that customer can make proper choices as required.
- ___ Instruct customer how to lubricate and explain importance of lubrication.
- ___ Point out the safety decals. Explain their meaning and the need to keep them in place and in good condition. Emphasize the increased safety hazards when instructions are not followed.
- ___ Explain to customer that when transporting the cutter, the wing and center sections should be raised and their respective transport bars installed and pinned in place.
- ___ Present Operator's Manual and request that customer and all operators read it before operating equipment. Point out the manual safety rules, explain their meanings and emphasize the increased safety hazards that exist when safety rules are not followed.
- ___ Explain to customer the potential crushing hazards of going underneath raised equipment. Instruct that before going underneath to disconnect the driveline, securely block up all corners with jack stands and to follow all instructions in the BLOCKING METHOD, page 19 of the operator's manual. Explain that blocking up prevents equipment dropping from hydraulic leak down, hydraulic system failures or mechanical component failures.
- ___ Point out all guards and shields. Explain their importance and the safety hazards that exist when not kept in place and in good condition.
- ___ Explain to customer that when towing on a public road to comply with all state and local lighting/marketing laws and to use a safety tow chain.

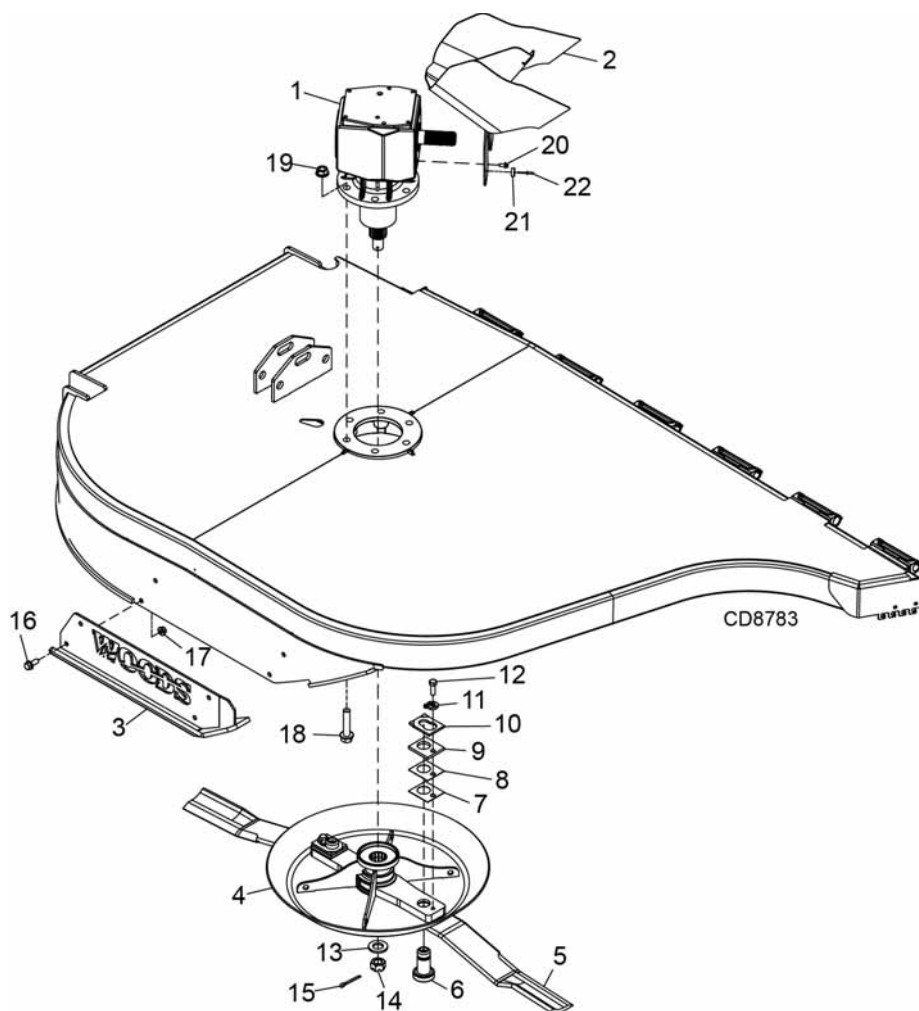
NOTES

CYLINDER ASSEMBLY



REF	PART	QTY	DESCRIPTION	REF	PART	QTY	DESCRIPTION
1	1044950RP	2	Wing Lock (for cylinder 1031166 see page 56)	19	1285	12	1/4 x 1-1/2 cotter pin
1A	1045815RP	2	Wing Lock (for cylinder 597269 see page 55)	20	71632	2	Bolt .312-18 x 1
5	1045071	2	Pin .75 X 5.08	21	78059	2	Clamp .50 DIA steel cushion
6	8346	4	Pin 1.00 X 4.58	22	1031166	2	Cylinder, 3.0 x 1.25 x 10.0 NPT8
7	832	4	Washer 1"	22A	597269	2	Cylinder, 3.0 x 1.25 x 10.0 NPT8
8	10475	1	Hydraulic cylinder 3-1/2 x 8	23	1045612RP	2	Attitude rod, 1.0
9	11975	1	1/2 NPT vent plug	24	1045080RP	2	Hose cover channel
10	W11893	3	Adapter 1/4 NPTF 1/2 NPTM	25	1045655	10	Nut, HFN 5/16 NC, Dri-Loc patch
11	10290	3	1/4 x 1/4 90 EL 1/16 restrictor	26	258	10	Feedline clamp - 1/2
12	52201	2	Hose .25 ID x .25 NPT x 264	27	1863	4	Washer 1 SAE flat
13	11817	1	Hose .25 ID x .25 NPT x 230	28	33647	2	Pipe 1.0 x .75
14	66511	3	Male hydraulic coupler	29	1450	4	Nut hex 3/4 NC plated
15	52204	2	Lynch pin w/ chain	31	1044832	2	Pin 1.0 x 2.50

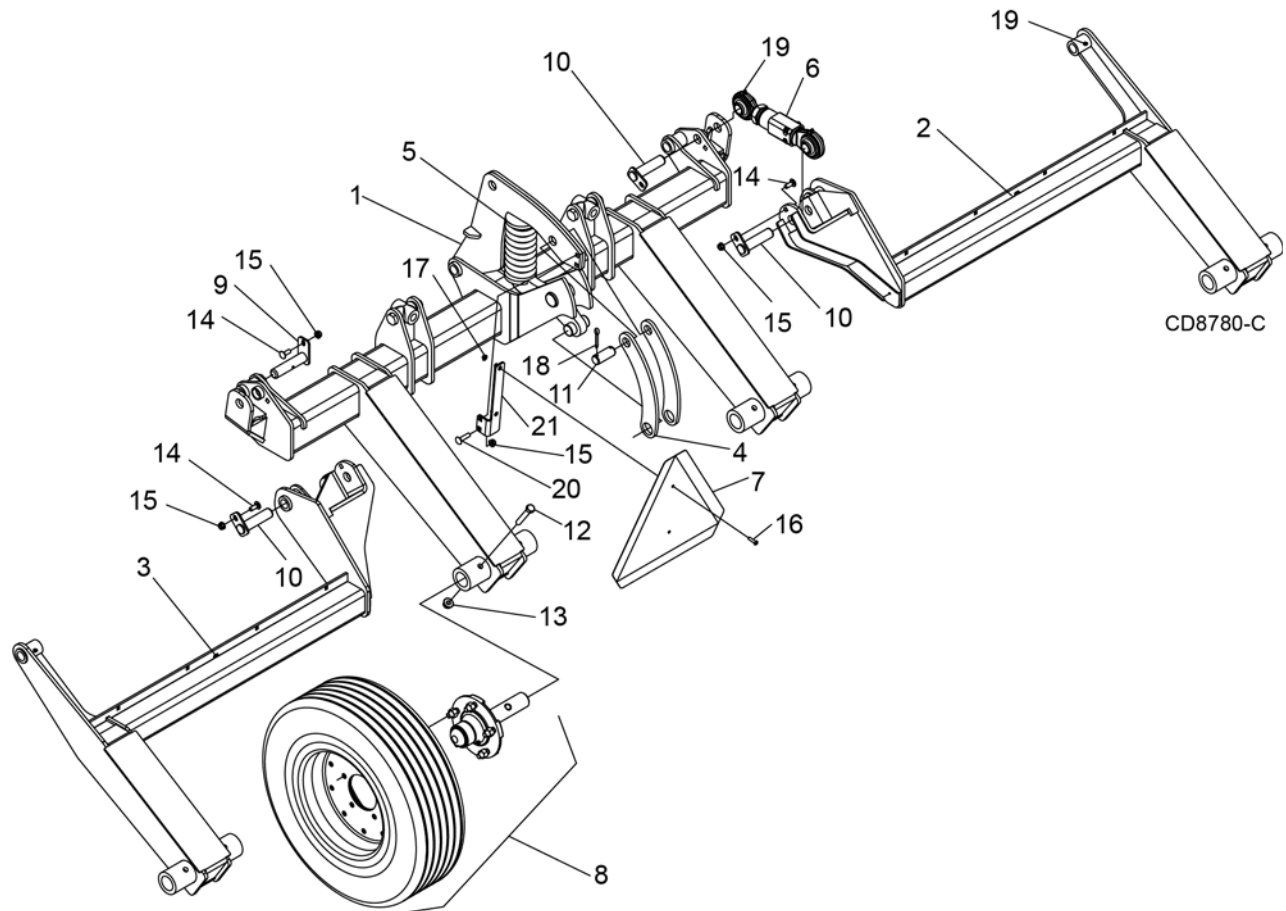
WING ASSEMBLY



REF	PART	QTY	DESCRIPTION	REF	PART	QTY	DESCRIPTION
1	617180RP	1	Gearbox, ring wing (see page 46) -OR-	12	3379 *	2	1/2 NC x 1-1/2 HHCS, GR5
1	617181RP	1	Gearbox, left wing (see page 46)	13	1045695	1	Washer, 1.22 x 2.205 x .236
2	1044393RP	1	Clutch shield, hinged	14	1045894	1	M30 x 2.0P castle nut
3	1044990RP	1	Skid, right wing -OR-	15	6185 *	1	1/4 x 2-1/4 cotter pin
3	1044991RP	1	Skid, left wing	16	1031225	4	1/2 NC x 1-1/4 HFS, GR5
4	1044820RP	1	Crossbar assembly	17	11900 *	4	1/2 NC flanged lock nut
5	19160KT	1	Blade kit, CCW (right wing) -OR-	18	1043460	6	3/4 NC x 3-1/2 HFS, GR5
5	19161KT	1	Blade kit, CW (left wing)	19	1045611	6	3/4 NC flanged lock nut
6	1045034RP	2	1-1/2 blade pin	20	1041071	4	M8 - 1.25P x 16 mm HFS, CL8.8
7	10520RP	2	Shim, 18 GA, 1-1/2 blade pin	21	1041077	2	.216 x .977 x 3.14 magnet
8	13946RP	2	Shim, 20 GA, 1-1/2 blade pin	22	1041073	2	.188 x .565 aluminum rivet
9	1028824	2	Spacer, 5/16 thick				
10	32603	2	Keyhole Plate - special				
11	32604RP	2	Blade pin lock clip - special				

* Standard Hardware, Obtain Locally
 HHCS Hex Head Cap Screw
 HFS Hex Flange Screw

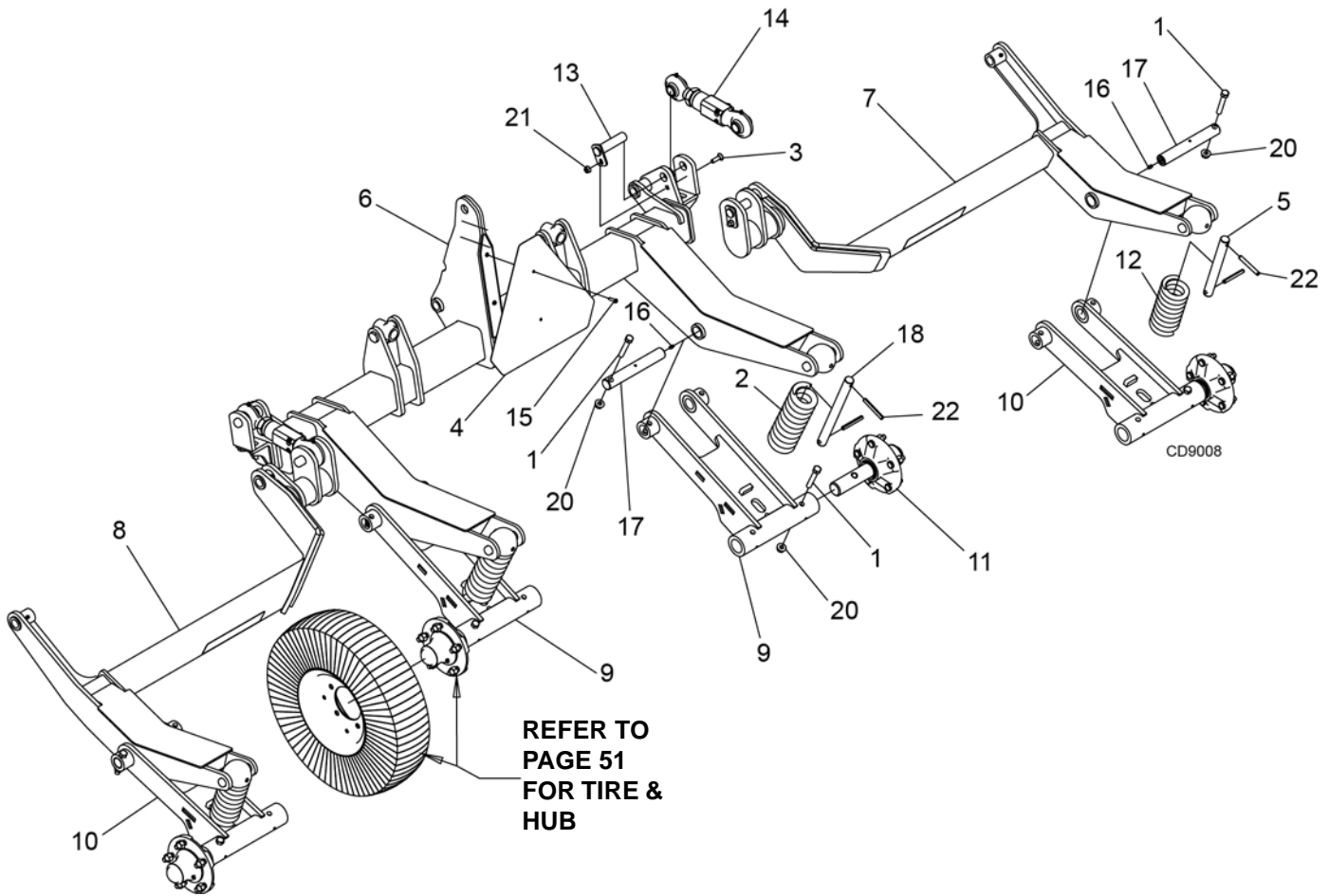
WHEEL ARM ASSEMBLY, SINGLE SPRING



REF	PART	QTY	DESCRIPTION	REF	PART	QTY	DESCRIPTION
1	1044886RP	1	Wheel yoke, center	12	3489 *	4	1/2 NC x 3 HHCS, GR5
2	1045008RP	1	Wheel yoke, right	13	11900 *	4	1/2 NC flanged lock nut
3	1045009RP	1	Wheel yoke, left	14	6697 *	11	3/8 NC x 1 carriage bolt, GR5
4	1045012RP	2	Spring link	15	14350 *	11	3/8 NC flanged lock nut
5	1032100RP	1	Spring, comp 3.25 x .56 x 7.3 x 1113	16	1041087 *	2	1/4 NC x 1 button head screw, GR5
6	1039950	2	Adjustable link	17	W70065 *	2	1/4 NC whiz nut
7	24611	1	SMV emblem	18	1285 *	2	1/4 x 1-1/2 cotter pin
8	-----	4	Tire & hub (see page 51)	19	1043432 *	10	1/4 - 28 straight grease fitting
9	1044844	3	1.0 x 4.31 Pin				
10	1038100	8	1.0 x 3.84 Pin				
11	1044832	1	1.0 x 2.50 Pin				

* Standard Hardware, Obtain Locally
HHCS Hex Head Cap Screw

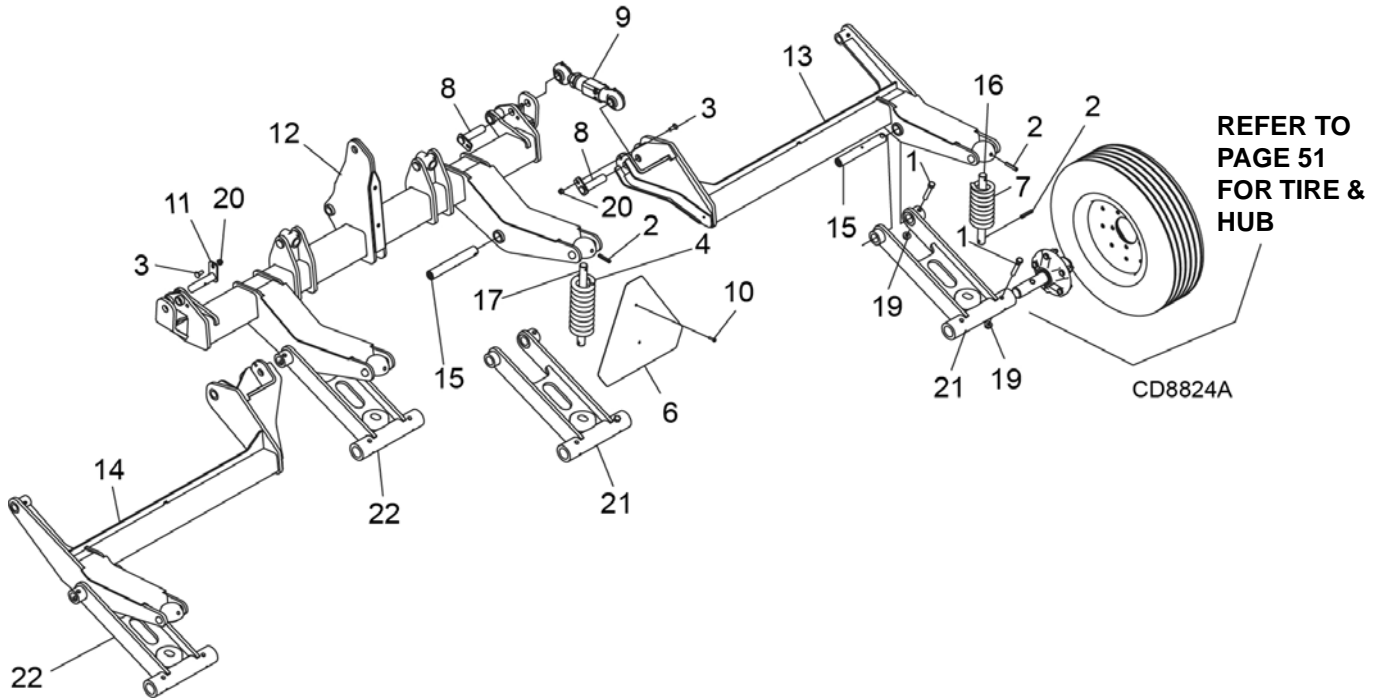
**WHEEL ARM ASSEMBLY, SINGLE SPRING
(AFTER SERIAL NUMBER 1007668087004)**



REF	PART	QTY	DESCRIPTION	REF	PART	QTY	DESCRIPTION
1	3489	8	HHCS 1/2 NC x 3 GR5 ZP	13	1038100	4	WA, pin 1.0 x 3.94
2	19710RP	2	Spring, compression 3.25 .69 9.52200	14	1039950	2	Adjustable link, trunnion
3	20973	4	Bolt crg 3/8 NC x 1-1/4 GR5	15	1041087	2	Screw, HFS-6 lobe, 1/4 NC x 1.0 GR5, Patch
4	24611	1	Sign (SMV) Slow Moving Vehicle	16	1043432	4	Zerk, 1/4 drive type
5	603837	2	Pin, 1.00 x 9.06	17	1044895	4	Pin, 1.25 x 9.13
6	609595RP	1	WA, wheel arm, CTR	18	1044932	2	Pin, 1.00 x 11.50
7	609596RP	1	Asy, wheel arm RT	19	1045000	2	Nut, 1/4-20 UNC blind hole, hex
8	609597RP	1	Asy, wheel arm LT	20	1045624	8	Nut, HFN 1/2 NC, Dri-Loc patch
9	609598RP	2	WA, spring arm, CTR	21	1045628	4	Nut, HFN 3/8 NC, Dri-Loc patch
10	609599RP	2	WA, spring arm, wing	22	1046049	8	Pin, spirol 3/8 x 3 hvy
11	1017050	4	Wheel, hub, 5 bolt				
12	1032100RP	2	Spring, compression 3.25 x .56 x 7.25 x 1113				

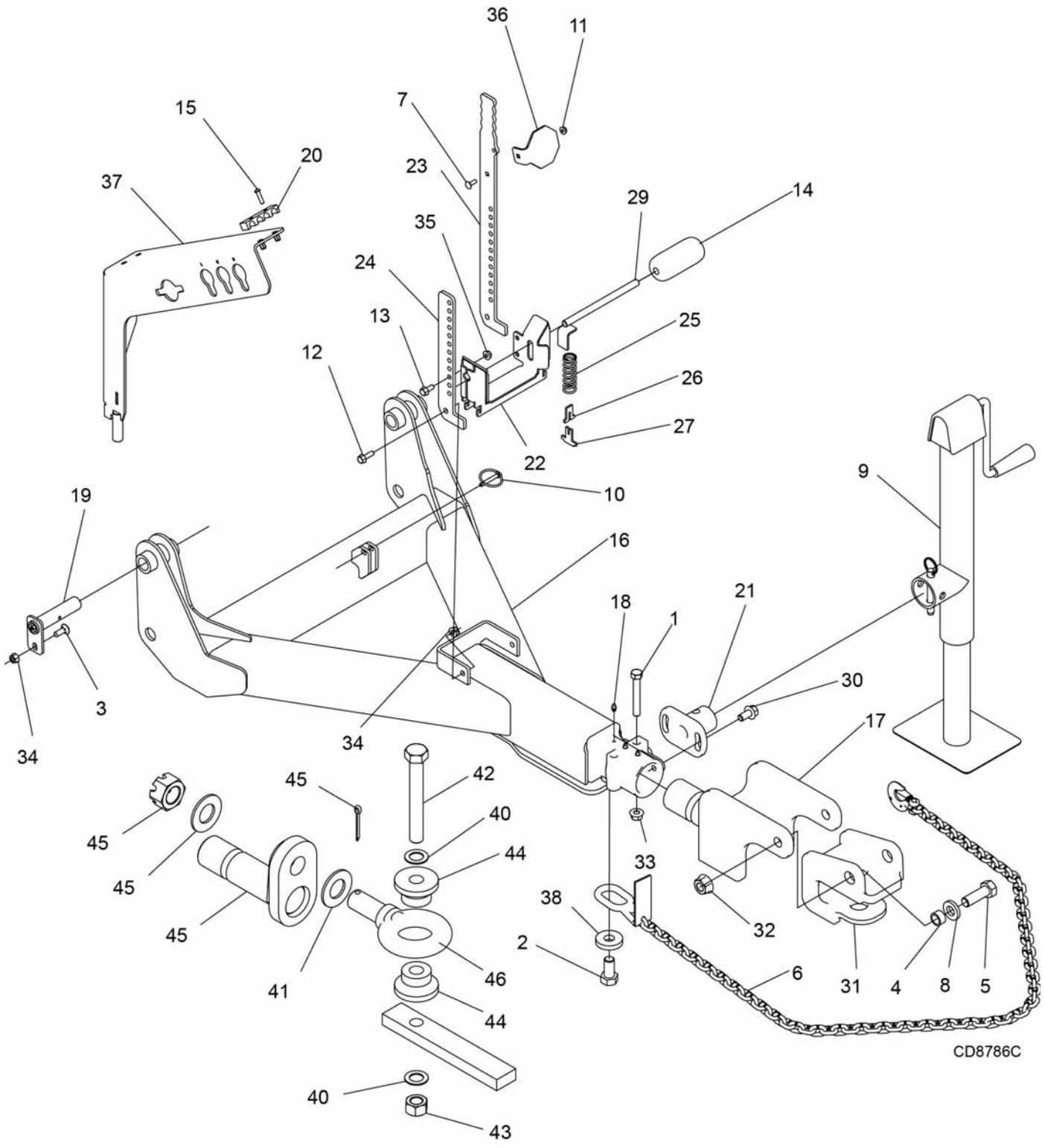
* Standard Hardware, Obtain Locally
HHCS Hex Head Cap Screw

**WHEEL ARM ASSEMBLY, SPRING ARM
(BEFORE SERIAL NUMBER 1007668087004)**



REF	PART	QTY	DESCRIPTION	REF	PART	QTY	DESCRIPTION
1	3489	8	HHCS 1/2 NC x 3 GR5 ZP	12	1044863RP	1	WA, wheel arm, CTR
2	4674	8	3/8 x 2 spirol pin	13	1044864RP	1	WA, wheel arm, RT
3	6697	3	Bolt, CRG 3/8 NC x 1 GR5 ZP	14	1044865RP	1	WA, wheel arm, LT
4	19710RP	2	SPR/CMP 3.25 .69 .9.52200	15	1044895	4	Pin, 1.25 x 8.63
5	20973	2	Bolt CRG 3/8 NC x 1-1/4 GR5	16	1044932	2	Pin, 1.00 x 11.50
6	24611	1	Sign (SMV) Slow Moving Vehicle	17	1044933	2	Pin, 1.00 x 13.50
7	1032100RP	2	SPR/CMP 3.25 x 356 x 7.3 x 1113	18	1045000	2	Nut, 1/4-20 UNC blind hole, hex
8	1038100	8	WA, Pin 1.0 x 3.94	19	1045624	8	Nut, HFN 1/2 NC, Dri-Loc patch
9	1039950	2	Adjustable link, trunnion	20	1045628	11	Nut, HFN 3/8 NC, Dri-Loc patch
10	1041087	2	Screw, button head, 1/4 NC x 1.0 patch	21	1045692RP	2	WA, spring arm, RT
11	1044844	3	WA, pin 1.0 x 4.31	22	1045693RP	2	WA, spring arm, LT

TONGUE ASSEMBLY



CD8786C

TONGUE ASSEMBLY

REF	PART	QTY	DESCRIPTION	REF	PART	QTY	DESCRIPTION
1	1637	2	HHCS 1/2 NC x 3-1/2 GR5 ZP	24	1045025	1	Link, CV lift
2	4616	1	HHCS 3/4 NC x 1-1/2 GR5 ZP	25	1045026	1	Spring, 1.0 x 3.0 - 65 LB
3	6697	1	Bolt Crg 3/8 NC x 1 GR5 ZP	26	1045027	1	Link, spring
4	13087	2	Slv 3/4 x 1 x 9/16 HT	27	1045028	1	Link, spring T
5	13759	2	HHCS 3/4 NC x 2-1/4 GR5 ZP	28	1045029	1	Angle, spring
6	19407	1	Asy, safety chain, 10,000 LB	29	1045030	1	Pin, .50 x 7.63
7	21937	1	Bolt, CRG 1/4 NC x 3/4	30	1045070	2	Screw, HFS, 1/2 NC x 1.0 GR5
8	28873	2	Washer 3/4 ID 1-1/2 OD 1/4 thick	31	603944RP	1	Clevis, Cat 2, mach
9	52232	1	Swivel parking jack	32	1045611	2	Nut, HFN, 3/4 NC, Dri-Loc patch
10	62043	1	1/4 X 1-3/4 klik pin	33	1045624	2	Nut, HFN, 1/2 NC, Dri-Loc patch
11	62521	1	Nut lock 1/4 NC flange	34	1045628	2	Nut, HFN, 3/8 NC, Dri-Loc patch
12	71632	1	Bolt whiz hex .312 - 18x 1	35	1045655	2	Nut, HFN 5/16 NC, Dri-Loc patch
13	71851	2	HHCS .312 NC x 3/4 flange	36	1045818	1	Lug, stop
14	1029865	1	Roller 2 x 4.38	37	1046000	1	Asy, hose holder
15	1041087	4	Screw, button head, 1/4 NC x 1.0, patch	38	W8424	1	Washer 3/4 ID 2 OD 3/8 thick
16	1043425	1	WA, tongue	40	1863	2	Washer 1 SAE flat
17	1043427	1	Hitch, cast	41	2370	1	Washer 1.62 x 3 x .18
18	1043432	3	Zerk, 1/4 drive type	42	15278	1	HHCS 1 NC x 7.50 GR5
19	1044844	1	WA, pin 1.0 x 4.31	43	34279	1	Nut Lock 1 NC
20	1044854	2	Clamp, hose, 4	44	1016969	2	Pintle bushing 1.06 x 3.25 x 1.75
21	1044899	1	Mount, jack	45	1045704RP	1	WA, hitch
22	1044930	1	WA, spring lift	46	W11267	1	D315 ETC pintle ring
23	1045024	1	Link, CV lift arm				

* Standard Hardware, Obtain Locally

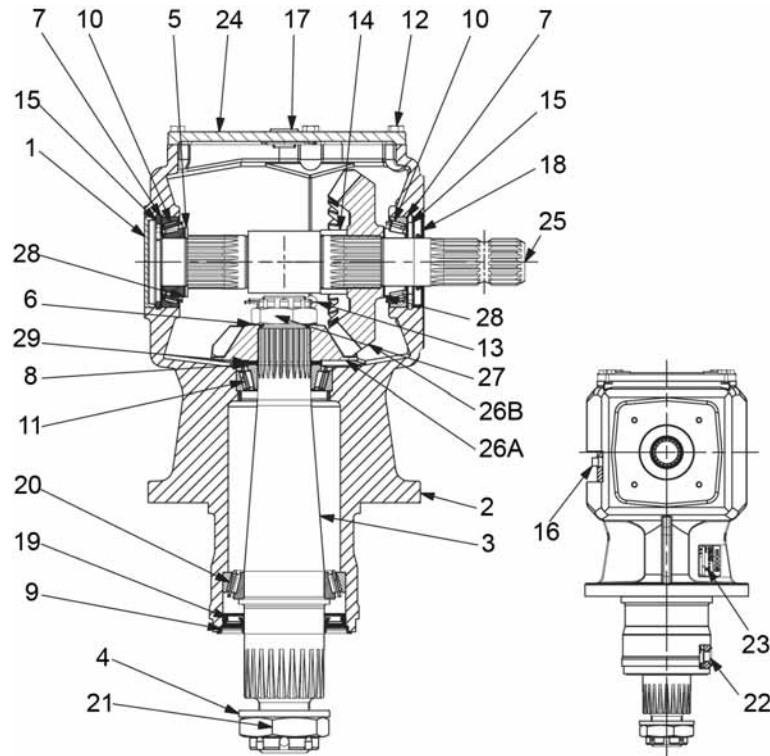
HHCS Hex Head Cap Screw

HFS Hex Flange Screw

HFN Hex Flange Nut

HT Heat Treated

WING & CENTER GEARBOX ASSEMBLY

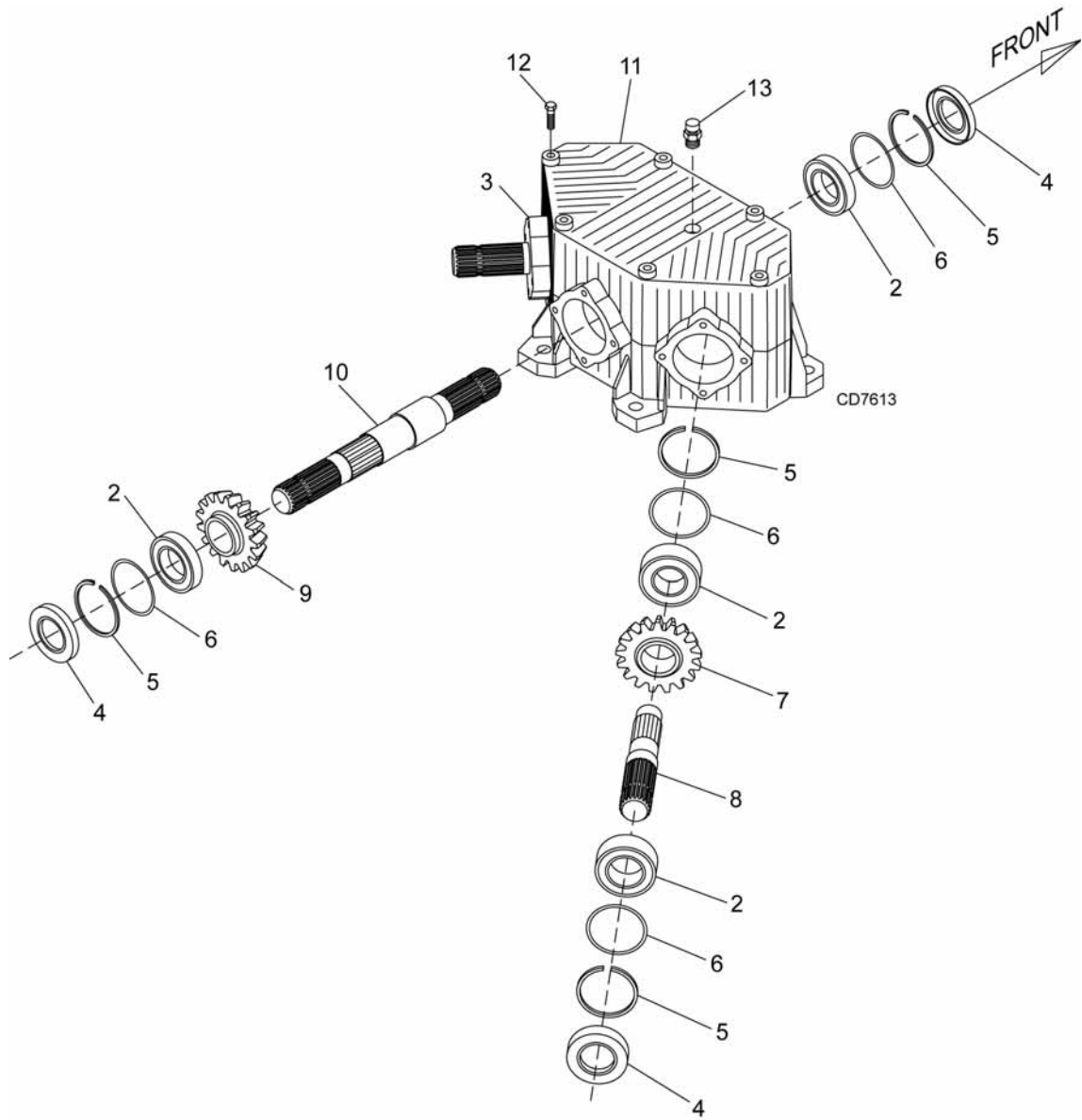


ITEM #	QTY	DESCRIPTION	CENTER		RIGHT	LEFT
			540 RPM 617178RP	1000 RPM 617179RP	617180RP	617181RP
		Complete Box				
1	1	Cap 85 x 10	57371	57371	57371	57371
2	1	Housing	-	-	-	-
3	1	Output Shaft	1045672	1045672	1045672	1045672
4	1	Blank Washer 49 x 85 x 7	1045695	1045695	1045695	1045695
5	1	Shim 45.3 x 65.3 x 2.5	57471	57471	57471	57471 KIT
6	1	Shim 40.3 x 61.7 x 1.0	57471	57471	57471	57471 KIT
7	2	Shim Kit 70.3 x 84.7	57471	57471	57471	57471 KIT
8	2	Shim Kit 50.30 x 70.3	57471	57471	57471	57471 KIT
9	1	Seal Protector	1045700	1045700	1045700	1045700
10	2	Taper Roller Bearing 30209	39411	39411	39411	39411
11	1	Bearing 322210	1025608	1025608	1025608	1025608
12	6	Bolt HHG M8x25	-	-	-	-
13	1	Cotter Pin B5x60	-	-	-	-
14	1	Spacer 50 x 60 x 25	1045886	1045886	1045886	1045886
15	2	Snap Ring Hole D85 DIN472	1045887	1045887	1045887	1045887
16	1	Plug External 3/8" GAS	27326	27326	27326	27326
17	2	Plug 1/2" GAS	1045877	1045877	1045877	1045877
18	1	Dust Lip Oil Seal 45 x 85 x 10	57318	57318	57318	57318
19	1	Oil Seal NAK TCA3 NBR 75 x 115 x 12	1045888	1045888	1045888	1045888
20	1	Roller Bearing 32015X	1045889	1045889	1045889	1045889
21	1	Castle Nut M48 x 3	1045894	1045894	1045894	1045894
22	1	Magnetic Plug 3/8	1045877	1045877	1045877	1045877
23	1	Name Plate	-	-	-	-
24	1	Cover	1045895	1045895	1045895	1045895
25	1	Shaft	1045896	1045896	1045896	1045896
26	1	Bevel Gear Set	1043503	1043504	1043502	1043502
27	1	Castle Nut M40 x 1.5	1045897	1045897	1045897	1045897
28	2	Shim 45.3 x 65.3 x 1.0	1045898	1045898	1045898	1045898
29	2	Shim 50.30 x 70.3 x 1.0	57471	57471	57471	57471 KIT
30	1	Dipstick Breather Plug	1045872	1045872	1045872	1045872
31	1	Cotter Pin B8x90	-	-	-	-

46 Parts

(Rev. 12/02/2019)
MAN1239 (12/14/2017)

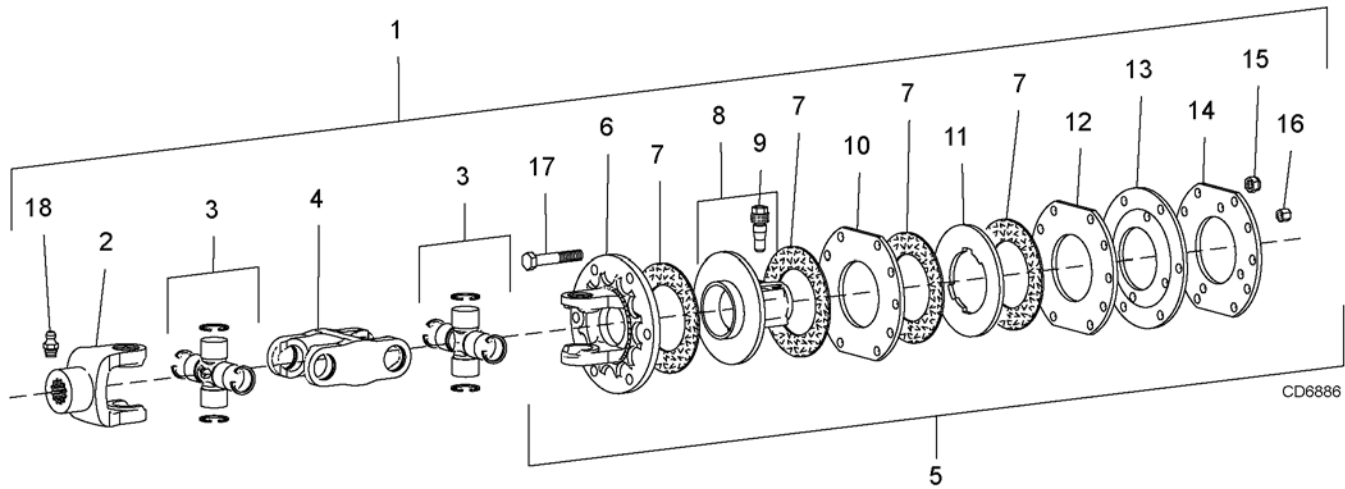
SPLITTER GEARBOX ASSEMBLY



REF	PART 540 RPM	PART 1000 RPM	QTY	DESCRIPTION
1	1031185	1031186	-	Complete splitter gearbox
2	39411	39411	6	Bearing
3	-----	-----	1	Housing
4	1031175	1031175	4	Oil seal, 45mm x 85mm x 10mm
5	1002494	1002494	6	Snap ring 85 mm dia
6	57471	57471	6	Shim
7	1031176	1031178	2	Pinion gear
8	1031177	1031177	2	Shaft 1-3/4 - 20 spline, wing
9	1031178	1031176	1	Gear
10	1031179	1031179	1	Shaft 1-3/4 - 20 spline, center
11	1031180	1031180	1	Cover
12	-----	-----	*	M10 x 30mm HHCS CL8.8
13	57076	57076	1	1/2" breather

* Standard hardware, obtain locally

CENTER DECK DRIVE ASSEMBLY

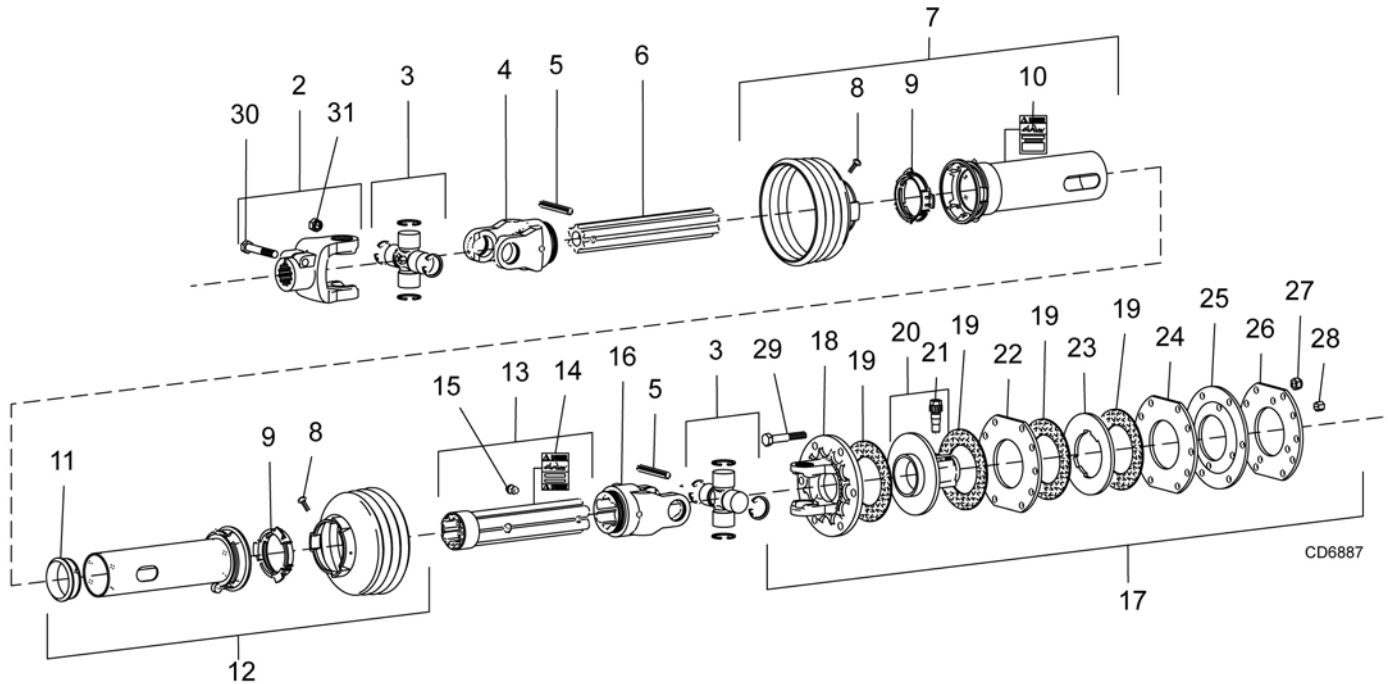


REF	PART	QTY	DESCRIPTION	REF	PART	QTY	DESCRIPTION
1	1045078	-	Complete center drive assembly	10	57443	1	Drive plate
2	1019107	1	Yoke, 1-3/4, 20 spline	11	1016491	1	Drive plate
3	1045881	2	Cross & bearing kit	12	1016494	1	Thrust plate
4	1019108	1	Double yoke	13	1016492	1	Belleville spring
5	1016484	1	Friction clutch 2400 1-3/4, 20 spline (includes items 6 through 17)	14	1016493	1	Backup plate
6	1016489	1	Flange yoke	15	57261	6	M12 x 1.75 hex lock nut w/ nylon insert
7	57432	4	Friction disc	16	1016495	4	M8 x 1.25 hex nut GR10
8	1016490	1	Hub, 1-3/4, 20 spline (includes item 9)	17	1016496	6	M12 x 1.75 x 85 mm HHCS PC 8.8
9	1016498	1	Lock assembly	18	1005521	1	Grease fitting

48 Parts

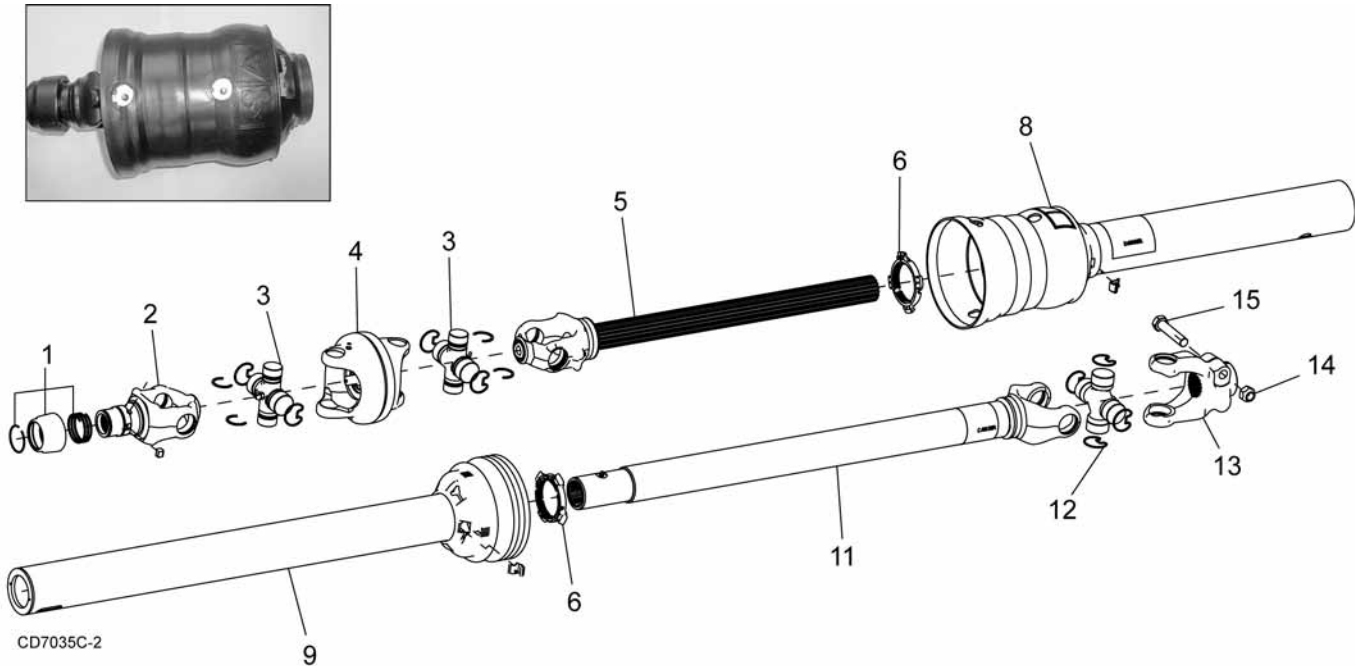
MAN1239 (12/14/2017)

WING DRIVE ASSEMBLY



REF	PART	QTY	DESCRIPTION	REF	PART	QTY	DESCRIPTION
1	1045079	--	Complete wing drive assembly	16	40751	1	Inboard yoke
2	1004957	1	Yoke, 1-3/4, 20 spline (includes items 30, 31)	17	1019109	1	Friction clutch 2500 1-3/4, 20 spline (includes items 18 through 29)
3	1045583	2	Cross & bearing kit	18	1041695	1	Flange yoke
4	40750	1	Inboard yoke	19	57432	4	Friction disc
5	40765	2	Spring pin 10 x 90	20	1016490	1	Hub, 1-3/4, 20 spline (includes item 21)
6	40752	1	Inner profile	21	1016498	1	Lock assembly
7	1045585	1	Outer guard half (includes items 8, 9, 10)	22	57443	1	Drive plate
8	40778	2	Screw	23	1016491	1	Drive plate
9	40766	2	Bearing ring SC25	24	1016494	1	Thrust plate
10	18864	1	Decal, danger rotating driveline	25	1016492	1	Belleville spring
11	40767	1	Support bearing	26	1016493	1	Backup plate
12	1045586	1	Inner guard half (includes items 8, 9, 11)	27	57261	6	M12 x 1.75 hex lock nut w/ nylon insert
13	1045584	1	Outer profile & sleeve (includes items 14, 15)	28	1016495	4	M8 x 1.25 Hex nut GR10
14	33347	1	Decal, danger guard missing	29	1016496	6	M12 x 1.75 x 85 mm HHCS PC 8.8
15	40779	1	Grease fitting	30	1001042	1	M16 x 2.0 x 90 mm HHCS PC 8.8
				31	1005522	1	M16 x 2.0 Hex lock nut

540 RPM & 1000 RPM FRONT CV DRIVE



Note: Lube fitting at end of cross and bearing.

REF	PART	QTY	DESCRIPTION	REF	PART	QTY	DESCRIPTION
A	1021103	1	Complete CV drive (540 RPM)	9A	1021315	1	CV shield inner (540 RPM)
B	1021104	1	Complete CV drive (1000 RPM)	9B	1021319	1	CV shield inner (1000 RPM)
C	1021105	1	Complete CV drive (1000 RPM, 1-3/4")	9C	1023156	1	CV shield inner (1000 RPM, 1-3/4")
1	19851	1	Slide lock repair kit	10	33347 †	1	Decal, danger guard missing (see page 13)
1C	19837	1	Slide lock repair kit (1000 RPM, 1-3/4")	11A	1021316	1	Yoke 55R x 36.4 x 1.69 - 20 (540 RPM)
2A	1033103	1	Yoke QD CV 1.375 - 6 (540 RPM)	11B	1021320	1	Yoke 55R x 38.4 x 1.69 - 20 (1000 RPM)
2B	1033104	1	Yoke QD CV 1.375 - 21 (1000 RPM)	11C	1023157	1	Yoke, tube & sleeve 55R x 39.8 x 1.69-20 (1000 RPM, 1-3/4")
2C	1033105	1	Yoke QD CV 1.75 - 20 (1000 RPM, 1-3/4")	12	58765	1	U-Joint cross and bearing kit
3	1033107	2	CV u-joint repair kit Cat 6 55E	13	1023058	1	Yoke, 55R x 5.06 x SP 1.75 - 20
4	1033106	1	CV body with fitting	14	6239 *	1	5/8 NC Lock nut
5A	1033113	1	Yoke and shaft CV splined 25.9 (540 RPM)	15	34473 *	1	5/8 NC x 3 HHCS GR5
5B	1033111	1	Yoke and shaft - CV splined 26.6 (1000 RPM)				
5C	1033116	1	Yoke and shaft CVSP lines 30.9 (1000 RPM)				
6	1009065	2	Drive shield bearing kit				
7	18864 †	1	Decal, danger rotating driveline (see page 12)				
8A	1021314	1	CV shield outer (540 RPM)				
8B	1021318	1	CV shield outer (1000 RPM)				
8C	1023155	1	CV shield outer (1000 RPM, 1-3/4")				

† Not shown

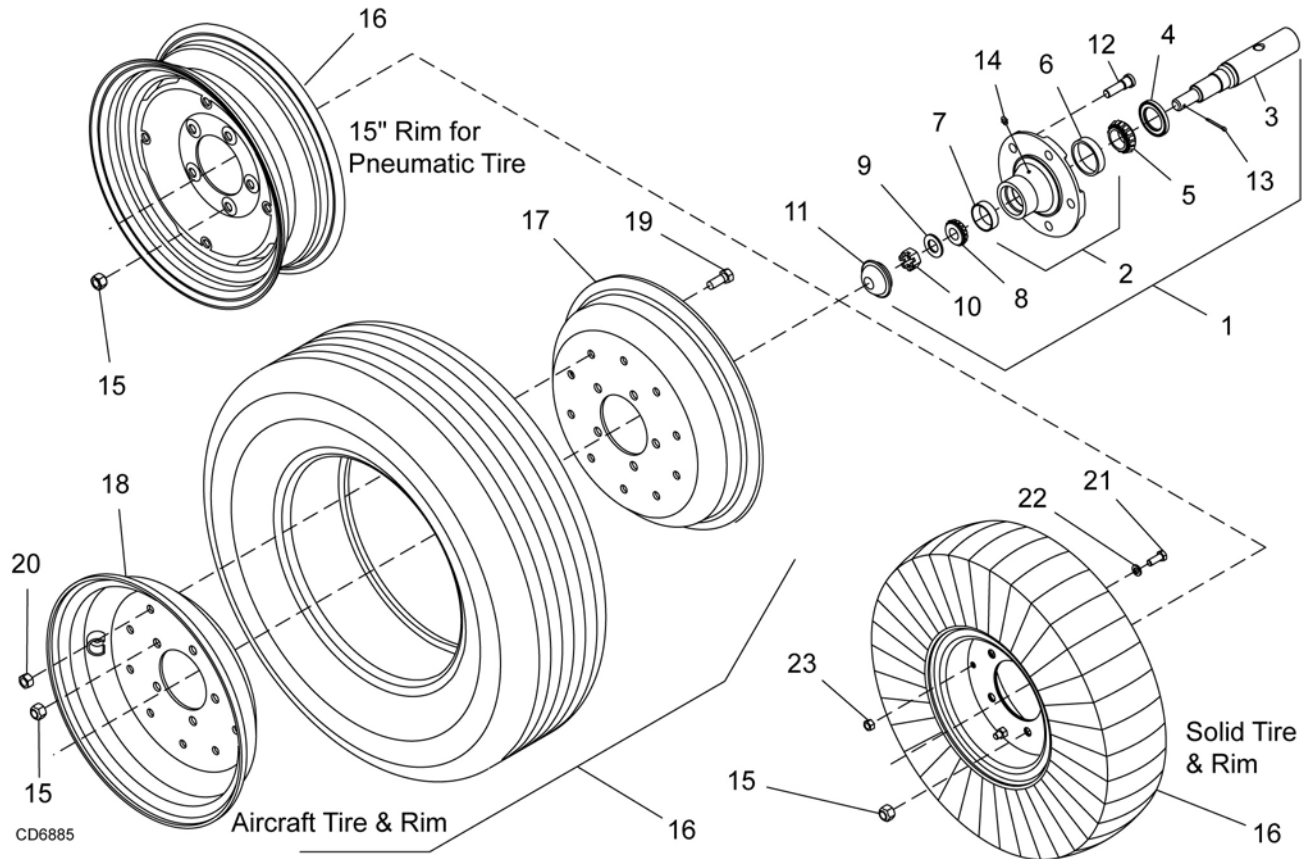
HHCS Hex Head Cap Screw

* Standard hardware, obtain locally

50 Parts

MAN1239 (12/14/2017)

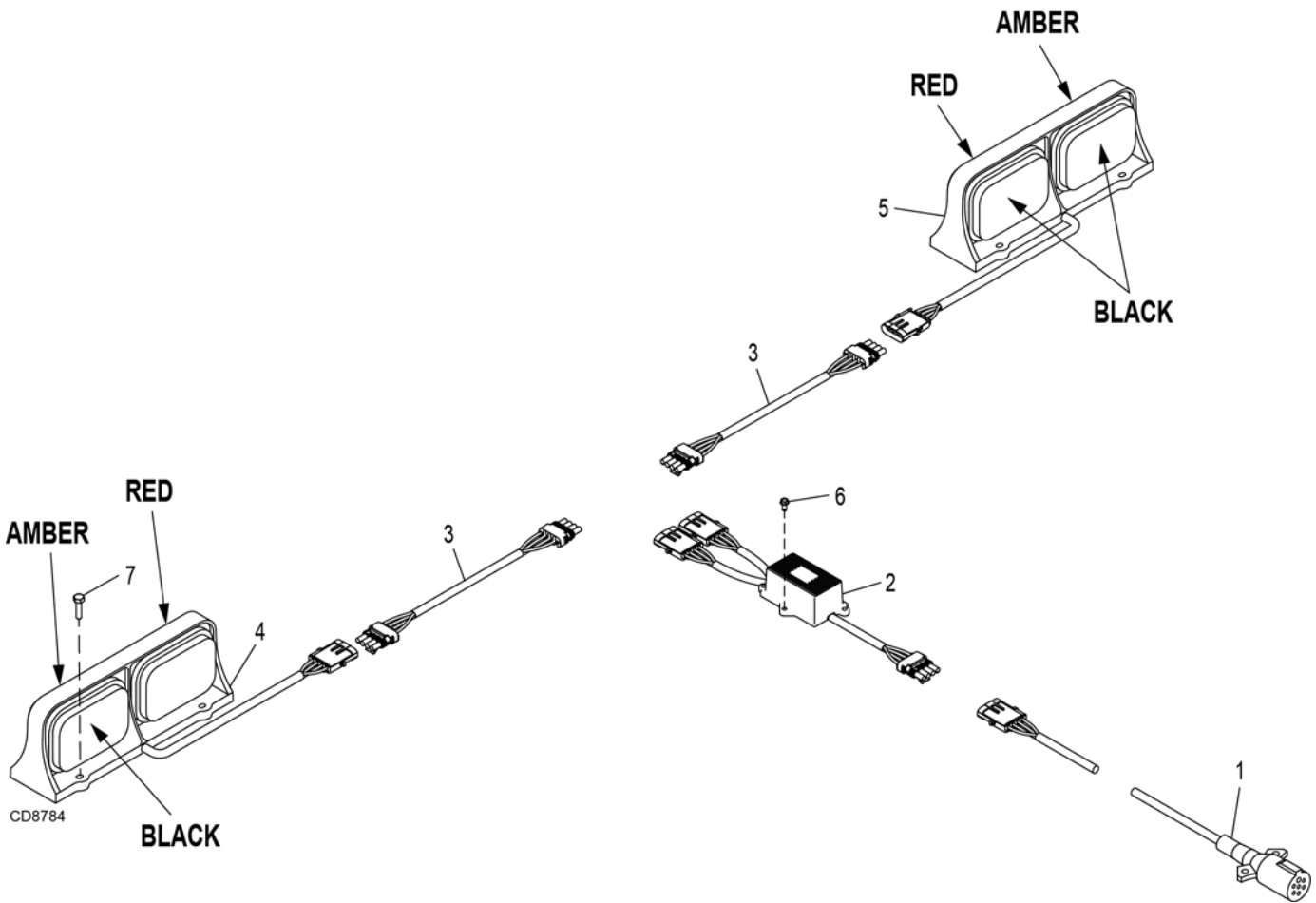
5-BOLT WHEEL & TIRE ASSEMBLY



REF	PART	QTY	DESCRIPTION	REF	PART	QTY	DESCRIPTION
1	1017050	1	Heavy hub assembly (includes items 1 through 15)	16	1039976F	1	25 x 8 - 14 severe duty ag tire, rim & hardware, foam filled - 5 bolt
2	1017034	1	Heavy wheel hub with cups (includes items 6,7,14)	16	1017030	1	29 x 9 x 15 aircraft tire, rim & hardware - 5 bolt
3	1017033	1	Axle	17	1017026	1	15.0 x 6.0 rim half (for 29" aircraft wheel only)
4	1017027	1	Seal	18	1017025	1	15.0 x 6.0 rim half w/ valve hole (for 29" aircraft wheel only)
5	1017028	1	Bearing cone	19	6100 *	1	1/2 NC x 1-1/4 HHCS GR5
6	1017036	1	Bearing cup	20	765 *	1	1/2 NC lock nut
7	1017037	1	Bearing cup	21	19887 *	1	3/8 NC x 1 HHCS GR8
8	1017029	1	Bearing cone	22	838 *	1	3/8 standard lock washer
9	1017031	1	Washer	23	835 *	1	3/8 NC hex nut
10	1017032	1	Castle nut	-	1015833	1	29 x 9 x 15 inner tube (for 29" aircraft wheel only)
11	1017035	1	Hub cap	-	1017042	2	Rim half for 6 x 9 solid tire
12	1017038	5	Stud				
13	1017069	1	Cotter pin				
14	1017067	1	Grease fitting				
15	35317	5	Nut, lug 1/2 NF				
16	1017088	1	15" rim for pneumatic tire - 5 bolt -OR-				
16	1017040	1	6.00 x 9 Solid tire, rim & hardware - 5 bolt -OR-				
16	1039976	1	25 x 8 - 14 Severe duty ag tire, rim & hardware - 5 bolt -OR-				

* Standard hardware, obtain locally

LIGHT KIT ASSEMBLY

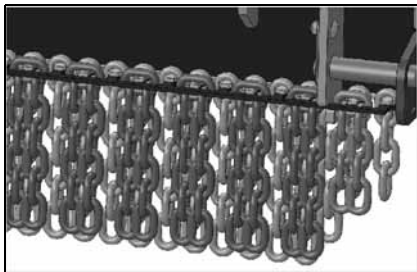
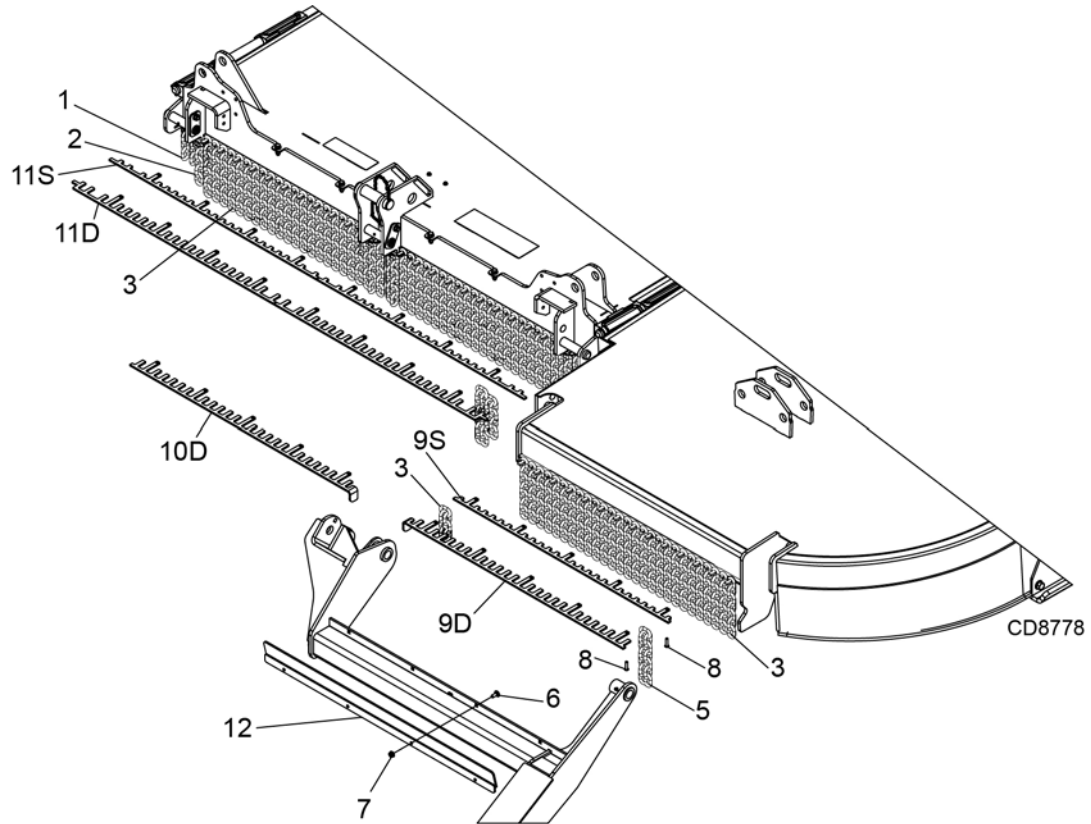


REF	PART	QTY	DESCRIPTION
A	1045808	1	LED light kit, complete
1	1036887	1	Wire harness, 16 foot, main
2	1040277	1	AG enhancer module
3	1045073	1	Wire harness, rear, 2 pieces (Includes both left & right harnesses)
4	1040276	1	LED AG combo lamp, right
5	1040275	1	LED AG combo lamp, left

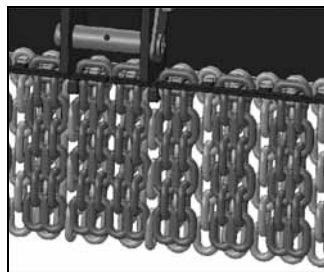
REF	PART	QTY	DESCRIPTION
6	1041604 *	2	Screw, #10 NC x 1/2 self-tapping
7	10378 *	8	1/4 NC x 1 HHCS, GR5

* Standard hardware, obtain locally
HHCS Hex Head Cap Screw

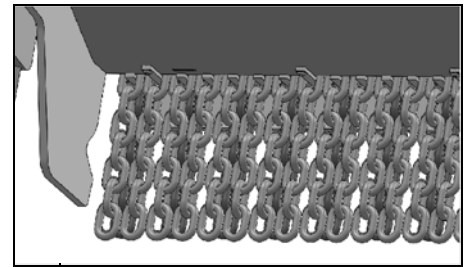
CHAIN SHIELDING - CENTER & WING (REAR)
SINGLE ROW STANDARD ON BW10.70 AND BW15.70 MODELS
DOUBLE ROW OPTIONAL ON BW10.70 AND BW15.70 MODELS



Rear Center Installed



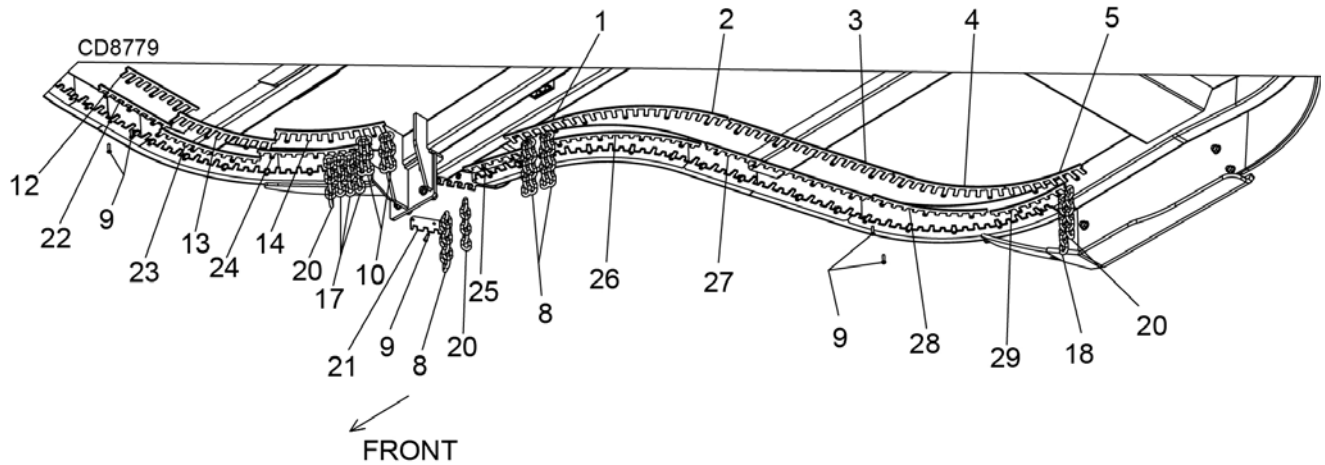
Rear Wing Installed



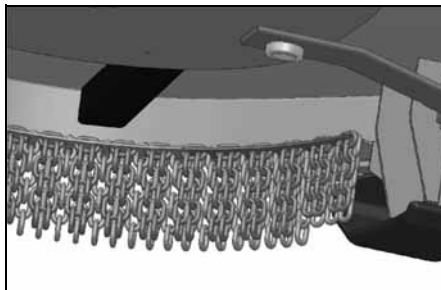
QTY

REF	PART	DESCRIPTION	QTY	
			SINGLE	DOUBLE
1	4069	5/16 chain 4 link	-	4
2	3994	5/16 chain 5 link	-	4
3	5496	5/16 chain 7 link	2	96
4	38381	5/16 chain 9 link	2	-
5	1016952	5/16 chain link 13	50	-
6	16148	Bolt CRG 5/16 NC x 3/4 ZP	8	-
7	1045655	Nut, HFN 5/16 NC, Dri-Loc patch	8	-
8	1041087	Screw, button head, 1/4 NC x 1.0, patch	18	18
9S	1044833RP	Link, chain, wing, RR	-	2
9D	1045677RP	Link, chain, wing, RR, DBL, RT	1	-
10D	603895RP	Link, chain, wing, RR, DBL, LT	1	-
11S	1044855RP	Link, chain, center, RR	-	2
11D	1045678RP	Link, chain, center, RR, DBL	2	-
12	603898RP	WA, rear double chain flap	2	-

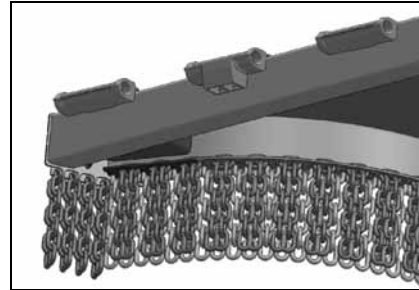
CHAIN SHIELDING - CENTER & WING (FRONT)
SINGLE ROW STANDARD ON BW10.70 AND BW15.70 MODELS
DOUBLE ROW OPTIONAL ON BW10.70 AND BW15.70 MODELS



Front Center Installed



Wing Installed



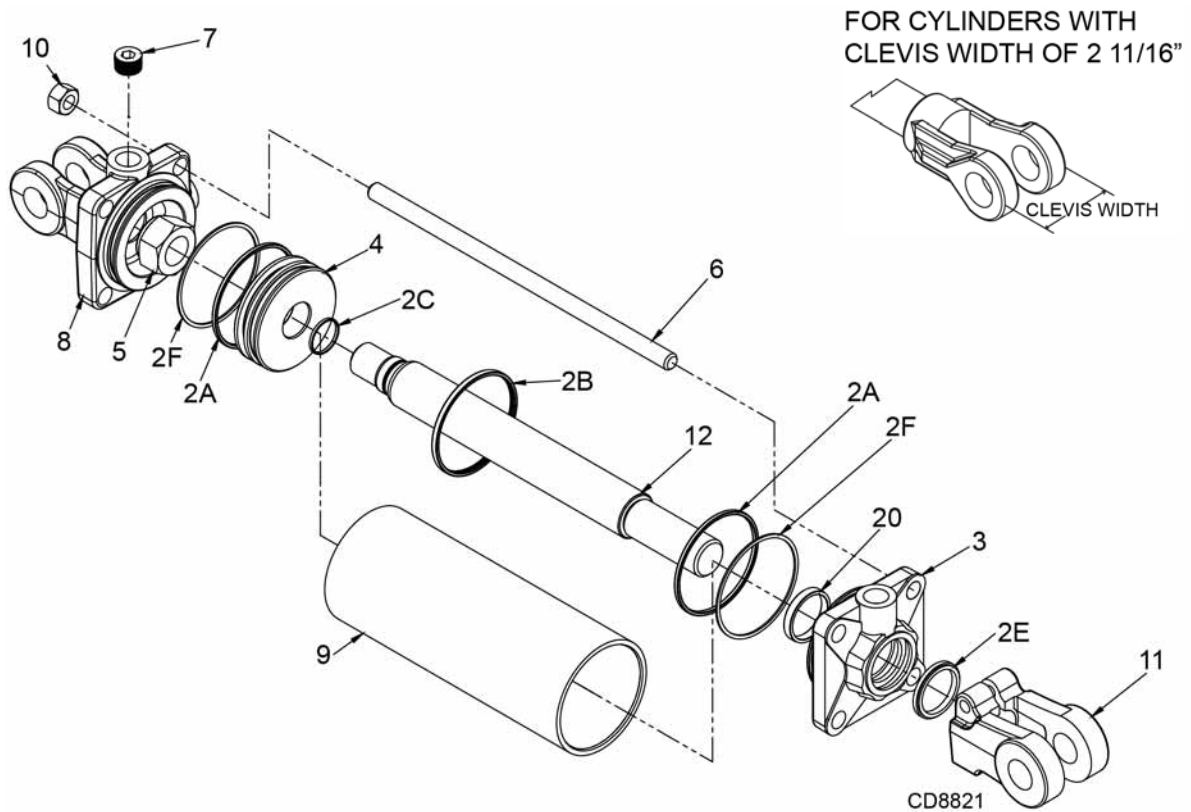
SINGLE ROW

REF	PART	QTY	DESCRIPTION
9	1041087	70	1/4 NC x 1.0 button head screw
16	4069	4	5/16 chain - 4 link
17	3994	4	5/16 chain - 5 link
18	5496	112	5/16 chain - 7 link
20	5498	59	5/16 chain - 6 link
21	1044996RP	2	Inner winglet retainer
22	1044858RP	1	Front center retainer
23	1044859RP	2	Front center inner radius retainer
24	1045827RP	2	Front center outer radius retainer
25	1044861RP	2	Straight winglet retainer
26	1045075RP	2	Curved winglet retainer
27	1045039RP	2	Front wing straight chain retainer
28	1044839RP	2	Front wing radius chain retainer
29	1045074RP	2	Front wing outer chain retainer

DOUBLE ROW

REF	PART	QTY	DESCRIPTION
1	1045681RP	2	Straight winglet DBL retainer
2	1045685RP	2	Curved winglet DBL retainer
3	1045683RP	2	Front wing straight DBL chain retainer
4	1045682RP	2	Front wing radius DBL chain retainer
5	1045684RP	2	Front wing outer DBL chain retainer
7	1016953	25	5/16 chain - 11 link
8	1016952	114	5/16 chain - 13 link
10	38381	6	5/16 chain - 9 link
12	1045679RP	1	Front center DBL retainer
13	1045680RP	2	Front center inner radius DBL retainer
14	1045838RP	2	Front center outer radius DBL retainer

HYDRAULIC CYLINDERS

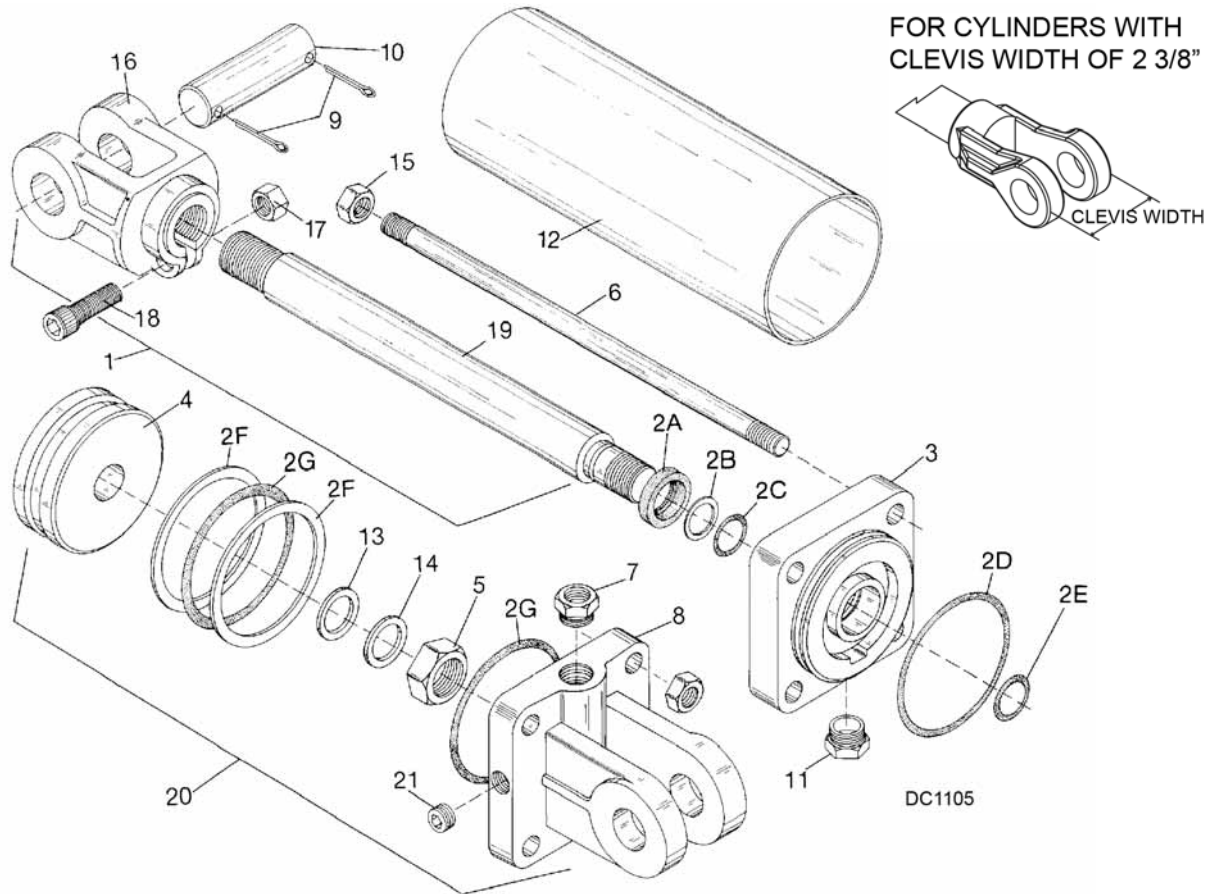


3.0X1.25Ø ROD

REF	PART	QTY	DESCRIPTION
1	597269		Complete cylinder
2	600251	1	Seal kit (includes items 2A-2F)
2A	†	2	Cap o-ring
2B	†	1	Piston seal
2C	†	1	Rod o-ring
2D	†	1	Cap seal
2E	†	1	Wiper seal
2F	†	2	Backup seal
3	N/S	1	Cylinder housing rod end
4	N/S	1	Piston
5	N/S	1	Jam nut
6	N/S	4	Cylinder tie rod
7	*	3	1/2 pipe plug
8	N/S	1	Cylinder housing butt end
9	N/S	1	Cylinder barrel
10	N/S	8	Tie rod nut
11	N/S	1	Cylinder clevis
12	N/S	1	Cylinder rod

† Included in seal kit
 * Standard hardware, obtain locally
 N/S Not Serviced

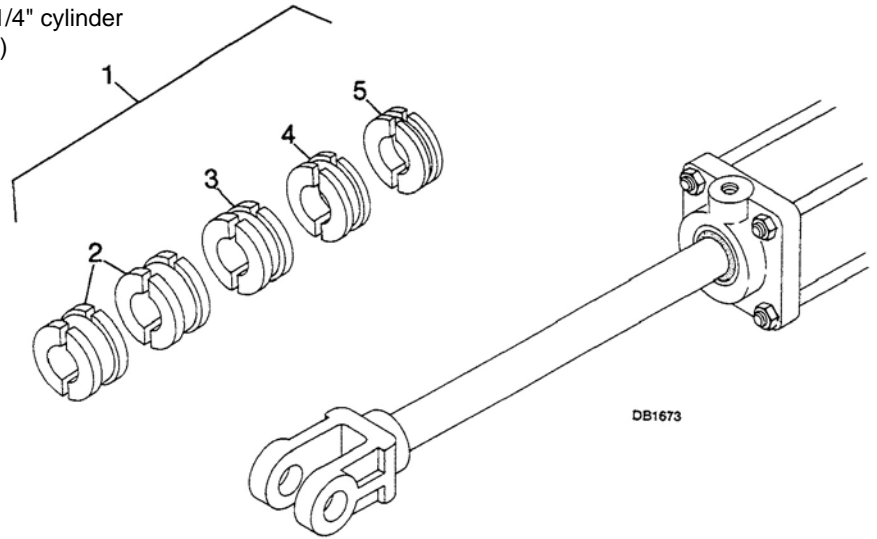
HYDRAULIC CYLINDERS



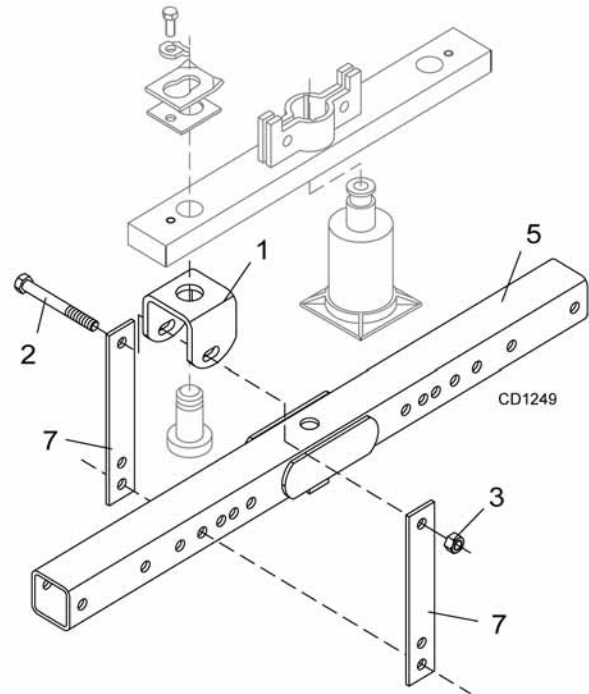
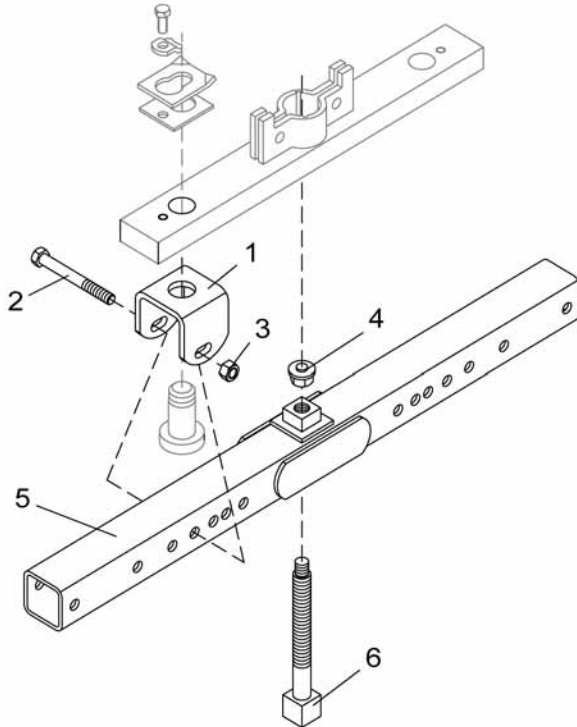
REF	Wing 3 x 10 PART	Center 3.5 x 8 PART	QTY	DESCRIPTION	REF	Wing 3 x 10 PART	Center 3.5 x 8 PART	QTY	DESCRIPTION
2	19810 -OR- 19810HD	23540 -----	1	Seal repair kit (includes 2A - 2G)	11	11975	11975	1	1/2 NPT vent plug
2A	‡	‡	1	Wiper seal	12	NS	NS	1	Cylinder barrel
2C	‡	‡	2	1-1/4 ID u-cup	15	*	*	8	Tie rod nut
2D	‡	‡	2	Barrel o-ring	16	23549	23549	1	Hydraulic cylinder rod clevis
2E	†	†		Rod static o-ring	17	6698*	6698*	1	3/8 NC lock nut
2F	‡	‡	2	Piston back-up washer	18	-----*	-----*	1	3/8 NC x 1-1/2 socket head cap screw
2G	‡	‡	1	Pistol seal o-ring	19	NS	23551	1	Hydraulic cylinder rod
3	NS	23543	1	Rod end housing	20	1031166	-----	1	3 x 10 hydraulic cylinder - Wing
4	NS	23544	1	Piston	20		10475	1	3-1/2 x 8 hydraulic cylinder w/ breather complete
5	34328	25496	1	Jam nut					* Obtain locally
6	NS	NS	4	Cylinder tie rid					† Not used on this cylinder
7	4510	-----	1	1/2 pipe plug -OR-					‡ Included in seal kit
7	11893*	11893*	1	1/2 x 1/4 pipe reducer bushing					NS Not sold separately
8	NS	NS	1	Cylinder butt end					
9	923*	923*	4	1/4 x 1-3/4 cotter pin					
10	1631	1631	2	1 x 3-5/8 clevis pin					
11	11893*	-----	1	1/2 x 1/4 pipe reducer bushing -OR-					

HYDRAULIC CYLINDER STROKE CONTROL KIT

REF	PART	QTY	DESCRIPTION
1	24098	1	Stroke control set for 1-1/4" cylinder rod (contains items 2 - 5)
2	----	2	1-1/2" segment
3	----	1	1-1/4" segment
4	----	1	1" segment
5	----	1	3/4" segment



CROSSBAR PULLER (OPTIONAL)

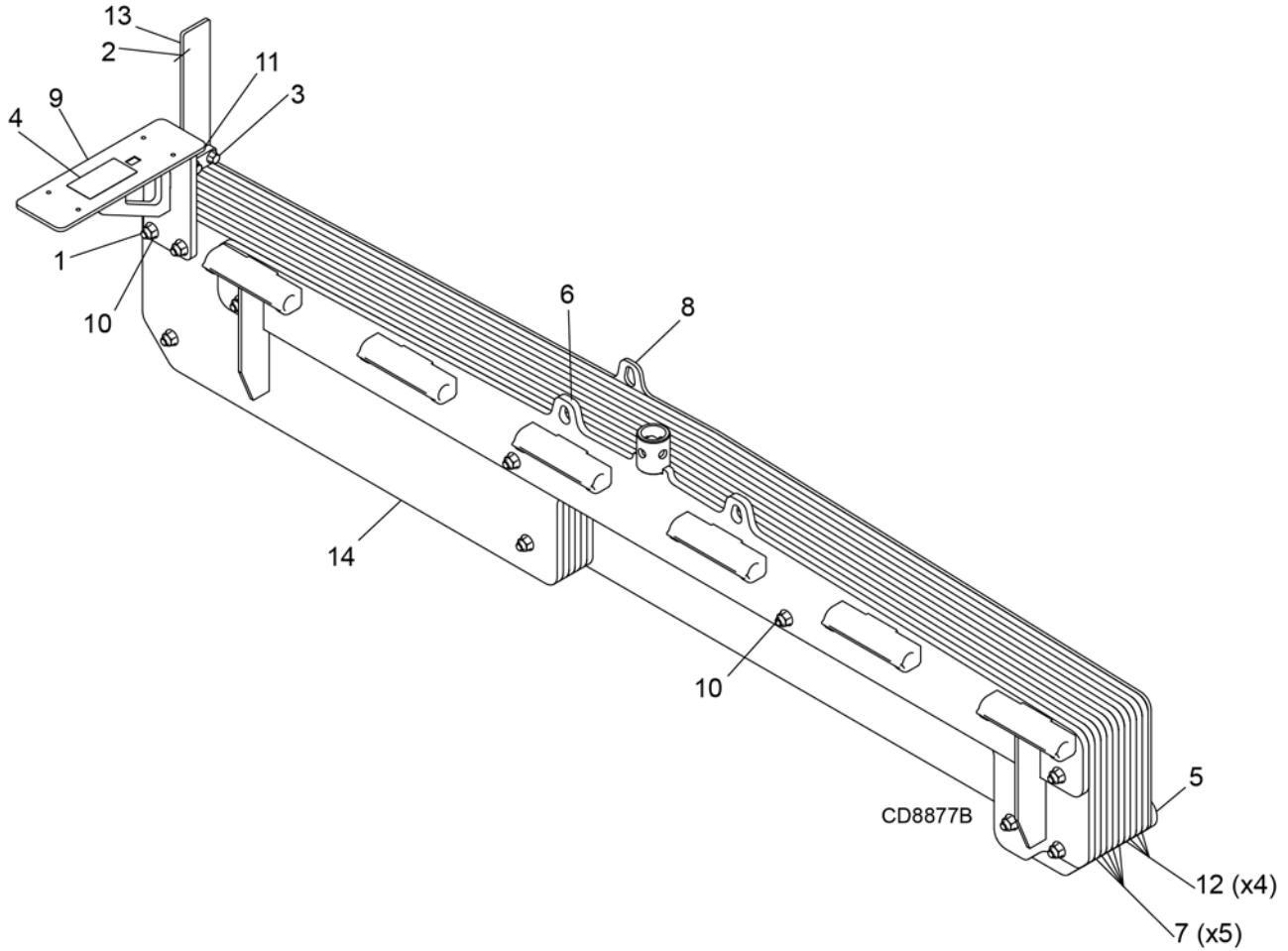


REF	PART	QTY	DESCRIPTION
A	8811	1	Crossbar puller, complete
1	19914	2	Crossbar puller clevis
2	3097 *	4	5/8 NC x 4-1/2 HHCS GR5
3	230 *	4	5/8 NC hex nut

REF	PART	QTY	DESCRIPTION
4	24879	1	Crossbar puller pad assembly
5	24876	1	Crossbar puller tube assembly
6	24881	1	Crossbar puller screw assembly
7	24885	4	Crossbar puller link

* Standard hardware - obtain locally

BW10.70 / BW10.70Q WEIGHT BOX ASSEMBLY



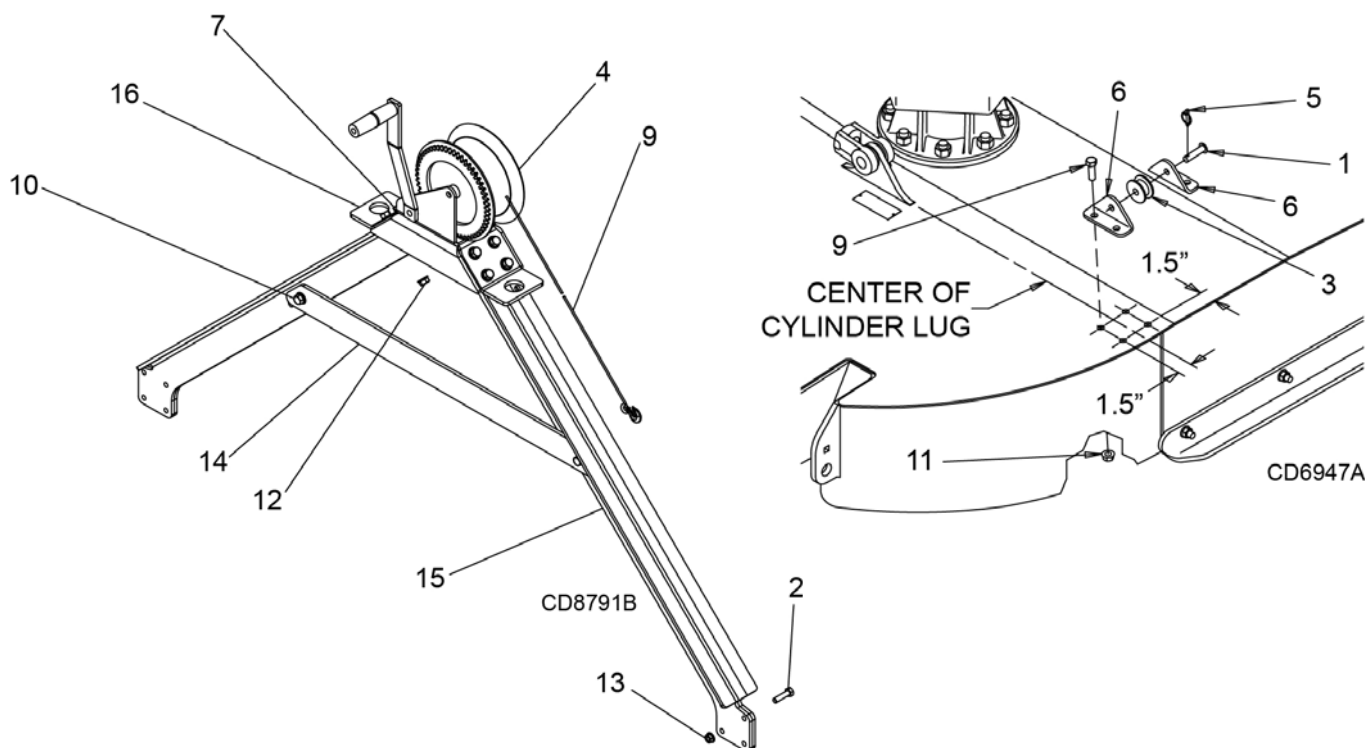
REF	PART	QTY	DESCRIPTION
1	22205	10	HHCS 1/2 NC x 6-1/2 GR5
2	57123	1	DCL 2 x 9 rear reflector
3	1033958	2	Screw .375 NC x 1 - .25 hex flange ser
4	1041910	1	Decal, NOTICE, light kit
5	1045084RP	1	Plate, WT box skid
6	1045088RP	1	WA, WT box hinge
7	1045090RP	5	Plate, WT box inner
8	1045091RP	1	Plate, WT box outer
9	1045095RP	1	WA, WT box mount
10	1045624	10	Nut, HFN 1/2 NC, Dri-Loc patch
11	1045628	2	Nut, HFN 3/8 NC, Dri-Loc patch
12	1045879RP	4	Plate, WT box inner 70
13	1045883	1	Lug, WT box reflector
14	1046095RP	1	Plate, WT box inner notch

HHCS Hex Head Cap Screw

58 Parts

(Rev. 8/16/2018)
MAN1239 (12/14/2017)

WINCH KIT (OPTIONAL)



REF	PART	QTY	DESCRIPTION
A	1045853	-	Winch Kit, complete
1	409	2	1/2 x 2 clevis pin
2	6250	8	HHCS 5/16 NC x 1-1/4 GR5 ZP
3	6696	2	Chain idler casting
4	12612	1	Winch, gear 20 5.1 to 1
5	22411	2	3/16 x 1 klik pin
6	52478	4	Link bent .25 x 1.5 x 4.50
7	62153	11	Screw .375 NC x 1 hex flange ser
8	603801	1	Cable, 3/16 x 25 ft, Hook
9	1031225	8	HFS .50 NC x 1.25 GR5
10	1033958	2	Screw .375 NC x 1 -.25 hex flange ser
11	1045624	8	Nut, HFN 1/2 NC, Dri-Loc patch
12	1045628	13	Nut, HFN 3/8 NC, Dri-Loc patch
13	1045655	8	Nut, HFN 5/16 NC, Dri-Loc patch
14	1045856RP	1	Link, winch tie
15	1045858RP	2	WA, winch tie
16	1045859RP	1	Channel, winch mount
	N/S		Not Serviced

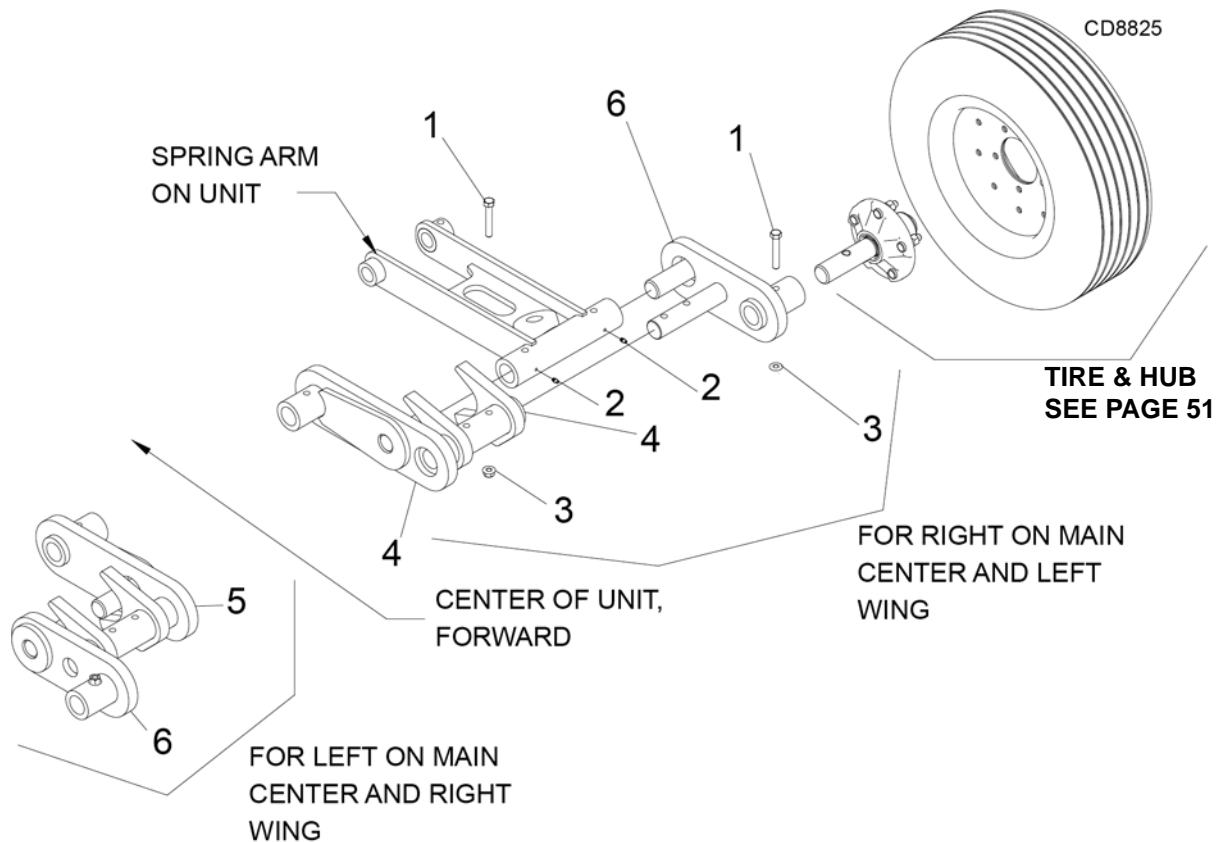
Winch Kit Installation

1. Locate and drill one 9/16" hole in each wing as shown. Assemble items 6, 3, 1 and 5 and use to locate and drill remaining holes.
2. Secure idler brackets (6) and rollers (3) to deck with bolts (9) and nuts (11).
3. Assemble uprights to inside of rear center frame using bolts (2) and nuts (13).
4. Assemble winch assembly to uprights (4) using bolts (7) and lock nuts (12).
5. Tighten all hardware.

Winch Kit Operation

1. Move cutter so wing is on the up slope of a ditch to aid in wing lift with the winch.
2. Unwind cable and remove roller (14).
3. Place cable around roller (14) and reinstall using pin (12) and Klik pin (13).
4. Connect C-Hook (8) to winch mount (2).
5. Remove cylinder pin from clevis end and raise slowly with winch.
6. Install transport lock before moving unit.

TANDEM AXLE (OPTIONAL)



Tandem Axle Installation

1. Raise unit and support with jack stands per diagram page 20 to take pressure from tires.
2. Remove wheel assembly from right spring arm hub assembly from center frame.
3. Remove axle hub from right spring arm.
4. Install drive type grease fitting in four holes in spring arm.
5. Install tandem arm 1045738 as shown.
6. Install tandem arm 1045739 as shown, sliding both axles into receiving tubes. Fasten with screws 3489 and nuts 1045624 provided.
7. Install axle / hub 1017050 and secure with screw 3489 and nut 1045624, reused or purchased separately as needed.
8. Install wheel assembly.
9. Repeat for left spring arm of center frame, using 1045850 in place of 1045738, installed from the center.
10. Repeat for wings if purchased, noting orientation of parts to locate wheels in the correct position. Outer wheel should be forward of inner wheel on both wings.

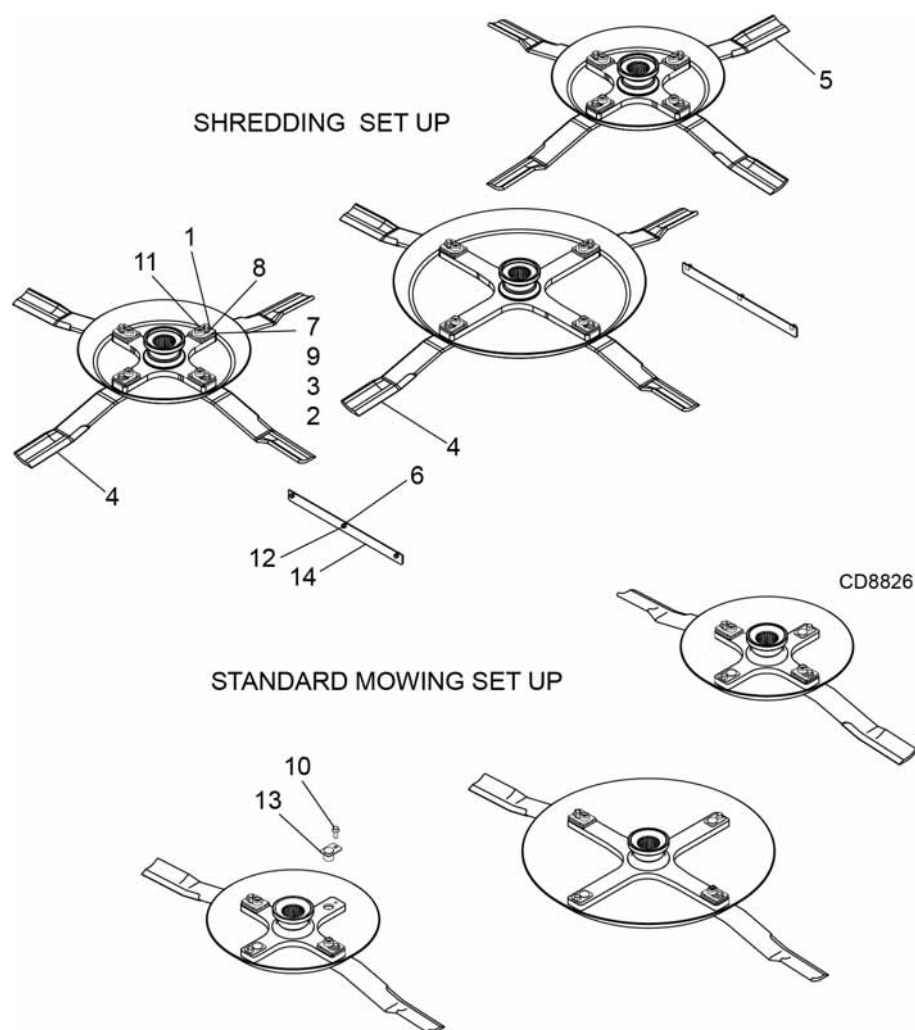
BEFORE SERIAL NO. 10007668087004

REF	PART	QTY	DESCRIPTION
1	3489	8	HHCS 1/2 NC x 3 GR5 ZP
2	1043432	8	Zerk, 1/4 drive type
3	1045624	8	NUT, HFN 1/2 NC, Dri-Loc patch
4	1045738RP	1	WA, tandem arm, RT
5	1045739RP	1	WA, tandem arm, LT
6	1045850RP	2	WA, tandem arm

AFTER SERIAL NO. 10007668087004

REF	PART	QTY	DESCRIPTION
1	3489	8	HHCS 1/2 NC x 3 GR5 ZP
2	1043432	8	Zerk, 1/4 drive type
3	1045624	8	NUT, HFN 1/2 NC, Dri-Loc patch
4	617126RP	1	WA, tandem arm, RT
5	617127RP	1	WA, tandem arm, LT
6	1045850RP	2	WA, tandem arm

SHRED KIT (OPTIONAL)



Installation Instructions

1. Install supplied shred kit blades as shown, using shims to obtain no more than .25" movement at blade tip. Stack shims as shown on page 20.
2. Install baffle extensions 1045884 with supplied hardware onto front wing baffles.

Returning Batwing® to Brush Cutting

1. Remove baffles.
2. Remove one opposing set of blades and hardware from each crossbar.
3. To protect unused hole for following season: coat tab pin into hole and secure with screw 1031225.
4. For lower horsepower shredding, remove baffle extensions. For extremely low horsepower shredding, order 3 sets of flat double edge blade kits 19162KT.

REF	PART	QTY	DESCRIPTION
1	3379	6	HHCS 1/2 NC x 1-1/2 GR5 ZP
2	10520	6	18 GA 1-1/2 blade pin shim
3	13946	6	20 GA 1-1/2 blade pin shim
4	19160KT	4	Blade, .50 x 4 x 25 CCW FRMD, kit
5	19161KT	2	Blade, .50 x 4 x 2.5 CW FRMD, kit
6	24597	6	Bolt CRG 3/8 NC x 3/4
7	32603	6	Keyhole plate special
8	32604	6	Blade pin lock clip spec
9	1028824	6	Spacer, 5/16 thick blade pin
10	1031225	6	HFS .50 NC x 1.25 GR5
11	1045034RP	6	Pin, blade, DRL, 2.39
12	1045628	6	Nut, HFN 3/8 NC, Dri-Loc patch
13	1045820	6	WA, pin 1.50 X 1.13
14	1045884RP	2	Lug, shred baffle
15	19162KT	3	BLD, .50 x 4 x 25 flat double edge blade kit (Optional for low-horsepower shredding)

BOLT TORQUE CHART

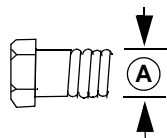
Always tighten hardware to these values unless a different torque value or tightening procedure is listed for a specific application.

Fasteners must always be replaced with the same grade as specified in the manual parts list.

Always use the proper tool for tightening hardware: SAE for SAE hardware and Metric for metric hardware.

Make sure fastener threads are clean and you start thread engagement properly.

All torque values are given to specifications used on hardware defined by SAE J1701 MAR 99 & J1701M JUL 96.



SAE SERIES TORQUE CHART



SAE Grade 2
(No Dashes)

SAE Bolt Head Identification

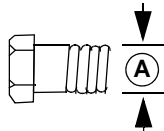


SAE Grade 5
(3 Radial Dashes)



SAE Grade 8
(6 Radial Dashes)

Ⓐ Diameter (Inches)	Wrench Size	MARKING ON HEAD					
		SAE 2		SAE 5		SAE 8	
		lbs-ft	N-m	lbs-ft	N-m	lbs-ft	N-m
1/4"	7/16"	6	8	10	13	14	18
5/16"	1/2"	12	17	19	26	27	37
3/8"	9/16"	23	31	35	47	49	67
7/16"	5/8"	36	48	55	75	78	106
1/2"	3/4"	55	75	85	115	120	163
9/16"	13/16"	78	106	121	164	171	232
5/8"	15/16"	110	149	170	230	240	325
3/4"	1-1/8"	192	261	297	403	420	569
7/8"	1-5/16"	306	416	474	642	669	907
1"	1-1/2"	467	634	722	979	1020	1383



METRIC SERIES TORQUE CHART



Metric
Grade 8.8

Metric Bolt Head Identification

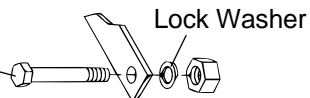


Metric
Grade 10.9

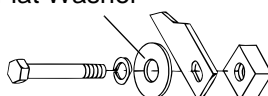
Ⓐ Diameter & Thread Pitch (Millimeters)	Wrench Size	COARSE THREAD				FINE THREAD				Ⓐ Diameter & Thread Pitch (Millimeters)
		MARKING ON HEAD								
		Metric 8.8		Metric 10.9		Metric 8.8		Metric 10.9		
		N-m	lbs-ft	N-m	lbs-ft	N-m	lbs-ft	N-m	lbs-ft	
6 x 1.0	10 mm	8	6	11	8	8	6	11	8	6 x 1.0
8 x 1.25	13 mm	20	15	27	20	21	16	29	22	8 x 1.0
10 x 1.5	16 mm	39	29	54	40	41	30	57	42	10 x 1.25
12 x 1.75	18 mm	68	50	94	70	75	55	103	76	12 x 1.25
14 x 2.0	21 mm	109	80	151	111	118	87	163	120	14 x 1.5
16 x 2.0	24 mm	169	125	234	173	181	133	250	184	16 x 1.5
18 x 2.5	27 mm	234	172	323	239	263	194	363	268	18 x 1.5
20 x 2.5	30 mm	330	244	457	337	367	270	507	374	20 x 1.5
22 x 2.5	34 mm	451	332	623	460	495	365	684	505	22 x 1.5
24 x 3.0	36 mm	571	421	790	583	623	459	861	635	24 x 2.0
30 x 3.0	46 mm	1175	867	1626	1199	1258	928	1740	1283	30 x 2.0

Typical Washer Installations

Bolt



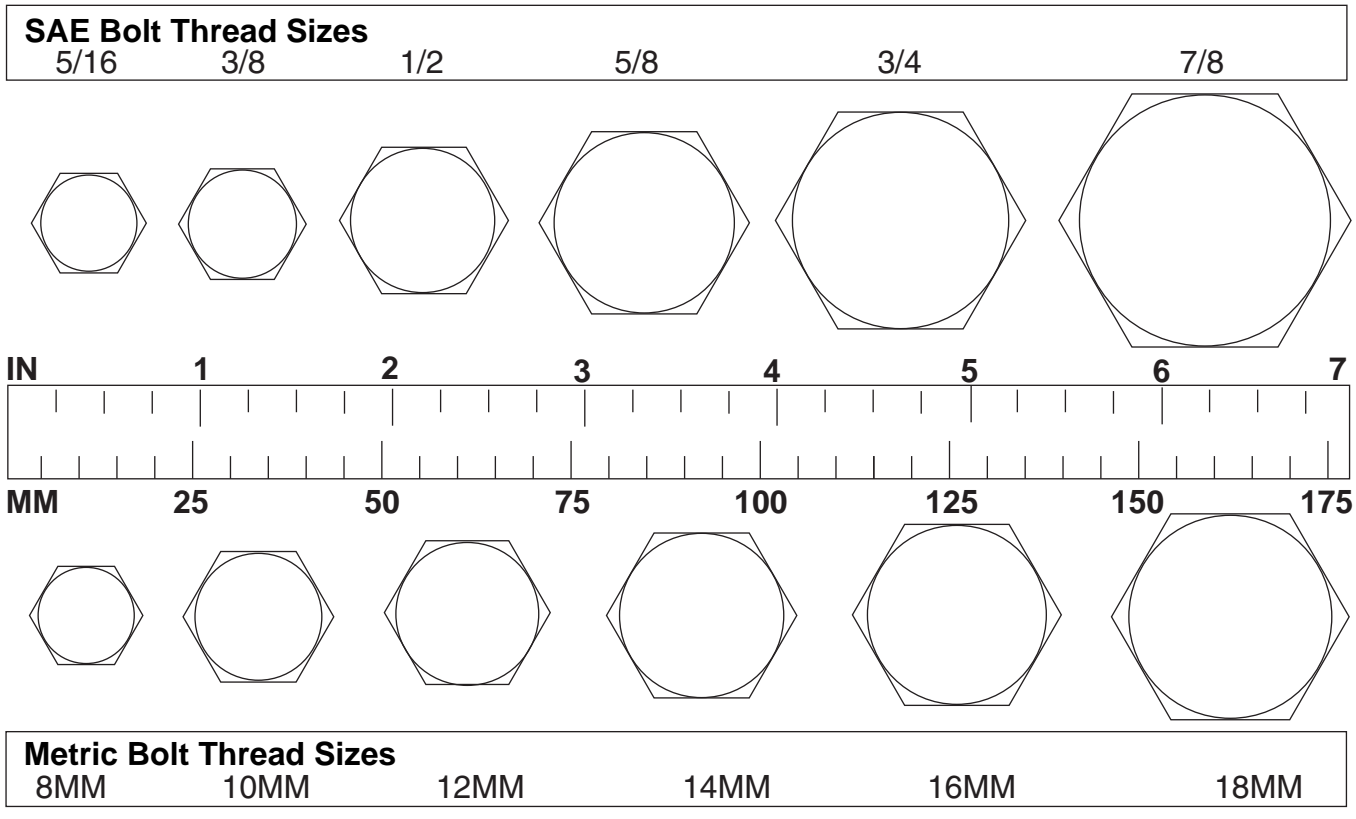
Flat Washer



8/9/00

BOLT SIZE CHART

NOTE: Chart shows bolt thread sizes and corresponding head (wrench) sizes for standard SAE and metric bolts.



ABBREVIATIONS

AG	Agriculture	MPa.....	Mega Pascal
ASABE.....	American Society of Agricultural & Biological Engineers (formerly ASAE)	N.....	Newton
ASAE	American Society of Agricultural Engineers	NC	National Coarse
ATF	Automatic Transmission Fluid	NF	National Fine
BSPP	British Standard Pipe Parallel	NPSM.....	National Pipe Straight Mechanical
BSPTM	British Standard Pipe Tapered Male	NPT	National Pipe Tapered
CV.....	Constant Velocity	NPT SWF	National Pipe Tapered Swivel Female
CCW	Counter-Clockwise	ORB.....	O-Ring Boss - Male
CW.....	Clockwise	P.....	Pitch
F	Female	PBY	Power-Beyond
FT	Full Thread	psi.....	Pounds per Square Inch
GA.....	Gauge	PTO.....	Power Take Off
GR (5, etc.)	Grade (5, etc.)	QD.....	Quick Disconnect
HHCS	Hex Head Cap Screw	RH.....	Right Hand
HT	Heat-Treated	ROPS	Roll-Over Protective Structure
JIC	Joint Industry Council 37° Degree Flare	RPM	Revolutions Per Minute
LH.....	Left Hand	RT.....	Right
LT.....	Left	SAE	Society of Automotive Engineers
m.....	Meter	UNC	Unified Coarse
mm.....	Millimeter	UNF	Unified Fine
M.....	Male	UNS.....	Unified Special

INDEX

ADJUSTMENTS

- Cutting Height 15
- Slip Clutch 22

ASSEMBLY

- Dealer Set-Up Instructions 33
- Fill Gearboxes 20

DEALER CHECK LIST

- Check Lists
 - Delivery (Dealer's Responsibility) 35
 - Pre-Delivery (Dealer's Responsibility) 35

DEALER SERVICE

- Crossbar
 - Installation 31
 - Removal 30
- Gearbox Maintenance
 - Seal Installation 25
 - Seal Replacement 25
 - Horizontal Shaft 26
 - Vertical Shaft 26
- Gearbox Repair
 - Assembly 26, 27
 - Disassembly 26
 - Reinstallation 27
 - Removal 26
- Splitter Gearbox Repair
 - Assembly 28
 - Check Gearbox for Leaks 28, 29
 - Disassembly 28
 - Reinstallation 29
 - Removal from Cutter 28
- Universal Joint
 - Assembly 32
 - Disassembly 31
 - Repair 31

GENERAL

- Abbreviations 63
- Bolt Size Chart 63
- Bolt Torque Chart 62
- General Information 4
- Introduction 2
- Obtaining Replacement Manuals 2
- Product Registration 2
- Specifications 4
- Table of Contents 3
- Warranty
 - Product 66
 - Replacement Parts 67

OPERATION

- Connecting Cutter to Tractor 14
 - Cutting Height Adjustment 15
 - CV Driveline Turning Limits 15
 - Hydraulic Connection 15
 - Interference Check 15
- Cutter Operation 16
 - Mowing Tips 16
 - Shredding 16
- Pre-Operation Check List (Owner's Responsibility) 18
- Storage 18
- Tractor Operation 16
- Transporting 17
 - Lock-Up 17
 - Center Section 17
 - Wing 17

OWNER SERVICE

- Adjusting Slip Clutch 22
- Blades
 - Installation 21
 - Removal 21
 - Sharpening 22
- Blocking Method 19
- Lubrication
 - Driveline 20
 - Gearbox 20
 - Lubrication Points 20
 - Seasonal 21
- Shielding Repair 23
- Slip Clutch Adjustment 22

PARTS

- Parts Index 37

SAFETY

- Blocking Method 19
- Check Lists
 - Delivery Check List (Dealer's Responsibility) 35
 - Pre-Delivery Check List (Dealer's Responsibility) 35
 - Pre-Operation Check List (Owner's Responsibility) 18
- Online Safety Video 5, 6
- Safety & Instructional Decals 11, 12, 13
- Safety Rules 7, 8, 9, 10
- Safety Symbols Explained 2

TROUBLESHOOTING 24

NOTES

WARRANTY

All Models Except Zero-Turn Mowers

Please Enter Information Below and Save for Future Reference.

Date Purchased: _____ From (Dealer): _____

Model Number: _____ Serial Number: _____

Woods Equipment Company ("WOODS") warrants this product to be free from defect in material and workmanship. Except as otherwise set forth below, the duration of this Warranty shall be for TWELVE (12) MONTHS COMMENCING ON THE DATE OF DELIVERY OF THE PRODUCT TO THE ORIGINAL PURCHASER.

All current model backhoes, loaders and mounts (except 3-pt. SAF-T-LOK® mounts) are warranted for two (2) years from the date of delivery to the original purchaser. The limited warranty covers any defects in the material and/or workmanship. Following the proper, recommended installation by an authorized Woods Dealer and normal use of a Woods mounting and backhoe or loader, if a tractor incurs damage resulting from the attachment, Woods will cover the existing tractor warranty in the event the manufacturer voids its tractor warranty because of the attachment. Warranty does not cover any misuse or abusive conditions that could cause premature wear or damage to attachment or tractor.

The warranty periods for specific parts or conditions are listed below:

Part or Condition Warranted	Model Number	Duration (from date of delivery to the original purchaser)
	All units invoiced after 4/30/2012	
Gearbox components	BB48.30, BB60.30, BB72.30, BB84.40, BB60.50, BB72.50, BB60.60, BB72.60, BB84.60, BB84.50, DS8.30, DS10.40, DS8.50, DSO8.50, DS10.50, DSO10.50, DBH5.31, DBH6.31	6 years
	BW12, BW10.50, BW10.50Q, BW15.50, BW15.50Q, BW10.60, BW10.60Q, BW13.70, BW13.70Q, BW13.70QREV, BW15.60, BW15.60Q, BW10.70, BW10.70Q, BW15.70, BW15.70Q, BW20.50, BW20.50Q, BW20.60, BW20.60Q, BW20.70, BW20.70Q	
	BW240X, BW240XHD, BW1620X, BW2400X	
	RD990X, PRD6000, PRD7200, PRD8400, S15CD, S20CD, S22CD, S25CD, S27CD, S30CD, TC/R74, TC/R68, TC/R60, TBW144, TBW180, TBW204, TSG50, S12ED, S15ED, S18ED, S20ED, TPD25, TPD35, TPD65, TPD95	
	RDC54, RD60, RD72, TBW150C, TS/R60, TS/R52, TS/R44, RC3.5, RC4, RC5, RC6	3 years (1 year if used in rental or commercial applications)
Blade spindles	RD990X, PRD6000, PRD7200, PRD8400, TBW144, TBW180, TBW204	3 years

Under no circumstances will this Warranty apply in the event that the product, in the good faith opinion of WOODS, has been subjected to improper operation, improper maintenance, misuse, or an accident. This Warranty does not apply in the event that the product has been materially modified or repaired by someone other than WOODS, a WOODS authorized dealer or distributor, and/or a WOODS authorized service center. This Warranty does not cover normal wear or tear, or normal maintenance items. This Warranty also does not cover repairs made with parts other than those obtainable through WOODS.

This Warranty is extended solely to the original purchaser of the product. Should the original purchaser sell or otherwise transfer this product to a third party, this Warranty does not transfer to the third party purchaser in any way. There are no third party beneficiaries of this Warranty.

WOODS makes no warranty, express or implied, with respect to engines, batteries, tires or other parts or accessories not manufactured by WOODS. Warranties for these items, if any, are provided separately by their respective manufacturers.

WOODS' obligation under this Warranty is limited to, at WOODS' option, the repair or replacement, free of charge, of the product if WOODS, in its sole discretion, deems it to be defective or in noncompliance with this Warranty. **The product must be returned to WOODS with proof of purchase within thirty (30) days after such defect or noncompliance is discovered or should have been discovered, routed through the dealer and distributor from whom the purchase was made, transportation charges prepaid.** WOODS shall complete such repair or replacement within a reasonable time after WOODS receives the product. **THERE ARE NO OTHER REMEDIES UNDER THIS WARRANTY. THE REMEDY OF REPAIR OR REPLACEMENT IS THE SOLE AND EXCLUSIVE REMEDY UNDER THIS WARRANTY.**

THERE ARE NO WARRANTIES WHICH EXTEND BEYOND THE DESCRIPTION ON THE FACE OF THIS WARRANTY. WOODS MAKES NO OTHER WARRANTY, EXPRESS OR IMPLIED, AND WOODS SPECIFICALLY DISCLAIMS ANY IMPLIED WARRANTY OF MERCHANTABILITY AND/OR ANY IMPLIED WARRANTY OF FITNESS FOR A PARTICULAR PURPOSE.

WOODS shall not be liable for any incidental or consequential losses, damages or expenses, arising directly or indirectly from the product, whether such claim is based upon breach of contract, breach of warranty, negligence, strict liability in tort or any other legal theory. Without limiting the generality of the foregoing, Woods specifically disclaims any damages relating to (i) lost profits, business, revenues or goodwill; (ii) loss of crops; (iii) loss because of delay in harvesting; (iv) any expense or loss incurred for labor, supplies, substitute machinery or rental; or (v) any other type of damage to property or economic loss.

This Warranty is subject to any existing conditions of supply which may directly affect WOODS' ability to obtain materials or manufacture replacement parts.

No agent, representative, dealer, distributor, serviceperson, salesperson, or employee of any company, including without limitation, WOODS, its authorized dealers, distributors, and service centers, is authorized to alter, modify, or enlarge this Warranty. Answers to any questions regarding warranty service and locations may be obtained by contacting:

ALITEC™
CENTRAL FABRICATORS®
GANNON®
WAIN-ROY®
WOODS®



WOODS® | A Blount International Brand
 2606 South Illinois Route 2
 Post Office Box 1000
 Oregon, Illinois 61061 USA
 800-319-6637 tel
 800-399-6637 fax
 woodsequipment.com



WARRANTY

(Replacement Parts For All Models Except Zero-Turn Mowers)

Woods Equipment Company (“WOODS”) warrants this product to be free from defect in material and workmanship for a period of ninety (90) days from the date of delivery of the product to the original purchaser with the exception of V-belts, which will be free of defect in material and workmanship for a period of 12 months.

Under no circumstances will this Warranty apply in the event that the product, in the good faith opinion of WOODS, has been subjected to improper operation, improper maintenance, misuse, or an accident. This Warranty does not cover normal wear or tear, or normal maintenance items.

This Warranty is extended solely to the original purchaser of the product. Should the original purchaser sell or otherwise transfer this product to a third party, this Warranty does not transfer to the third party purchaser in any way. There are no third party beneficiaries of this Warranty.

WOODS’ obligation under this Warranty is limited to, at WOODS’ option, the repair or replacement, free of charge, of the product if WOODS, in its sole discretion, deems it to be defective or in noncompliance with this Warranty. **The product must be returned to WOODS with proof of purchase within thirty (30) days after such defect or noncompliance is discovered or should have been discovered, routed through the dealer and distributor from whom the purchase was made, transportation charges prepaid.** WOODS shall complete such repair or replacement within a reasonable time after WOODS receives the product. THERE ARE NO OTHER REMEDIES UNDER THIS WARRANTY. THE REMEDY OF REPAIR OR REPLACEMENT IS THE SOLE AND EXCLUSIVE REMEDY UNDER THIS WARRANTY.

THERE ARE NO WARRANTIES WHICH EXTEND BEYOND THE DESCRIPTION ON THE FACE OF THIS WARRANTY. WOODS MAKES NO OTHER WARRANTY, EXPRESS OR IMPLIED, AND WOODS SPECIFICALLY DISCLAIMS ANY IMPLIED WARRANTY OF MERCHANTABILITY AND/OR ANY IMPLIED WARRANTY OF FITNESS FOR A PARTICULAR PURPOSE.

WOODS shall not be liable for any incidental or consequential losses, damages or expenses, arising directly or indirectly from the product, whether such claim is based upon breach of contract, breach of warranty, negligence, strict liability in tort or any other legal theory. Without limiting the generality of the foregoing, Woods specifically disclaims any damages relating to (i) lost profits, business, revenues or goodwill; (ii) loss of crops; (iii) loss because of delay in harvesting; (iv) any expense or loss incurred for labor, supplies, substitute machinery or rental; or (v) any other type of damage to property or economic loss.

This Warranty is subject to any existing conditions of supply which may directly affect WOODS’ ability to obtain materials or manufacture replacement parts.

No agent, representative, dealer, distributor, service person, salesperson, or employee of any company, including without limitation, WOODS, its authorized dealers, distributors, and service centers, is authorized to alter, modify, or enlarge this Warranty.

Answers to any questions regarding warranty service and locations may be obtained by contacting:

WOODS® | A Blount International Brand

2606 South Illinois Route 2
Post Office Box 1000
Oregon, Illinois 61061 USA

800-319-6637 tel
800-399-6637 fax
woodsequipment.com

ALITEC™
CENTRAL FABRICATORS®
GANNON®
WAIN-ROY®
WOODS®

PART NO.
MAN1239

WOODS® | A Blount International Brand

2606 South Illinois Route 2
Post Office Box 1000
Oregon, Illinois 61061 USA

800-319-6637 tel
800-399-6637 fax
woodsequipment.com

WOODS®

© 2019 Woods Equipment Company. All rights reserved. Woods® and the Woods logo are trademarks of Woods Equipment Company. All other trademarks, trade names, or service marks not owned by Woods Equipment Company that appear in this manual are the property of their respective companies or mark holders. Specifications subject to change without notice.