

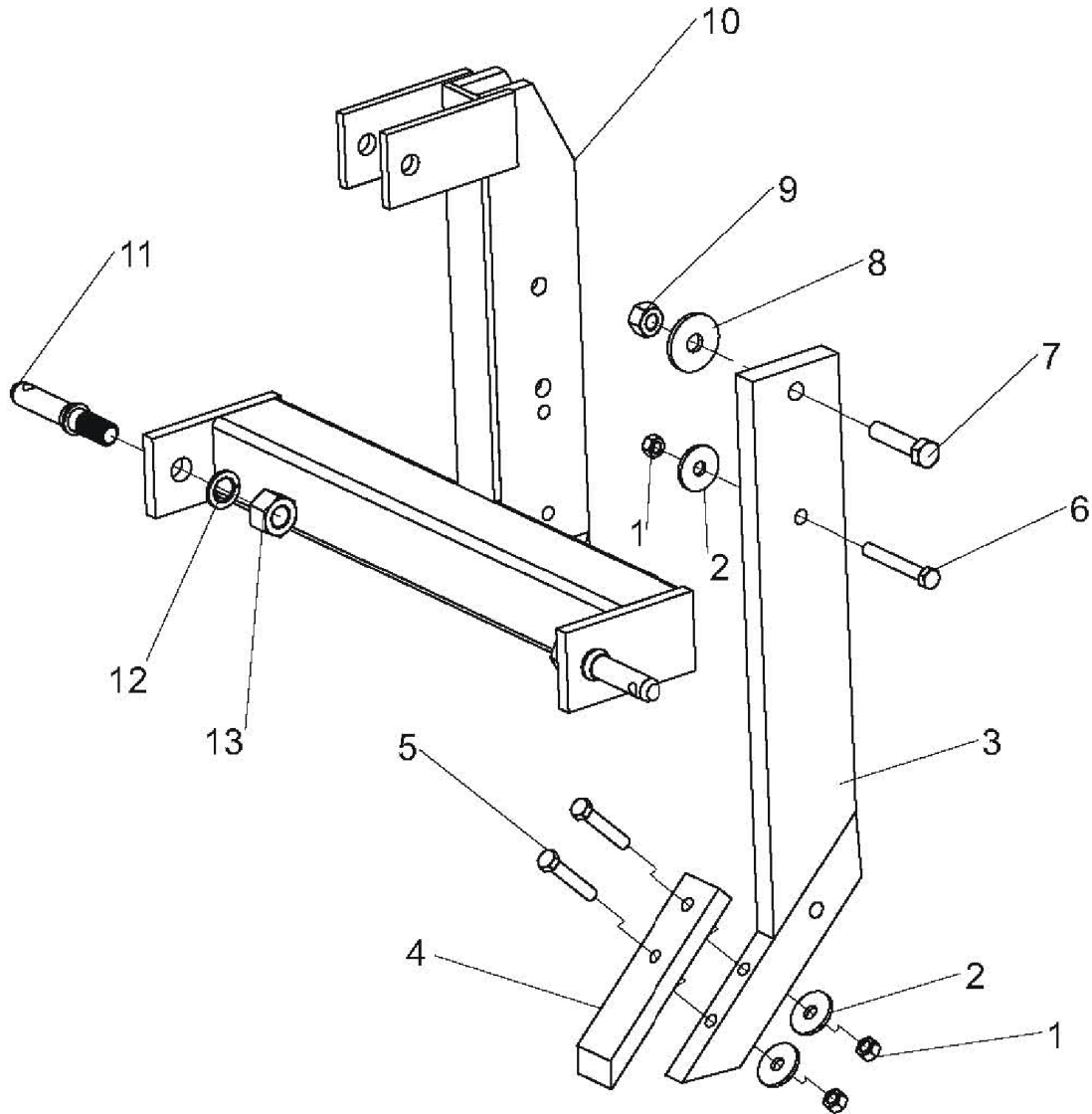


OPERATIONS & PARTS MANUAL

FOR MODELS:
• BE-SS1RG

PURCHASE DATE	MODEL NO.	SERIAL NUMBER
DEALER		

EXPLODED VIEW & PARTS LIST



REF.	PART NUMBER	DESCRIPTION	QTY
1		Lock Nut M12	3
2		Washer 12	3
3	SS3G	Shank	1
4	SS4G	Tooth	1
5		Bolt M12x85	2
6		Bolt M12x65	1
7	01.016.070	Bolt M16x70	1
8		Washer 16	1
9		Lock Nut M16	1
10	SS10G	Main Frame	1
11		Hitch Pin	2
12		Lock Washer 22	2
13		Bolt M22	2



BRABEREQ.COM
WGSALES@BRABEREQ.COM

PHONE: 604-850-7770
FAX: 604-850-7774
TOLL FREE PHONE: 1-877-588-3311
TOLL FREE FAX: 1-800-665-7334