



OPERATIONS & PARTS MANUAL

PURCHASE DATE	MODEL NO.	SERIAL NUMBER
DEALER		

TABLE OF CONTENTS

3	Specifications and Safety
4	General Information
6	Transporting the Stump Grinder and Maintenance
7	Parts and Diagrams

SPECIFICATIONS OF BE-SGH24

MODEL	TSG61
TRACTOR POWER MIN.	30HP
CAT	CAT1&2
NUMBER OF TEETH	16 pcs in forged carbide face
PTO SHAFT ROTATION	540RPM
HYDRAULIC CONNECTIONS	2X double acting
MILLING SWIVEL RANGE / FLY WHEEL DIAMETER	610mm
SWIVEL ANGLE	40degree
MILLING HEIGHT	40cm above level
MILLING DEPTH	30cm below level
MILLING WHEEL ROTATION	950RPM
PACKAGE	By wooden box
WEIGHT	280KG

ABOUT THIS MANUAL

This manual has been designed to help you do a better, safer job. Read this manual carefully and become familiar with its contents. Remember, never let anyone operate this unit without reading the “Safety Precautions” and “Operating Instructions” sections of this manual.

Unless noted otherwise, right and left sides are determined from the position of the operator when behind the product facing forward.

SAFETY ALERT SYMBOL



This is the “Safety Alert Symbol” used by this industry. This symbol is used to warn of possible injury. Be sure to read all warnings carefully. They are included for your safety and for the safety of others working with you.

SIGNAL WORDS:

Note the use of signal words DANGER, WARNING, and CAUTION with the safety messages. The appropriate signal word for each has been selected using the following guidelines:

DANGER

Indicates an imminently hazardous situation, which if not avoided, will result in death or serious injury. This signal word is to be limited to the most extreme situations, typically for machine components which, for functional purposes, cannot be guarded.

WARNING

Indicates a potentially hazardous situation, which if not avoided, could result in death or serious injury, and includes hazards that are exposed when guards are removed. It may also be used to alert against unsafe practices.

CAUTION

Indicates a potentially hazardous situation, which if not avoided, may result in minor or moderate injury. It may also be used to alert against unsafe practices.

GENERAL INFORMATION

This section is composed of various warnings and safety tips. **Read and learn all the information in this section before you attempt to use your STUMP GRINDER.** Also read your vehicle owner's manual before using your equipment.

This knowledge will help you operate your unit safely. **Do not take this information lightly, it is presented for your benefit and for the benefit of others working around you.**

TO THE OPERATOR

The primary responsibility for safety with the equipment falls to the operator. Make sure that the equipment is operated only by responsible & competent individuals with the proper instruction. It is the skill, care, common sense, and good judgement of the operator that will determine how efficiently and safely the job is performed. Know your equipment before you start. Know its capability, ties, dimensions, and how to operate all the controls. Visually inspect your equipment before you start and never operate equipment that is not in proper working order.

BEFORE YOU START

1. Read the entire loader and Stump Grinder manual. This knowledge is necessary for safe operation.
2. Do NOT operate the standard flow stump grinder on high flow hydraulic systems. Severe injury could occur due to the increased RPM.
3. Always wear safety goggles and hearing protection during operation, and make sure ALL safety shields are properly installed.
4. Follow all safety decals. Keep them clean and replace them if they become worn, damaged or illegible.
5. Do not paint over, remove or deface any safety signs or warning decals on your equipment.
6. Know your equipment inside and out. Know how to operate all controls and know emergency shut down procedures.
7. Keep all stepping surfaces, pedals, and controls free from dirt, grease and oil. Keep equipment clean to help avoid injury from a fall when getting on or off equipment.
8. Use handholds and step plates when getting on/off. Failure to do so could cause a fall.
9. Never operate the unit near bystanders, traffic, pets, livestock or buildings. Be sure others know when and where you will be working. Never direct discharge towards people, animals or property. Never allow anyone to approach the stump grinder when in operation.
10. Never take passengers on your equipment. There is no safe place for a passenger.
11. Never try to board equipment while it is running.
12. Turn off engine, remove the key and disconnect hydraulic couplers before performing maintenance. If unit must be left raised for maintenance or any other reason, block the unit securely to prevent accidental release of the lifting mechanism. Serious damage or personal injury could result.
13. Never leave the unit unattended when in a raised position. Always make sure the attachment is on the ground and keys removed before leaving the unit unattended.
14. Test all controls before you begin.
15. Do not smoke when refueling. Allow room in the gas tank for expansion. Wipe up any spilt fuel. Secure cap tightly when done.

WORKING WITH THE STUMP GRINDER

1. Never operate the unit without first reading and understanding the operator's manual.
2. Operate the unit only in daylight or sufficient artificial light.
3. Do not carry load with arms in the raised position. Always carry loads as close as possible to the ground.
4. Check your work area and know where all utility lines are. Avoid hitting underground electrical wires, cables, pipes, fence posts, gas lines, uneven side walk edges, large rocks, etc.
5. Never operate equipment while under the influence of alcohol, prescription drugs, non-prescription drugs, or illegal drugs which could inhibit physical and/or mental capacity.
6. Do not exceed rated operating capacity, as machine may become unstable which may result in loss of control.
7. Do not operate the unit without covers installed

8. Keep hands, feet, hair and clothing away from equipment with engine running. Stay clear of all moving parts.
9. Do not raise the attachment when the grinding wheel is rotating.
10. ALWAYS LOWER THE LOADER ARMS TO THE GROUND, SHUT OFF.

TRANSPORTING THE STUMP GRINDER

1. Follow all federal, state and local regulations when transporting the unit on public roads.
2. Use extra care when loading or unloading the machine onto a truck or trailer. Disconnect hydraulic couplers during transportation.

MAINTENANCE

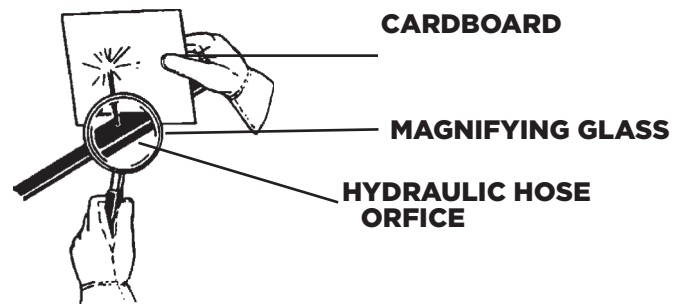
1. Never work on equipment while it is running. Always lower the loader arms to the ground, shut off the engine, remove the key and disconnect hydraulic couplers before performing maintenance on the unit.
2. Never make hydraulic repairs while the system is under pressure. Injury or death could result.
3. Observe proper maintenance schedules and repairs to keep the unit in safe working order.
4. Always wear safety goggles or glasses when working on equipment.
5. Use only manufacturer recommended replacement parts. Other parts may be substandard in fit and quality.

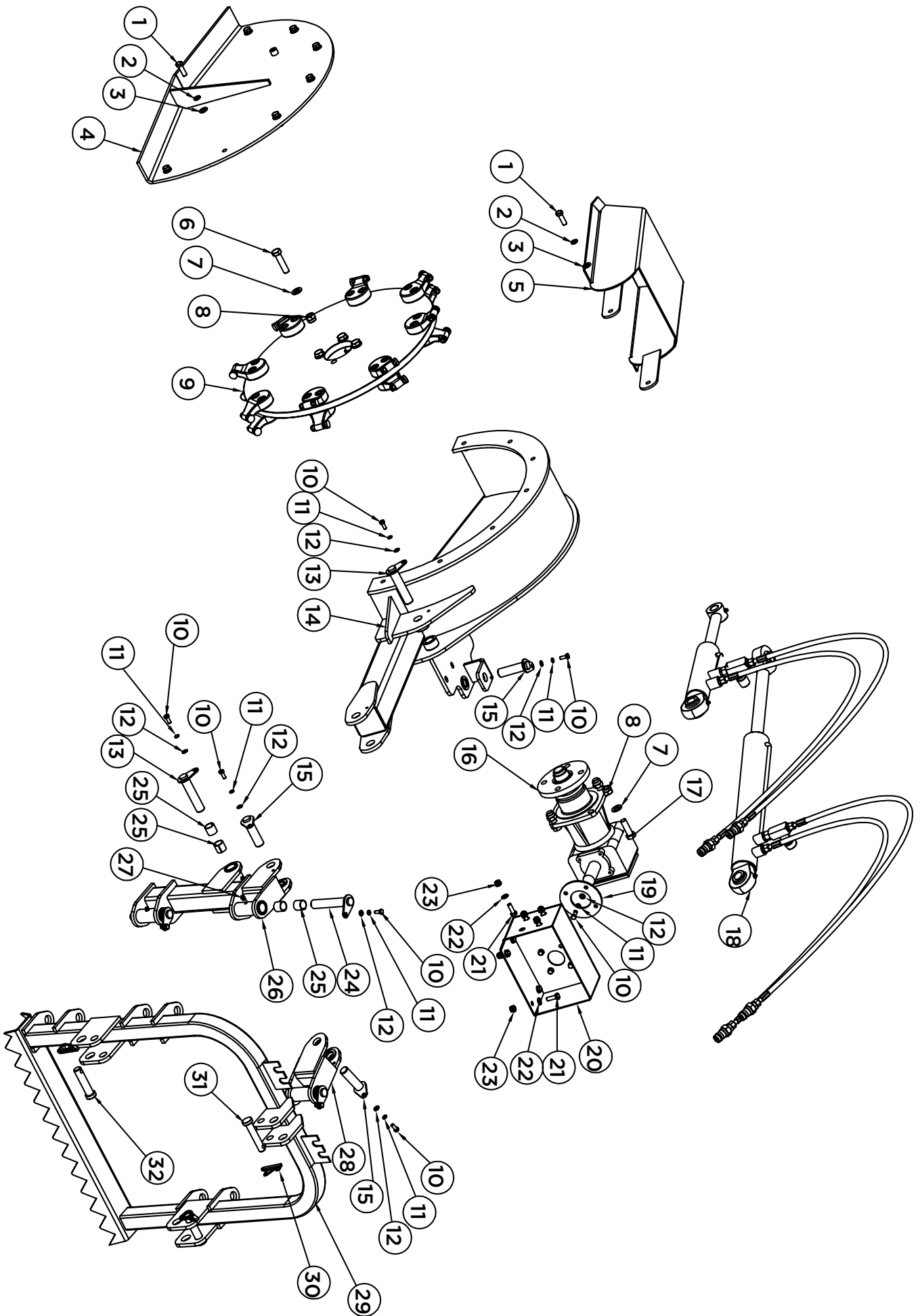
⚠ WARNING

Escaping fluid under pressure can have sufficient force to penetrate the skin causing serious personal injury. Fluid escaping from a very small hole can be almost invisible. Use a piece of cardboard or wood, rather than hands to search for suspected leaks.

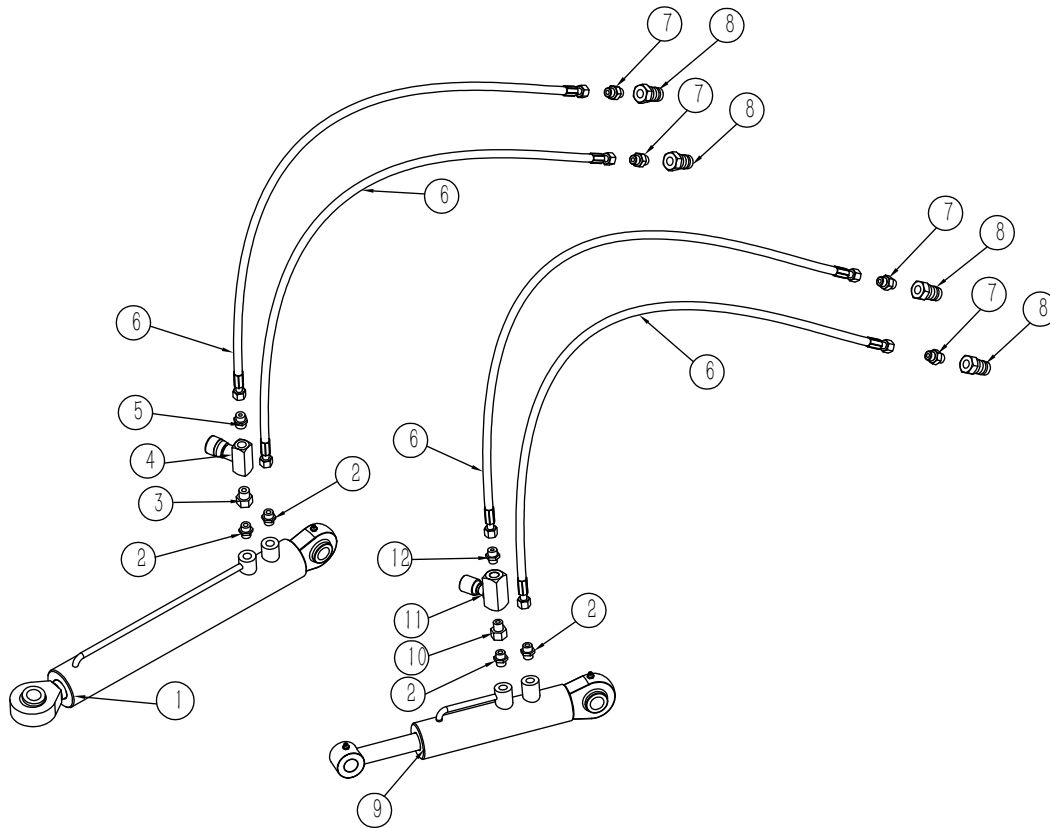
Keep unprotected body parts, such as face, eyes, and arms as far away as possible from a suspected leak. Flesh injected with hydraulic fluid may develop gangrene or other permanent disabilities.

If injured by injected fluid, see a doctor at once. If your doctor is not familiar with this type of injury, ask him to research it immediately to determine proper treatment.

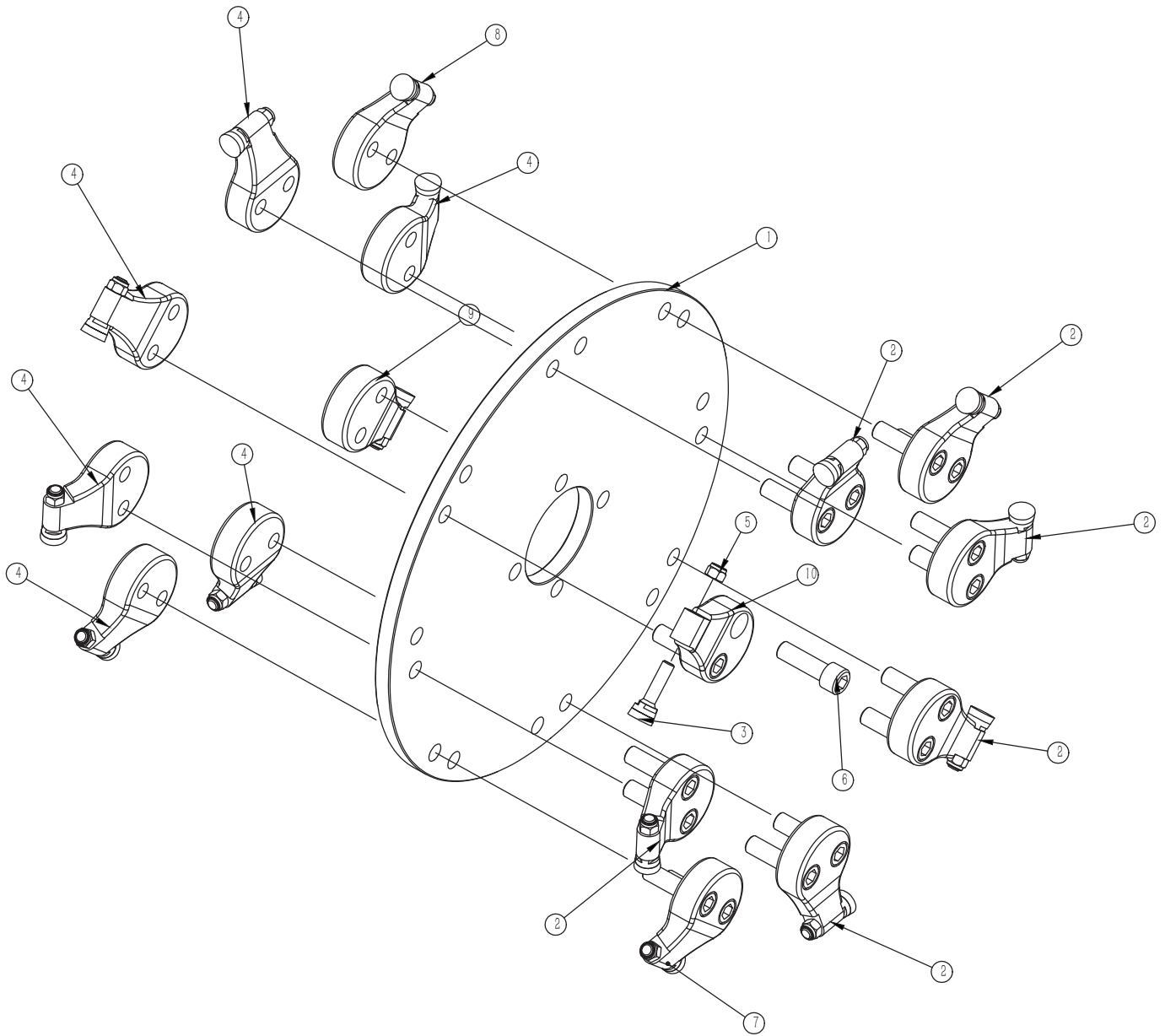




No.	Code	Description	Qty
1	GB/T 5783	Bolt M12*35	9
2	GB/T93.1	Spring washer 12	9
3	GB/T 97.1	Washer 12	9
4	TSG61.7	Side plate weldment	1
5	TSG61.6	Cover weldment	1
6	GB/T 5783	Bolt M16*65	4
7	GB/T 97.1	Washer 16	8
8	GB/T 889.1	Nut M16	8
9	SSG61.4	Rotor	1
10	GB/T 5783	Bolt M8*20	12
11	GB/T93.1	Spring washer 8	12
12	GB/T 97.1	Washer 8	12
13	TSG61.9	Pin 1	2
14	TSG61.1	Deck weldment	1
15	TSG61.10	Pin 2	3
16	TSG61.8	Gearbox	1
17	GB/T 5783	Bolt M16*50	4
18	TSG61.12	Hydraulic system	1
19	TSG61.13	Plate	1
20	TSG61.5	Plate	1
21	GB/T 5783	Bolt M10*30	8
22	GB/T 97.1	Washer 10	8
23	GB/T 889.1	Nut M10	8
24	TSG61.11	Swing shaft weldment	3
25		Bearing 28*25*25	8
26	TSG61.2	Swing shaft weldment	1
27	JB/T 7940.1-1995	Grease nipple M8*1	4
28	TSG61.3	Swing shaft weldment2	1
29	TSG61.4	3-point-linkage	1
30		10*45 lock pin	3
31	NCM175.17	Top Pin shaft	1
32	NCM175.18	Down Pin shaft	2



No.	Code	Description	Qty
1	TSG61.12-2	Swing cylinder	1
2	GE10LM16x1.5EDOMD	Connection M16*1.5-M16*1.5	4
3	EGE10LR38ED	Connection M16*1.5-G3/8	1
4	STB 3/8	Speed valve	1
5	GE10LR38EDOMD	Connection M16*1.5-G3/8	1
6	TSG61.12-3	Oil pipe	4
7	GE10LR1/2ED	Connection M16*1.5-G1/2	4
8	GB/T 5862	Quick couples G1/2	4
9	TSG61.12-1	Lift cylinder	1
10	EGE10LRED	Connection M16*1.5-G1/4	1
11	STU 1/4	Speed valve	1
12	GE10LR14ED	Connection M16*1.5-G1/4	1



Ref	Part Number	Description	Qty
1		Cutting Wheel	1
2	104.101B.034	Cutting Tip Holder 2	6
3	104.101B.033	Teeth 900	16
4	104.101B.035	3	6
5		Nylon insert Lock Nuts	16
6		Hex Socket Head Bolt	16
7	104.101B.036	4	1
8	104.101B.037	5	1
9	104.101B.038	6	1
10	104.101B.039	1	1



BRABEREQ.COM
WGSALES@BRABEREQ.COM

PHONE: 604-850-7770
FAX: 604-850-7774
TOLL FREE PHONE: 1-877-588-3311
TOLL FREE FAX: 1-800-665-7334