

EB480

Aerator





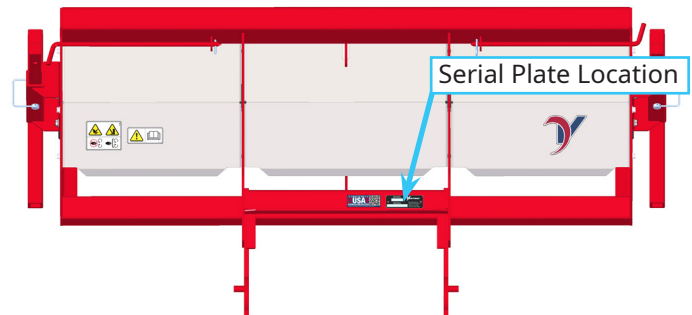
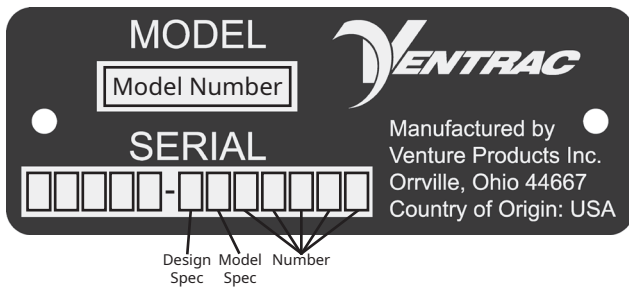
500 Venture Drive
Orrville Oh 44667
www.ventrac.com

View all manuals



Visit ventrac.com/manuals for the latest version of this parts manual. A downloadable operator's manual is also available.

Serial Number Description



Notes

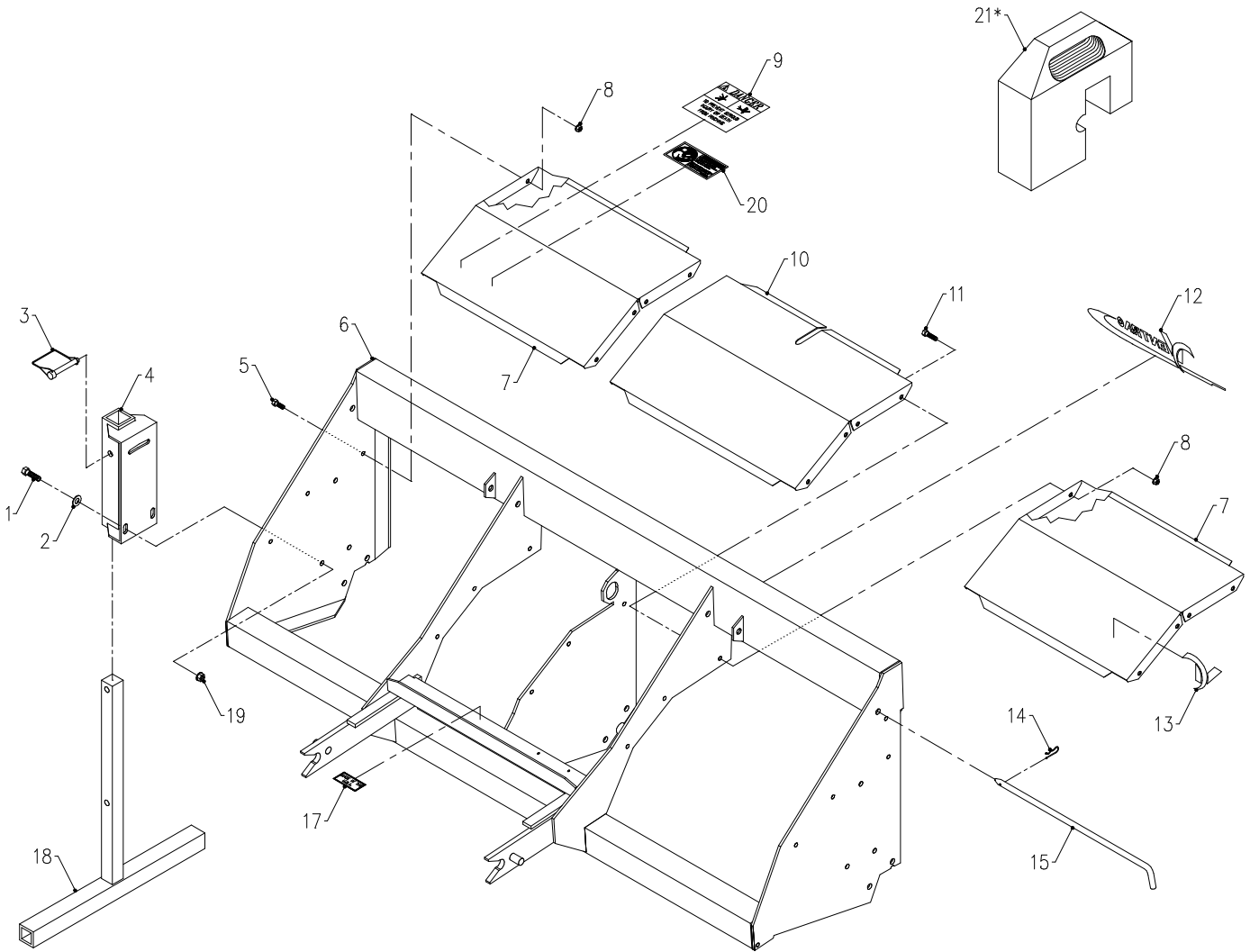
- If any component requires replacement, use only original Ventrac replacement parts.
- When ordering new components, be sure to order all required safety decals. All current safety decals must be affixed to the replacement components prior to installation of the component.

TABLE OF CONTENTS

PARTS	PAGE 4
Main Frame and Shields	4
Rotor Shaft, Reels, and Tine Kits (Serial # 1001-1075).....	6
Rotor Shaft, Reels, and Tine Kits (Serial # 1076-).....	8

PARTS

ILLUSTRATED DRAWING Main Frame and Shields



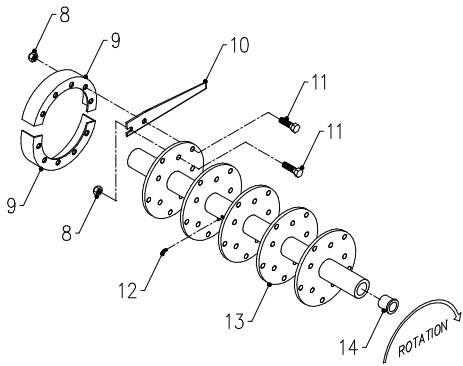
PARTS

Main Frame and Shields

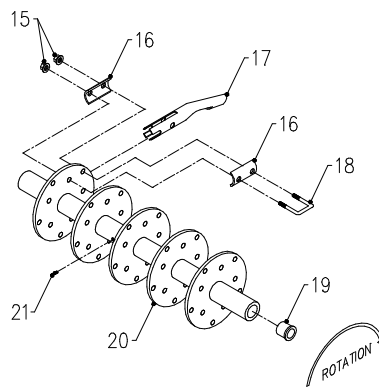
REF.	PART NO.	DESCRIPTION	QTY.
1	90.0506	.Bolt, 5/16-18 USS x 3/4	6
2	95.05	.Washer, Flat 5/16 SAE	6
3	03.0003	.Pin, Safety Snap 3/8 x 2 1/2, Zinc	2
4	64.1059	.Bracket, Stand Support Mount	2
5	99.SF0405-1	.Bolt, SMF 1/4-20 x 5/8	6
6	62.0962	.Frame, Main	1
7	60.0857	.Shield, L&R Rotor Cover	2
8	99.SF04	.Nut, SRF 1/4-20 USS	12
9	00.0102	.Decal, Danger-Pinching Hazard	1
10	60.0858	.Shield, Center Rotor Cover	1
11	99.SF0406	.Bolt, SRF 1/4-20 x 3/4	6
12	00.0189	.Decal, Ventrac Orbital	1
13	00.0192	.Decal, V-Decal Die Cut Blue	1
14	02.HP0416	.Hairpin, 1/8 x 2 ZP	2
15	42.0457	.Rod, Weight Retainer	2
17	00.0100	.Decal, Built in the USA	1
18	62.0963	.Stand, Prop	2
19	99.SF05	.Nut, SRF 5/16-18 USS	6
20	00.0217	.Decal, Warning Read Owners Man	1
21	47.0115	.Weight, Suitcase- 42 Lbs W/Box (Optional)	8

PARTS

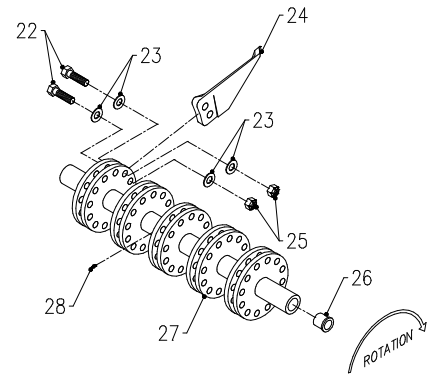
ILLUSTRATED DRAWING Rotor Shaft, Reels, and Tine Kits (Serial # 1001-1075)



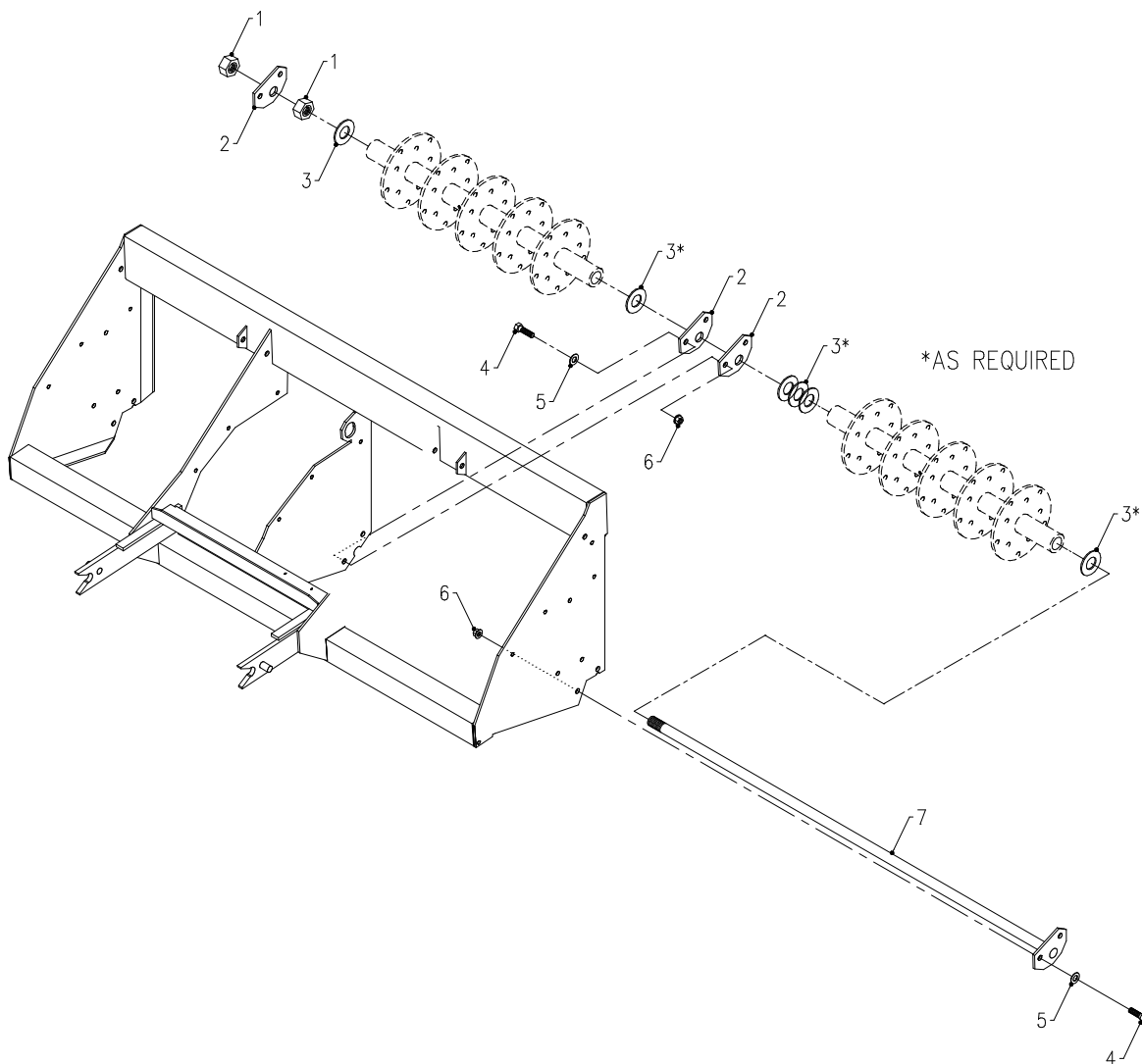
SLITTER TINE KIT # 70.8018



CORING TINE KIT # 70.8019



FRACTURE TINE KIT # 70.8017



PARTS

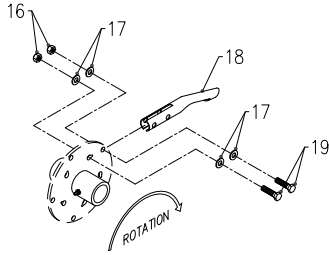
Rotor Shaft, Reels, and Tine Kits (Serial # 1001-1075)

REF.	PART NO.	DESCRIPTION	QTY.
1	92.12	Nut, 3/4-10 USS	2
2	64.1061	Anchor, Rotor Shaft EB	3
3	95.12	Washer, Flat 3/4 SAE	5*
4	90.0608	Bolt, 3/8-16 USS x 1	6
5	95.06	Washer, Flat 3/8 SAE	6
6	99.SF06	Nut, SRF 3/8-16 USS	6
7	80.0332	Shaft, Rotor EB	1
8	99.A06N	Locknut, Nylon 3/8-16	100
9	47.0223	Disk, Slitter/Slicer	20
10	79.0068	Tine, Slitter/Slicer	50
11	90.0608	Bolt, 3/8-16 USS x 1	100
12	29.GF0001	Grease Ftg, 1/4 SAE ST	2
13	80.0334	Reel, Tine CT & SS EB480	2
14	85.B0078	Bushing, Bronze Bannerman	4
15	99.SF06	Nut, SRF 3/8-16 USS	100
16	79.0069-1	Saddle, Brace For Core Tine	100
17	79.0069	Tine, 3/4" Closed Spoon	50
18	11.0060	U-Bolt, 3/8-16 1-1/8 ID SQ	50
19	85.B0078	Bushing, Bronze Bannerman	4
20	80.0334	Reel, Tine CT & SS EB480	2
21	29.GF0001	Grease Ftg, 1/4 SAE ST	2
22	91.0816	Bolt, 1/2-20 SAE x 2	80
23	95.05	Washer, Flat 5/16 SAE	160
24	79.0067	Tine, Fracture	40
25	99.A08NF	Locknut, Stover 1/2-20 SAE	80
26	85.B0078	Bushing, Bronze Bannerman	4
27	80.0333	Reel, Tine FT EB480	2
28	29.GF0001	Grease Ftg, 1/4 SAE ST	2

*as required

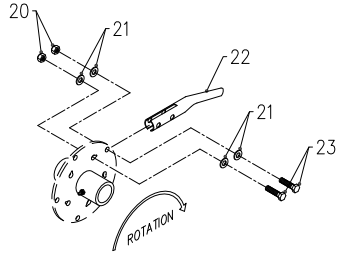
PARTS

ILLUSTRATED DRAWING Rotor Shaft, Reels, and Tine Kits (Serial # 1076-)



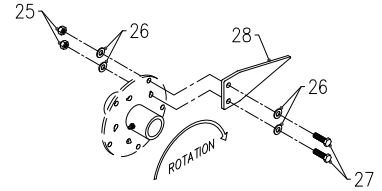
TEAR DROP HOLE SHOULD POINT IN THE DIRECTION OF ROTATION

3/4" CORE TINE KIT # 70.8070



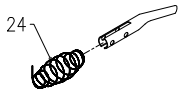
TEAR DROP HOLE SHOULD POINT IN THE DIRECTION OF ROTATION

3/4" OPEN SPOON TINE KIT # 70.8068

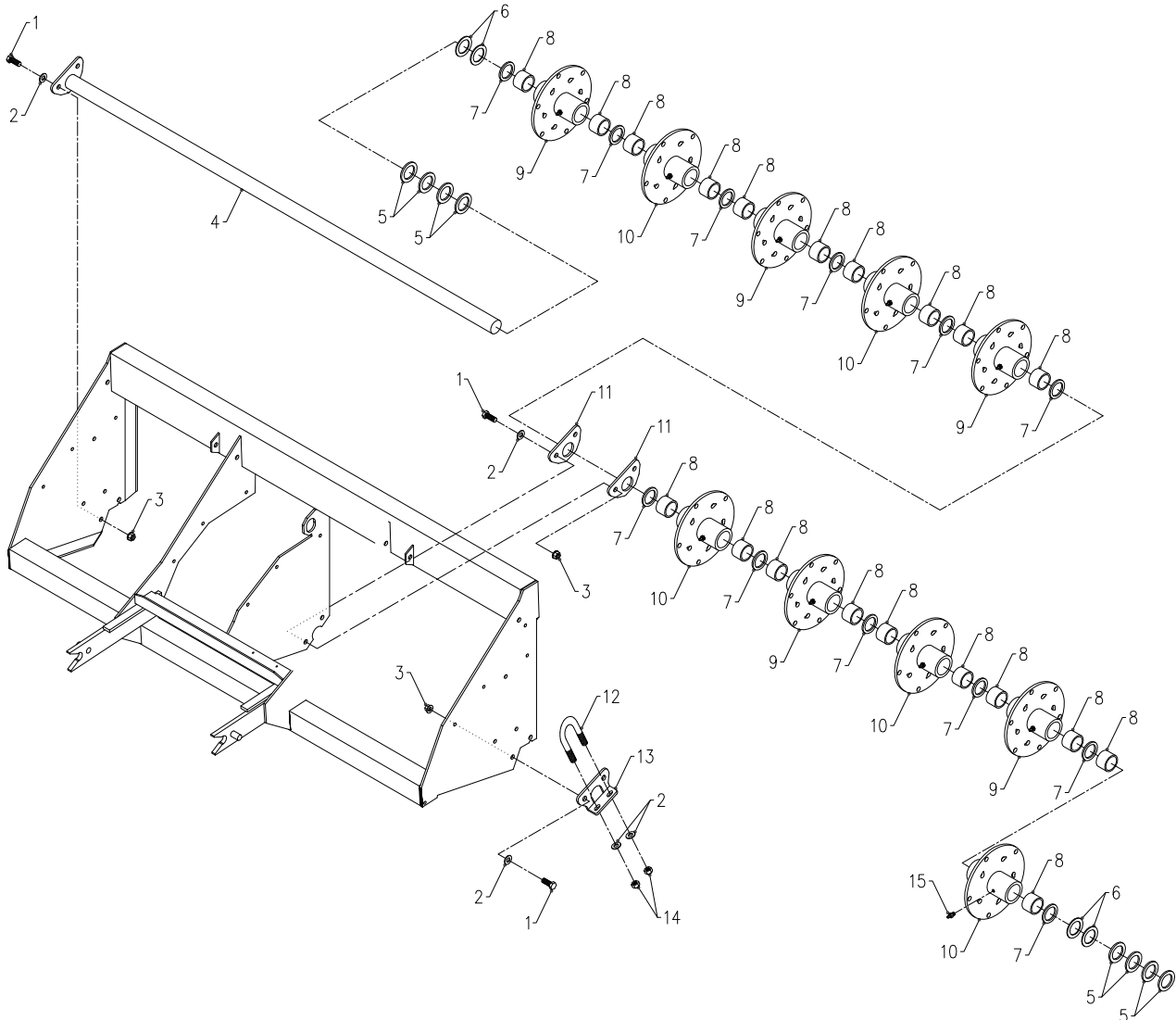


TEAR DROP HOLE SHOULD POINT IN THE OPPOSITE DIRECTION OF ROTATION

SLITTER/SLICER TINE KIT # 70.8069



OPTIONAL SPRING
KIT # 70.8071
FOR CORE TINE &
OPEN SPOON TINE



PARTS

Rotor Shaft, Reels, and Tine Kits (Serial # 1076-)

REF.	PART NO.	DESCRIPTION	QTY.
1	90.0608	.Bolt, 3/8-16 USS x 1	6
2	95.06	.Washer, Flat 3/8 SAE	8
3	99.SF06	.Nut, SRF 3/8-16 USS	6
4	80.0368	.Shaft, Rotor	1
5	99.B0024	.Washer, Mach 1 1/4 10GA	8*
6	99.B0078	.Washer, Mach 1 1/4 14 GA	6*
7	99.B0094	.Washer, Bronze Thrust	12
8	85.B0083	.Bushing, Bronze Sleeve	20
9	53.0123	.Hub, 6 Tine Rotor	5
10	53.0122	.Hub, 5 Tine Rotor	5
11	64.1281	.Plate, Rotor Shaft Mount	2
12	11.0064	.U-Bolt, 3/8-16 Pipe Size 3/4"	1
13	64.1282	.Clamp, Rotor Shaft	1
14	99.A06	.Locknut, Stover 3/8-16 USS	2
15	29.GF0001	.Grease Ftg, 1/4 SAE ST	10
16	99.A06	.Locknut, Stover 3/8-16 USS	110
17	95.06	.Washer, Flat 3/8 SAE	220
18	79.0069	.Tine, 3/4" Closed Spoon	55
19	90.0612	.Bolt, 3/8-16 USS x 1 1/2	110
20	99.A06	.Locknut, Stover 3/8-16 USS	110
21	95.06	.Washer, Flat 3/8 SAE	220
22	79.0078	.Tine, 3/4" Open Spoon	55
23	90.0612	.Bolt, 3/8-16 USS x 1 1/2	110
24	41.0082	.Spring, Coring Tine	55
25	99.A06	.Locknut, Stover 3/8-16 USS	110
26	95.06	.Washer, Flat 3/8 SAE	220
27	90.0610	.Bolt, 3/8-16 USS x 1 1/4	110
28	78.0061	.Tine, Slicing 1/4 x 7-1/4"	55

*as required