

Parts Manual

MK960

Wide Area Mower

Europe 



Revised 09/22/22
09.20037 Rev. 02



500 Venture Drive
Orrville Oh 44667
www.ventrac.com

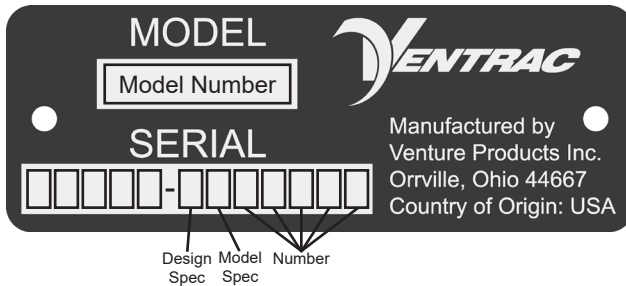
[View all manuals](#)



Visit ventrac.com/manuals for the latest version of this parts manual.

A downloadable operator's manual is also available.

Serial Number Description



Notes

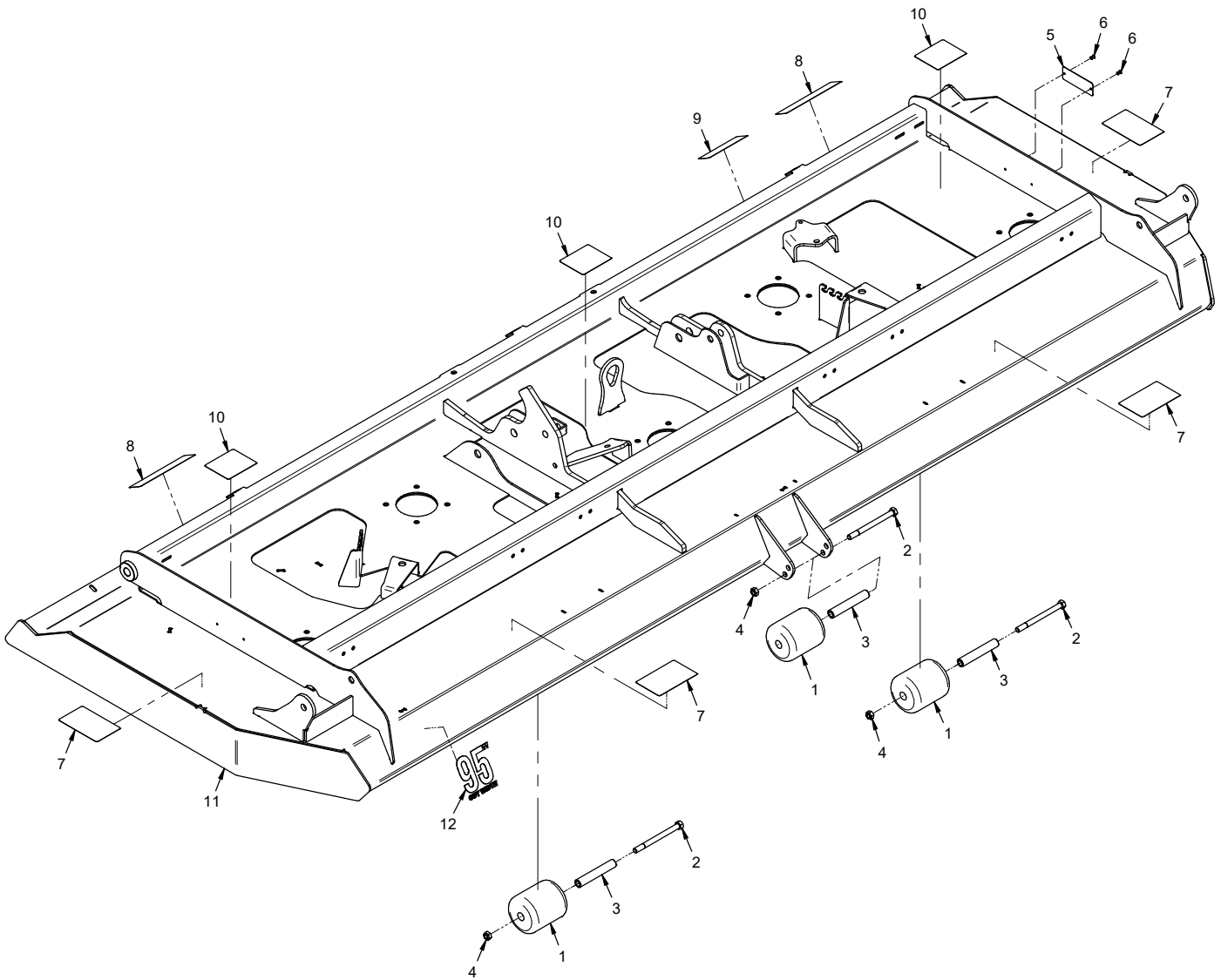
- If any component requires replacement, use only original Ventrac replacement parts.
- When ordering new components, be sure to order all required safety decals. All current safety decals must be affixed to the replacement components prior to installation of the component.

TABLE OF CONTENTS

PARTS	PAGE 4
Main Frame & Front Anti-Scalp Rollers.....	4
Carrier Frames & Wheels.....	6
Wheel Components.....	8
Right Carrier Rockers & Link.....	10
Left Carrier Rockers & Link.....	12
Rear Roller.....	14
Rear Discharge Belting & End Guards.....	16
Hitch Arms.....	18
Drive Shaft & Attachment Belt.....	20
Main Deck Belt, Pulleys, & Belt Tensioner.....	22
Single Spindle Belts, Pulleys, & Tensioners.....	24
Spindles & Blades.....	26
Top Deck Covers.....	28
70.8203 Hydraulic Flip Up Kit.....	30

PARTS

ILLUSTRATED DRAWING Main Frame & Front Anti-Scalp Rollers



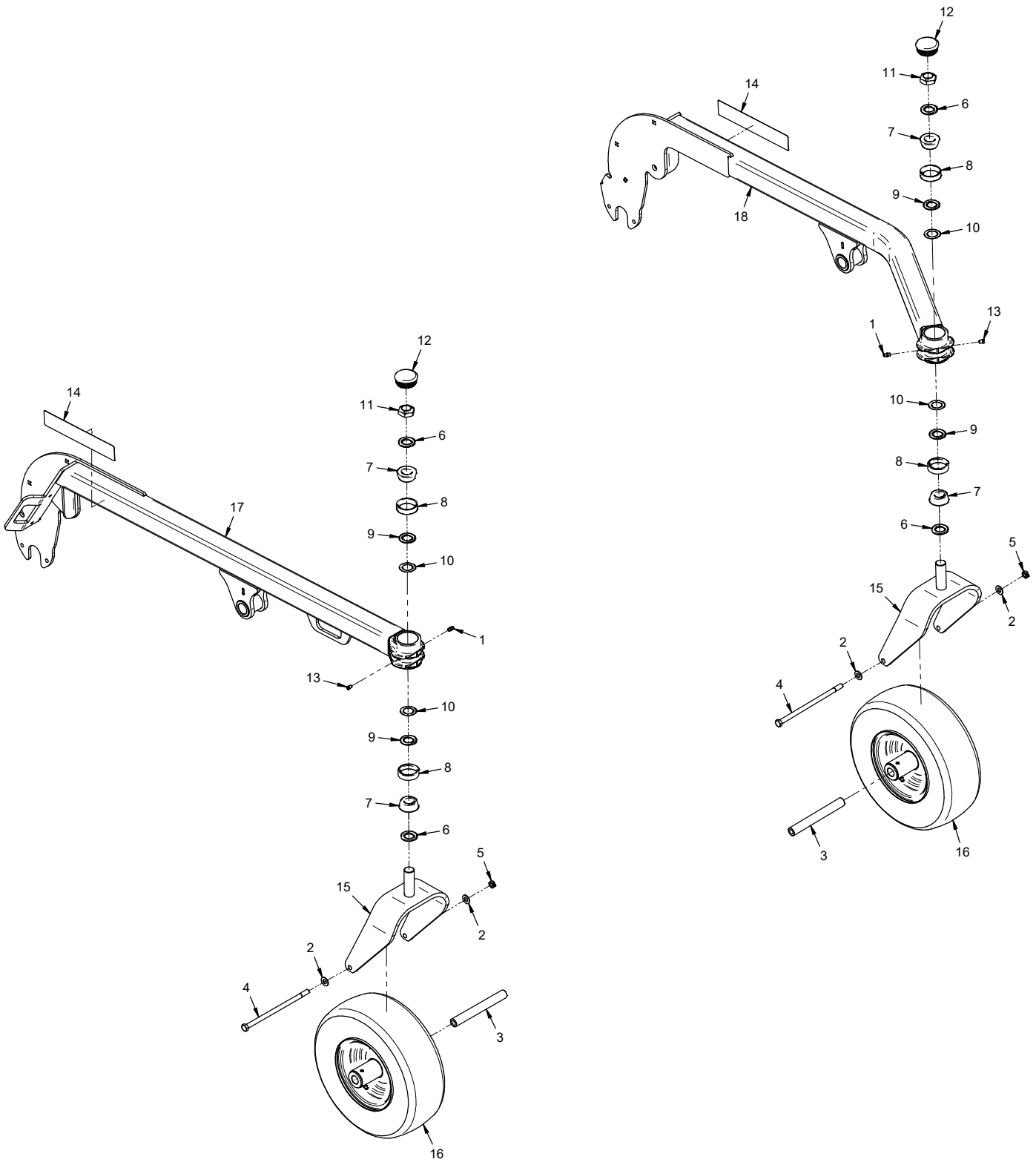
PARTS

Main Frame & Front Anti-Scalp Rollers

REF.	PART NO.	DESCRIPTION	QTY.
1	50.0047	.Roller, Front 3" Dia X 3-1/2"	3
2	90.0636	.Bolt, 3/8-16 USS x 4-1/2	3
3	50.0046	.Tube, Axle Front Roller	3
4	99.A06	.Locknut, Stover 3/8-16 USS	3
5	N/A	.Plate, Ventrac Serial Number	1
6	04.0029	.Rivet, Pop 1/8" X 1/4" SS	2
7	00.0123	.Decal, Keep Hands & Feet Clear (Serial # 01001-01460)	4
7	00.0628	.Decal, Cutting Hazard Mower Blade (Serial # 01461-)	4
8	00.0265	.Decal, Thrown Object Hazard (Serial # 01001-01460)	2
8	00.0633	.Decal, Thrown Object Hazard (Serial # 01461-)	2
9	00.0594	.Decal, Danger Pinching Hazard (Serial # 01001-01460)	1
9	00.0620	.Decal, Pinching or Crushing Hazard (Serial # 01461-)	1
10	00.0492	.Decal, Shield Missing (Serial # 01001-01460)	3
10	00.0625	.Decal, Shield Missing (Serial # 01461-)	3
11	MK-6001	.Frame, Deck Weldment MK960	1
12	00.0610	.Decal, 95" Cut Width	1

PARTS

ILLUSTRATED DRAWING Carrier Frames & Wheels



PARTS

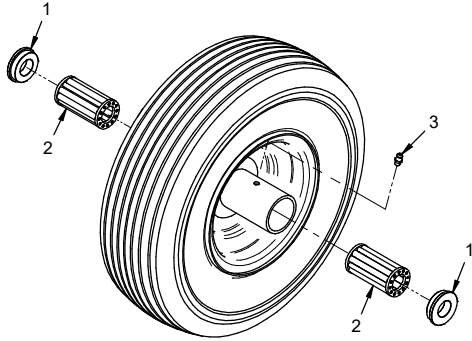
Carrier Frames & Wheels

REF.	PART NO.	DESCRIPTION	QTY.
1	29.GF0001	.Grease Ftg, 1/4 SAE ST.	2
2	95.06	.Washer, Flat 3/8 SAE	4
3	50.0050	.Tube, Swivel Axle	2
4	90.0660	.Bolt, 3/8-16 USS x 7-1/2.	2
5	99.A06C	.Locknut, Center 3/8-16.	2
6	99.B0119	.Washer, Mach 7/8 x 1-3/8 x 10 GA.	4
7	55.LM12749LA2	.Bearing, Taper Roller Cone	4
8	55.LM12710	.Bearing, Cup.	4
9	85.B0099	.Bushing, .875ID x 1.375OD x .120T.	4
10	85.B0101	.Bushing, .005 Spacer	4
11	99.M0047	.Locknut, Stover M22 X 1.5 ZP	2
12	05.0172	.Plug, Ribbed Black LDPE.	2
13	29.GF0011	.Grease Ftg, Plug 1/4-28	2
14	00.0577	.Decal, Cut Height Position Key	2
15	50.0195	.Yoke, Caster 13" Wheel	2
16	53.0155	.Wheel, Asm 13 x 5 x 6 Caster (Serial # 01001-01676)	2
16	53.0148	.Wheel, Asm 13x5x6 Rib Flatfree (Optional - white rim)	2
16	53.0216	.Wheel, Asm 13 x 5 x 6 Caster (Serial # 01677-01712)	2
16	53.0213	.Wheel, Asm 13 x 5 x 6 Caster (Serial # 01713-)	2
16	53.0214	.Wheel, Asm 13x5x6 Flatfree (Optional - black rim)	2
17	MK-6002	.Frame, Carrier Right.	1
18	MK-6003	.Frame, Carrier Left.	1

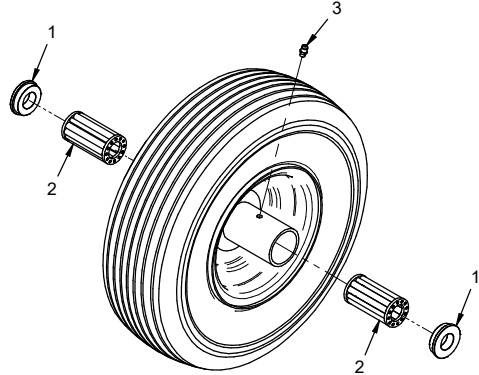
PARTS

ILLUSTRATED DRAWING Wheel Components

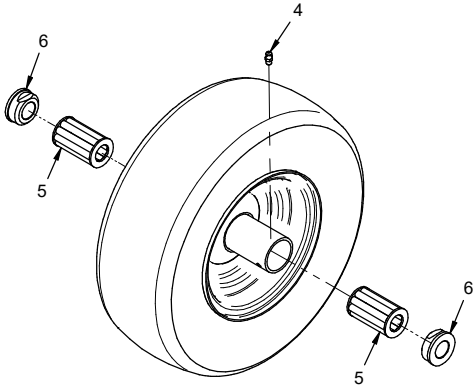
53.0155 - Standard White Rim (Serial # 01001-01676)



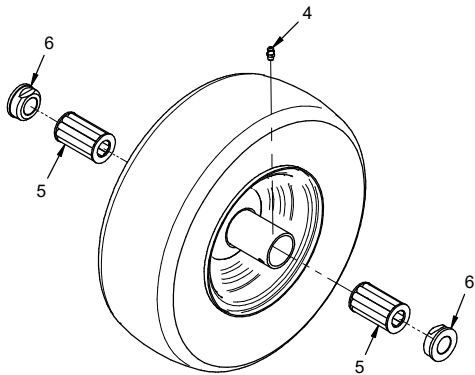
53.0148 - Optional Flatfree White Rim



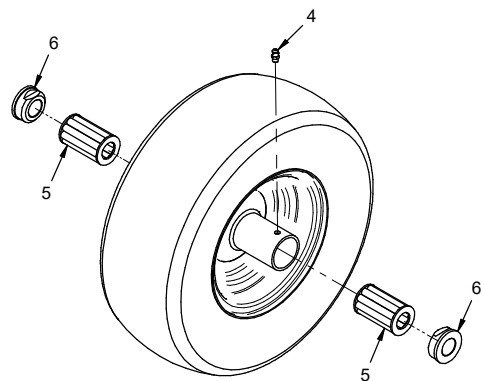
53.0216 - Standard White Rim (Serial # 01677-01712)



53.0213 - Standard Black Rim (Serial # 01713-)



53.0214 - Optional Flatfree Black Rim



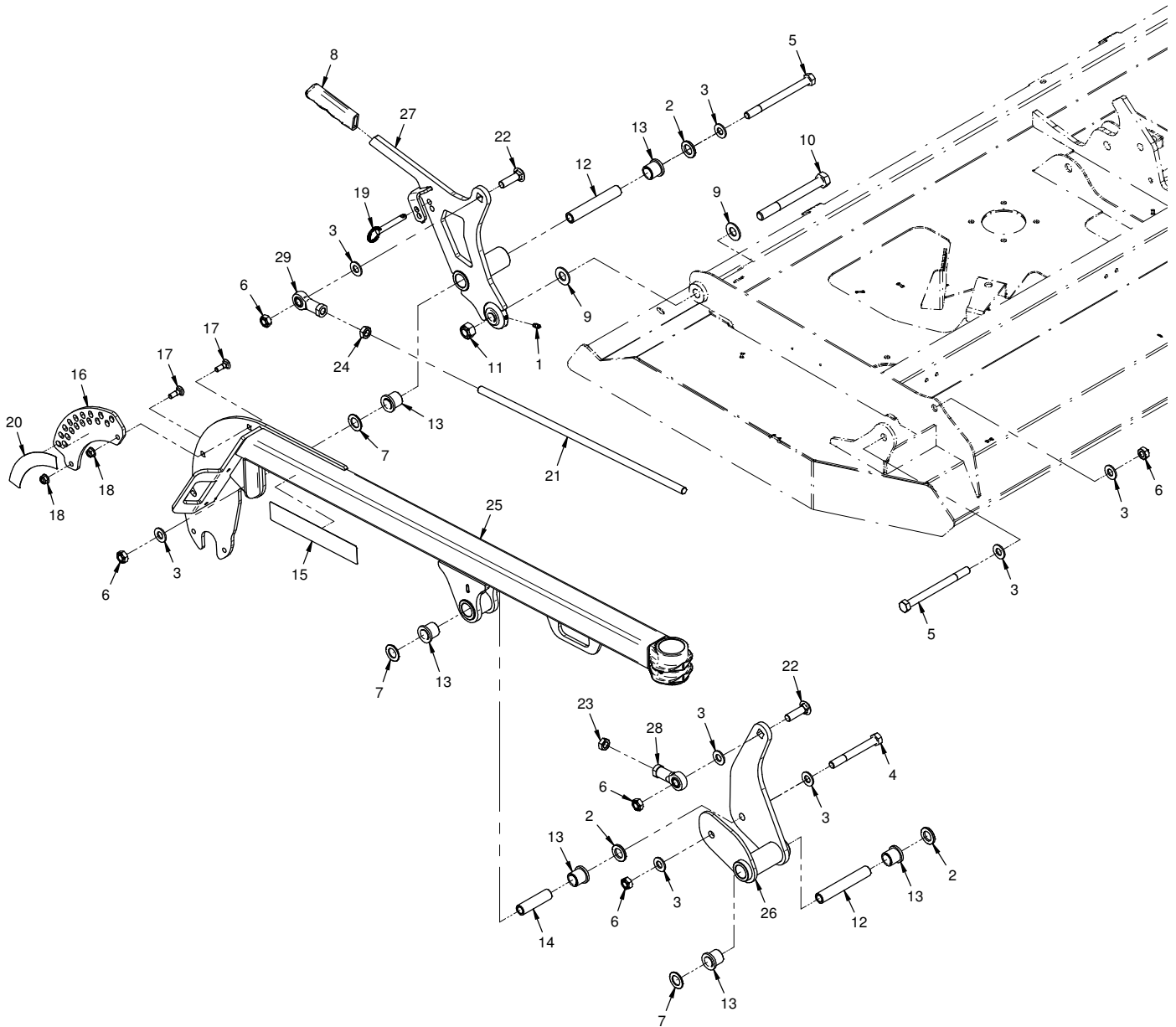
PARTS

Wheel Components

REF.	PART NO.	DESCRIPTION	QTY.
1	55.0072	Bearing, Retainer 3/4"	2
2	55.0088	Bearing, Roller Replacement	2
3	29.GF0001	Grease Ftg, 1/4 SAE ST.	1
4	29.GF0001	Grease Ftg, 1/4 SAE ST.	1
5	55.0116	Bearing, Roller 2.25" Long	2
6	55.0114	Retainer, Roller Bearing 3/4"	2

PARTS

ILLUSTRATED DRAWING Right Carrier Rockers & Link



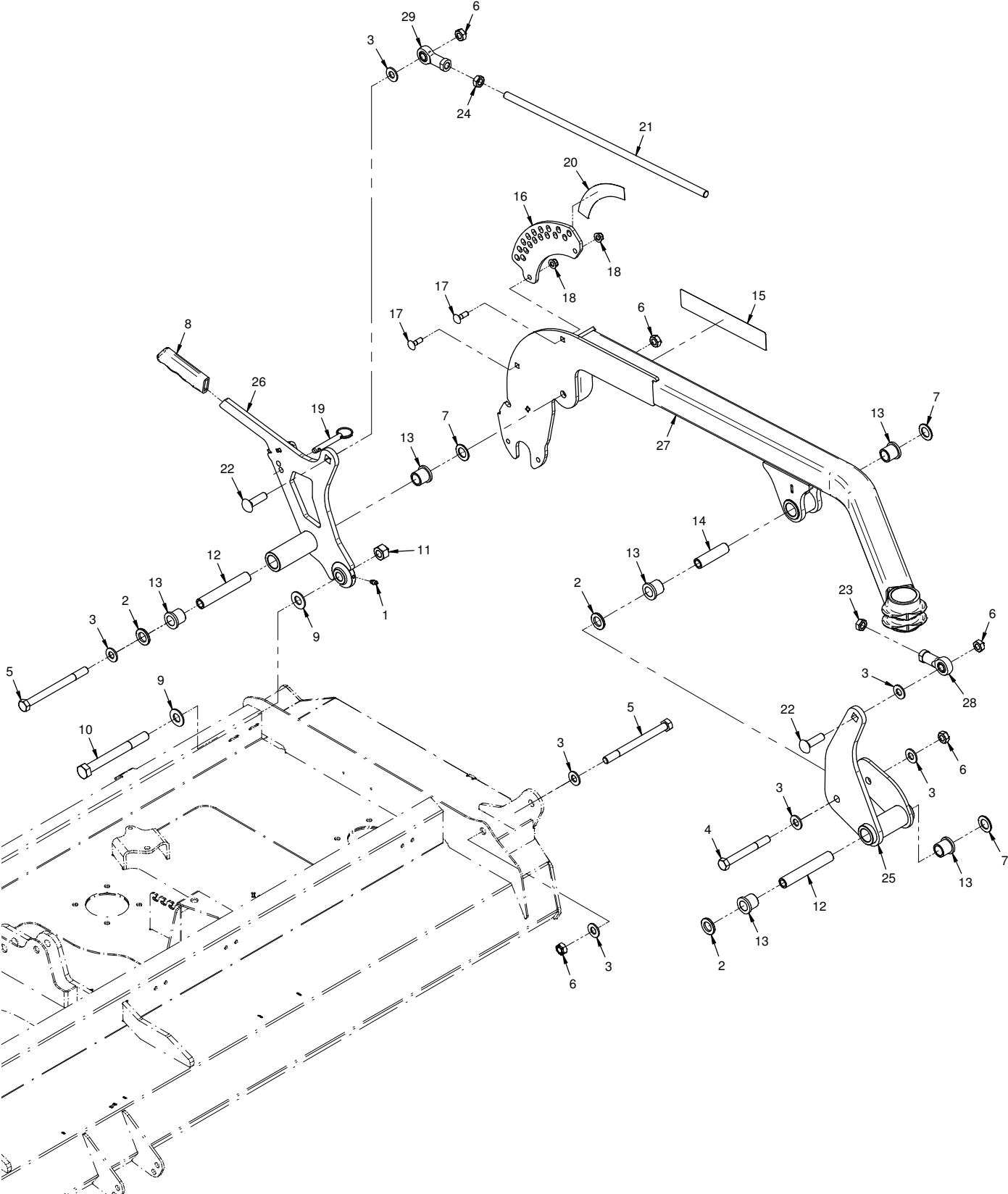
PARTS

Right Carrier Rockers & Link

REF.	PART NO.	DESCRIPTION	QTY.
1	29.GF0001	.Grease Ftg, 1/4 SAE ST.	1
2	99.B0057-2	.Washer, Mach 3/4 x 1-1/4 10 GA ZP	3
3	95.08	.Washer, Flat 1/2 SAE	8
4	90.0834	.Bolt, 1/2-13 USS x 4-1/4	1
5	90.0848	.Bolt, 1/2-13 USS x 6	2
6	99.A08	.Locknut, Stover 1/2-13 USS	5
7	99.B0089	.Washer, Mach 3/4 x 1-1/4 14 GA	3
8	47.0476	.Grip, Handle Black Vinyl	1
9	95.10	.Washer, Flat 5/8 SAE	2
10	90.1048	.Bolt, 5/8-11 USS x 6	1
11	99.A10	.Locknut, Stover 5/8-11 USS	1
12	MK-1150	.Bushing, Pivot Clamp	2
13	85.B0077	.Bushing, 3/4 ID X 1 OD X 1	6
14	MK-1146	.Bushing, Rocker Pivot	1
15	00.0577	.Decal, Cut Height Position Key	1
16	MK-1152	.Plate, Height Adjust	1
17	97.0508	.Bolt, Carriage 5/16-18 x 1	2
18	99.E0102	.Nut, Locking Flange 5/16-18	2
19	03.0002	.Pin, Ball 3/8 x 2" W/ Ring Grip	1
20	00.0576	.Decal, Height Adjust Right	1
21	42.0601	.Rod, Thread 1/2-20 x 20.0 RH/LH ZP	1
22	97.0814	.Bolt, Carriage 1/2-13 x 1-3/4	2
23	99.E0079	.Nut, Jam 1/2-20 RH ZP	1
24	99.E0080	.Nut, Jam 1/2-20 LH ZP	1
25	MK-6002	.Frame, Carrier Right	1
26	MK-6023	.Rocker, Right Front	1
27	MK-6029	.Rocker, Right Rear	1
28	43.008	.Rod End, 1/2 Spherical	1
29	43.008L	.Rod End, 1/2 Spherical LH Thrd	1

PARTS

ILLUSTRATED DRAWING Left Carrier Rockers & Link



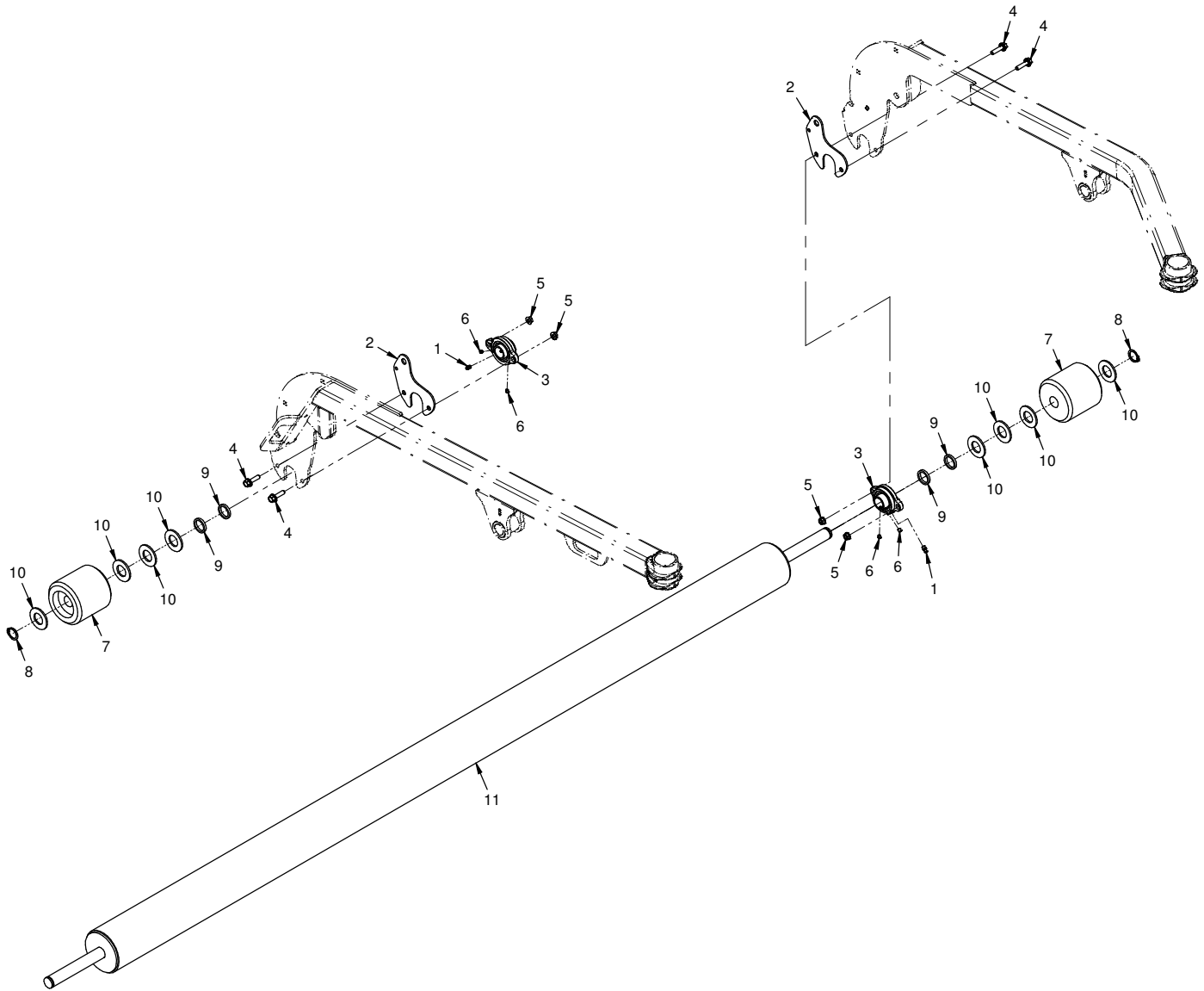
PARTS

Left Carrier Rockers & Link

REF.	PART NO.	DESCRIPTION	QTY.
1	29.GF0001	.Grease Ftg, 1/4 SAE ST.	1
2	99.B0057-2	.Washer, Mach 3/4 x 1-1/4 10 GA ZP	3
3	95.08	.Washer, Flat 1/2 SAE	7
4	90.0834	.Bolt, 1/2-13 USS x 4-1/4	1
5	90.0848	.Bolt, 1/2-13 USS x 6	2
6	99.A08	.Locknut, Stover 1/2-13 USS	5
7	99.B0089	.Washer, Mach 3/4 x 1-1/4 14 GA	3
8	47.0476	.Grip, Handle Black Vinyl	1
9	95.10	.Washer, Flat 5/8 SAE	2
10	90.1048	.Bolt, 5/8-11 USS x 6	1
11	99.A10	.Locknut, Stover 5/8-11 USS	1
12	MK-1150	.Bushing, Pivot Clamp	2
13	85.B0077	.Bushing, 3/4 ID X 1 OD X 1	6
14	MK-1146	.Bushing, Rocker Pivot	1
15	00.0577	.Decal, Cut Height Position Key	1
16	MK-1152	.Plate, Height Adjust	1
17	97.0508	.Bolt, Carriage 5/16-18 x 1	2
18	99.E0102	.Nut, Locking Flange 5/16-18	2
19	03.0002	.Pin, Ball 3/8 x 2" W/ Ring Grip	1
20	00.0575	.Decal, Height Adjust Left	1
21	42.0601	.Rod, Thread 1/2-20 x 20.0 RH/LH ZP	1
22	97.0814	.Bolt, Carriage 1/2-13 x 1-3/4	2
23	99.E0079	.Nut, Jam 1/2-20 RH ZP	1
24	99.E0080	.Nut, Jam 1/2-20 LH ZP	1
25	MK-6026	.Rocker, Left Front	1
26	MK-6031	.Rocker, Left Rear	1
27	MK-6003	.Frame, Carrier Left	1
28	43.008	.Rod End, 1/2 Spherical	1
29	43.008L	.Rod End, 1/2 Spherical LH Thrd	1

PARTS

ILLUSTRATED DRAWING Rear Roller



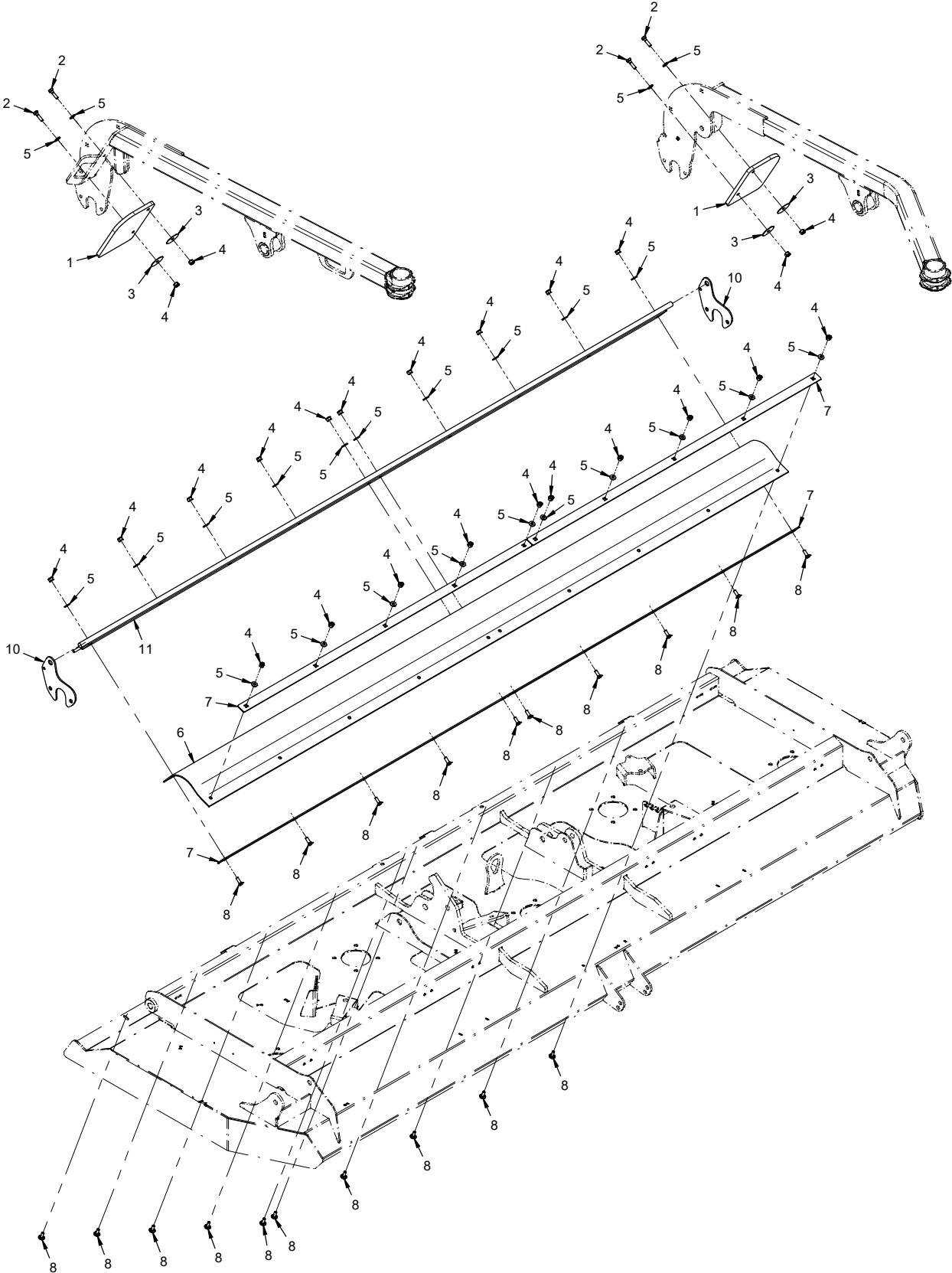
PARTS

Rear Roller

REF.	PART NO.	DESCRIPTION	QTY.
1	29.GF0001	.Grease Ftg, 1/4 SAE ST.	2
2	MK-1273	.Plate, Rear Chute Bar Mounting.	2
3	55.FB16016-2	.Bearing, 2 Bolt Flange 1"	2
4	99.SF0510	.Bolt, SRF 5/16-18 USS X 1-1/4	4
5	99.SF05	.Nut, SRF 5/16-18 USS	4
6	85.SS14	.Set Screw, 1/4-28 x 1/4	4
7	50.0044	.Roller, End 4" Dia X 4" Long	2
8	04.0025	.Snap Ring, Ext.1 Shft .078 Thk	2
9	64.1930	.Spacer, Rear Roller End	4
10	95.16	.Washer, Flat 1 SAE	8
11	MK-6007	.Roller, Rear MK960	1

PARTS

ILLUSTRATED DRAWING Rear Discharge Belting & End Guards



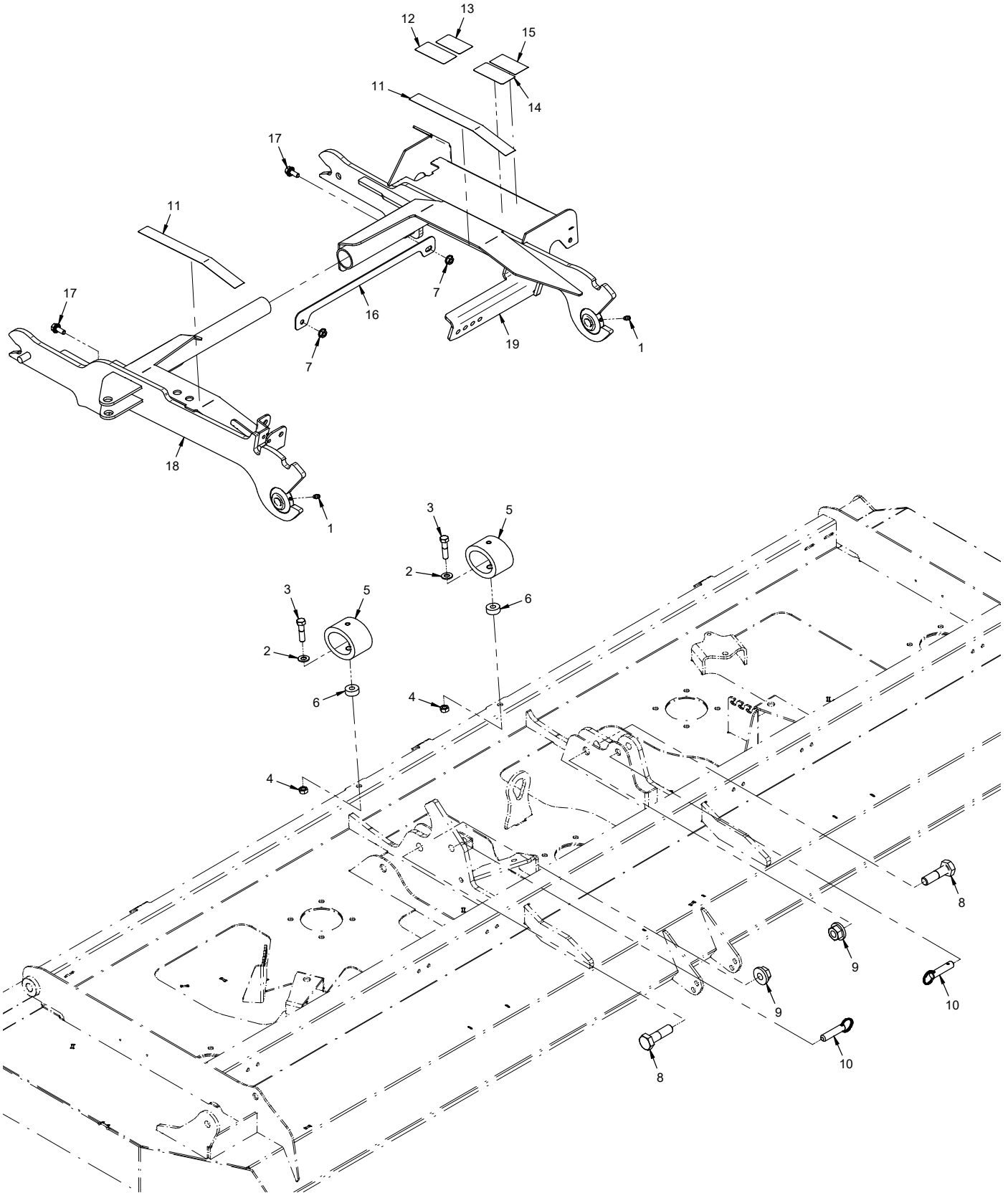
PARTS

Rear Discharge Belting & End Guards

REF.	PART NO.	DESCRIPTION	QTY.
1	44.0388	.Belting, Side Guard	2
2	90.0408	.Bolt, 1/4-20 USS x 1	4
3	99.B0115	.Washer, Fender 1/4 x 1-1/2	4
4	99.A04N	.Locknut, Nylon 1/4-20	24
5	95.04	.Washer, Flat 1/4 SAE	24
6	44.0409	.Belting, Discharge Shield	1
7	MK-1299	.Plate, Chute Clamp	4
8	97.0406	.Bolt, Carriage 1/4-20 x 3/4	20
10	MK-1273	.Plate, Rear Chute Bar Mounting	2
11	MK-6016	.Mount, Rear Chute	1

PARTS

ILLUSTRATED DRAWING Hitch Arms



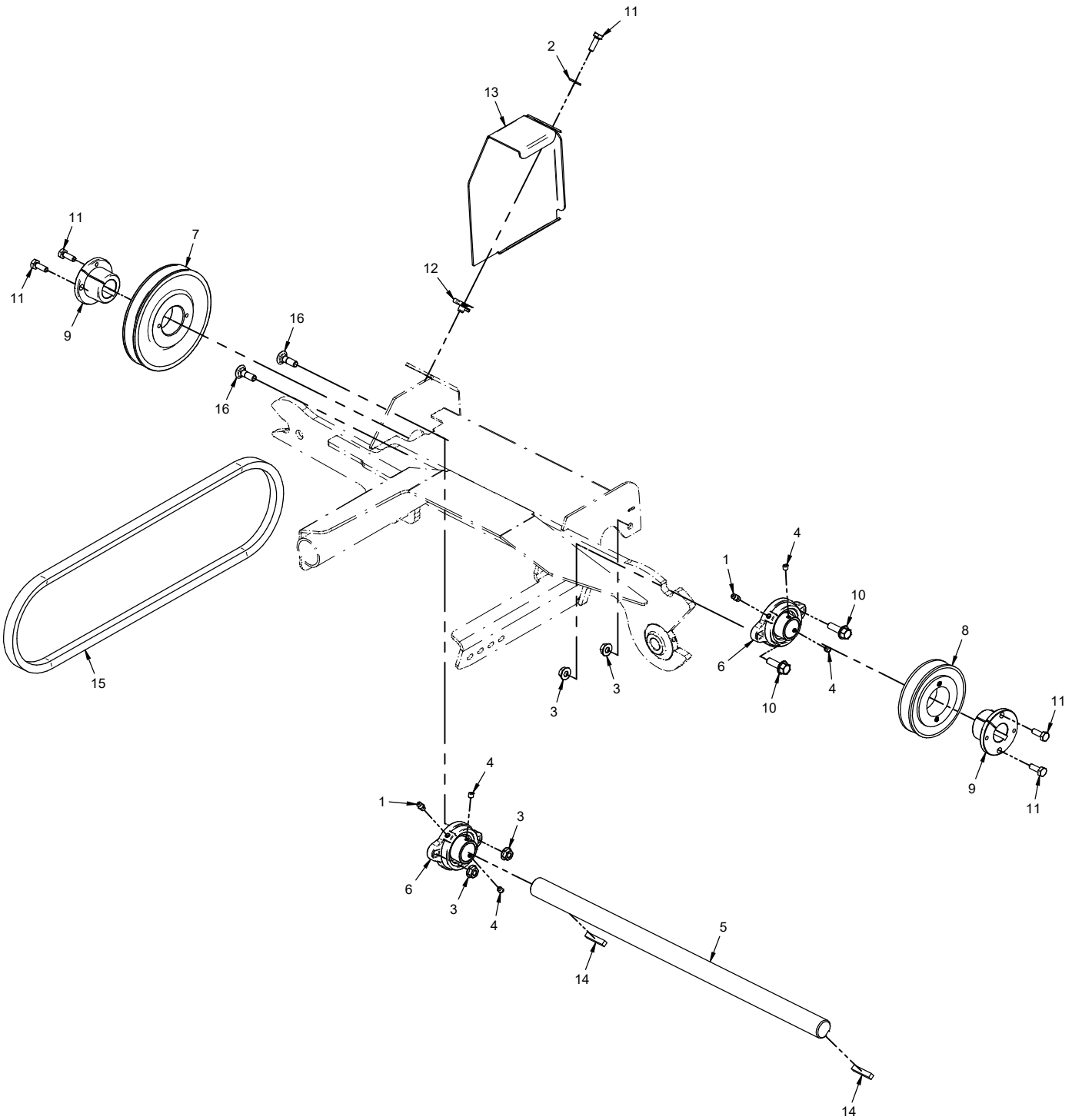
PARTS

Hitch Arms

REF.	PART NO.	DESCRIPTION	QTY.
1	29.GF0001	.Grease Ftg, 1/4 SAE ST.	2
2	95.06	.Washer, Flat 3/8 SAE	2
3	90.0612	.Bolt, 3/8-16 USS x 1-1/2	2
4	99.A06	.Locknut, Stover 3/8-16 USS	2
5	05.0169	.Bumper, Elastomer 1300 Lbs PF	2
6	64.1821	.Spacer, 3/8 ID x 1" OD x 3/8T	2
7	99.SF05	.Nut, SRF 5/16-18 USS	2
8	99.K0111	.Bolt, 5/8-11 X 2-1/4 Grd A325	2
9	99.E0094	.Locknut, 5/8-11 Flanged Stover	2
10	03.0039	.Pin, Ball 1/2 x 1.4 Usable Length	2
11	00.0427	.Decal, Wear Resistant	2
12	00.0220	.Decal, General Safety (Serial # 01001-01460)	1
12	00.0632	.Decal, Moving Parts Hazard (Serial # 01461-)	1
13	00.0216	.Decal, Warning Moving Parts (Serial # 01001-01460)	1
13	00.0631	.Decal, Finger/Hand Entanglement (Serial # 01461-)	1
14	00.0217	.Decal, Warning Read Owners Man (Serial # 01001-01460)	1
14	00.0619	.Decal, Read Operator's Manual (Serial # 01461-)	1
15	00.0219	.Decal, Warning Do Not Reach (Serial # 01001-01460)	1
16	64.1934	.Brace, Hitch Arm Spacing	1
17	99.SF0506	.Bolt, SRF 5/16-18 USS X 3/4	2
18	MK-6020	.Hitch, Arm Right MK960	1
19	MK-6022	.Hitch, Arm Left MK960	1

PARTS

ILLUSTRATED DRAWING Drive Shaft & Attachment Belt



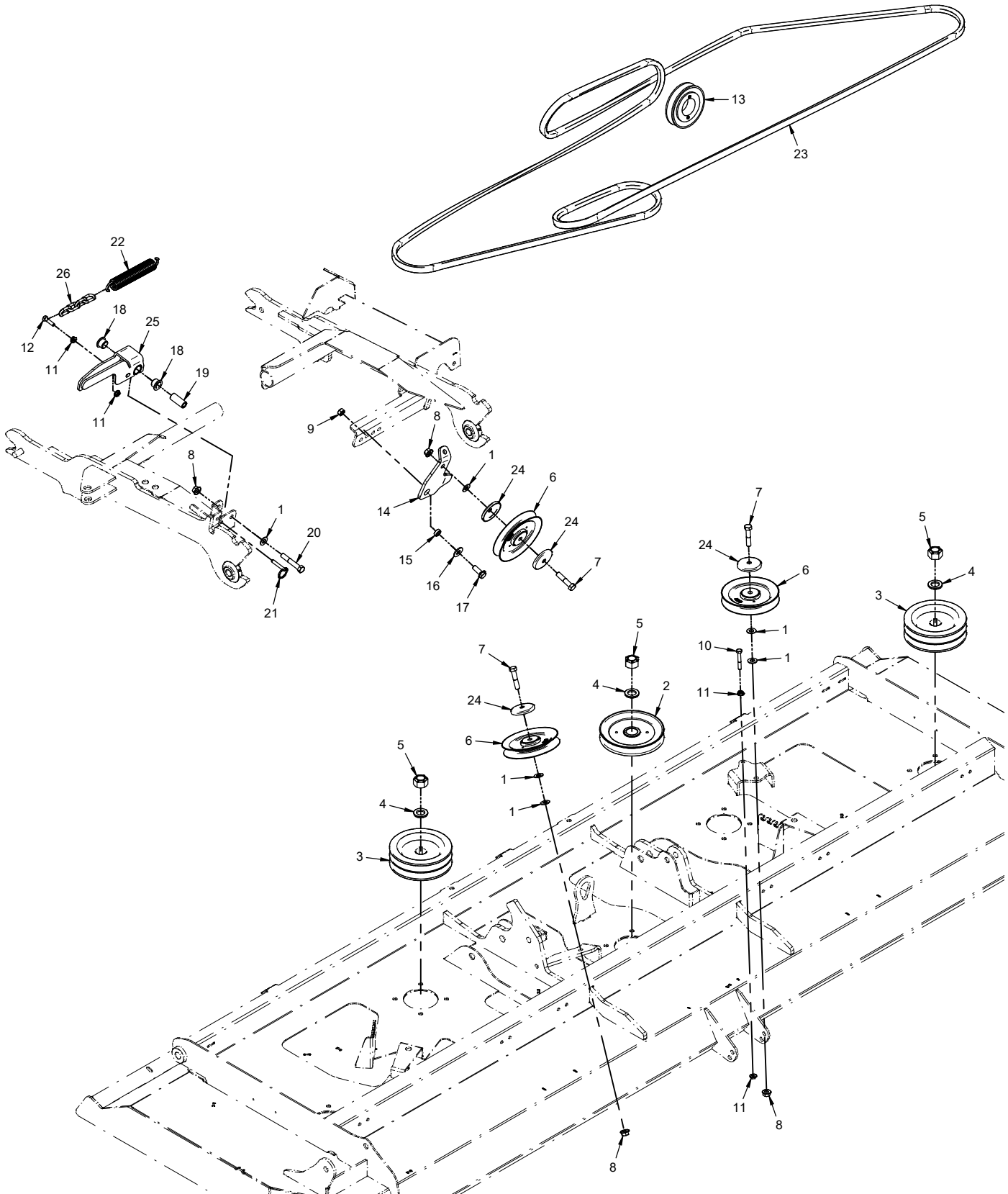
PARTS

Drive Shaft & Attachment Belt

REF.	PART NO.	DESCRIPTION	QTY.
1	29.GF0001	.Grease Ftg, 1/4 SAE ST.	2
2	95.04	.Washer, Flat 1/4 SAE	1
3	99.SF05	.Nut, SRF 5/16-18 USS	4
4	85.SS14	.Set Screw, 1/4-28 x 1/4	4
5	80.0394	.Shaft, Hitch Arm	1
6	55.FB16016-1	.Bearing, Flange Block 1"	2
7	83.BK55H	.Pulley, 5.5" H-Bushing	1
8	83.BK40H	.Pulley, 4" H-Bushing	1
9	83.H16S	.Bushing, 1" Split 1/4" Key	2
10	99.SF0508	.Bolt, SRF 5/16-18 USS X 1	2
11	90.0406	.Bolt, 1/4-20 USS x 3/4"	5
12	99.E0046	.Nut, "U" 1/4-20 Extruded	1
13	60.0665	.Shield, Drive Pulley	1
14	85.K0410	.Key, 1/4 X 1-1/4	2
15	81.B045	.Belt, B45	1
16	99.SF0508	.Bolt, SRF 5/16-18 USS X 1 (Serial # 01001-01496)	2
16	97.0509	.Bolt, Carriage 5/16-18 x 1 (Serial # 01497-)	2

PARTS

ILLUSTRATED DRAWING Main Deck Belt, Pulleys, & Belt Tensioner



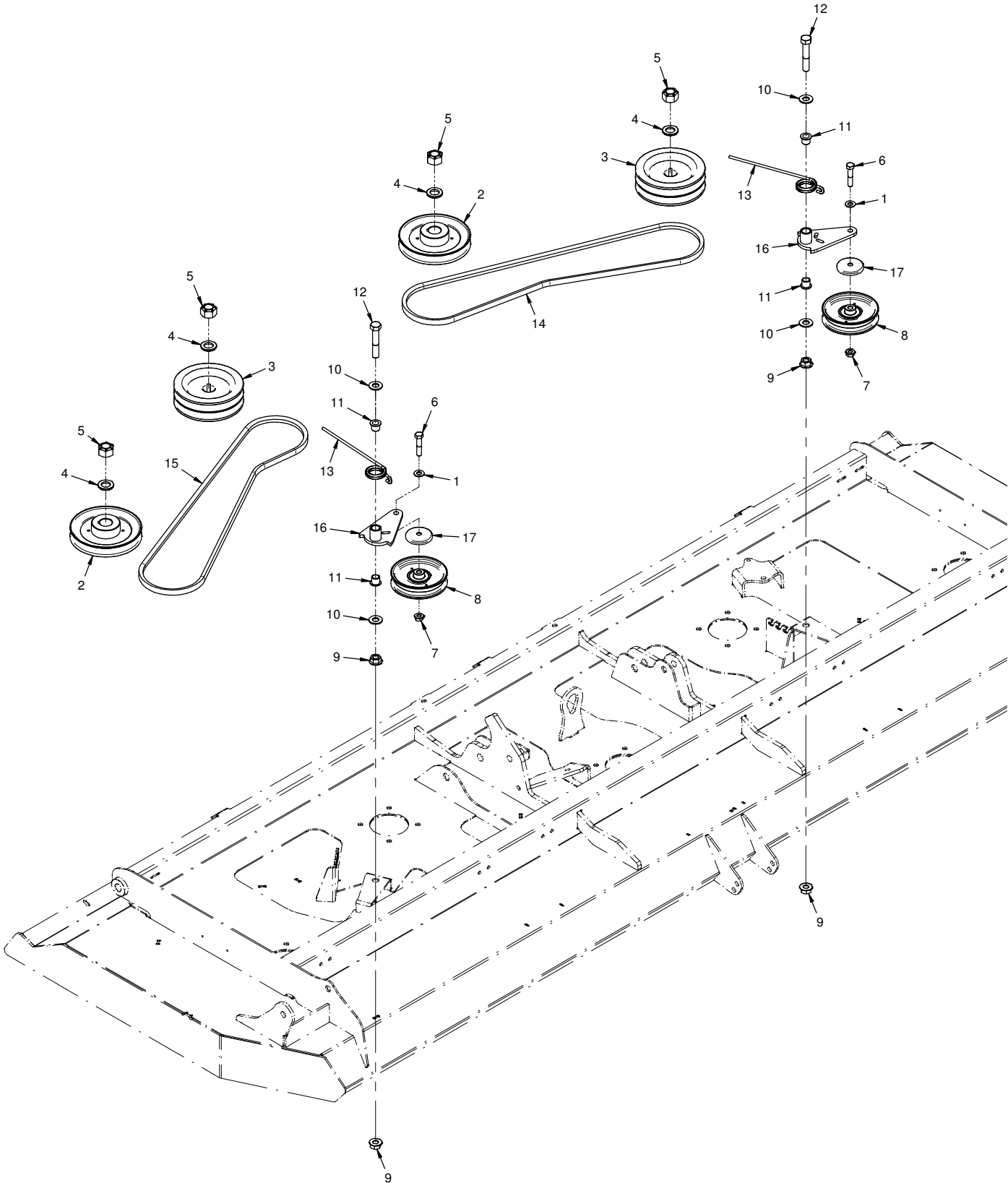
PARTS

Main Deck Belt, Pulleys, & Belt Tensioner

REF.	PART NO.	DESCRIPTION	QTY.
1	95.06	.Washer, Flat 3/8 SAE	6
2	83.0075	.Pulley, 5.64 OD, 25MM Str. Bore	1
3	83.2BK5725	.Pulley, 5.7" 2 Groove, 25mm Bore, 1/4" Keyway	2
4	99.B0057-2	.Washer, Mach 3/4 x 1-1/4 10 GA ZP	3
5	99.A12NF	.Locknut, Stover 3/4-16 SAE	3
6	83.0031	.Pulley, V-Idler 5-1/4 X 3/8 ID	3
7	90.0614	.Bolt, 3/8-16 USS x 1-3/4	3
8	99.SF06	.Nut, SRF 3/8-16 USS	4
9	99.A06	.Locknut, Stover 3/8-16 USS	1
10	90.0414	.Bolt, 1/4-20 USS x 1-3/4	1
11	99.SF04	.Nut, SRF 1/4-20 USS	4
12	90.0408	.Bolt, 1/4-20 USS x 1	1
13	83.BK40H	.Pulley, 4" H-Bushing	1
14	40.0399	.Idler Arm, Belt Tension	1
15	64.0602	.Bushing, 3/8 x 5/8 x .265	1
16	94.06	.Washer, Flat 3/8 USS	1
17	99.SF0608	.Bolt, SRF 3/8-16 USS x 1	1
18	85.B0088	.Bushing, 5/8 ID X 3/4 OD X 1/2	2
19	64.1936	.Bushing, Belt Tension Pivot	1
20	90.0618	.Bolt, 3/8-16 USS x 2-1/4	1
21	03.0022	.Pin, Ball 1/4" x 1"	1
22	41.0048	.Spring, Ext. 1 Od X 6	1
23	81.0180	.Belt, B190 Custom	1
24	60.1056	.Cover, Pulley	4
25	MK-6019	.Handle, Belt Tensioner	1
26	81.0160	.Chain, 1/8 Plated x 4 Links	1

PARTS

ILLUSTRATED DRAWING Single Spindle Belts, Pulleys, & Tensioners



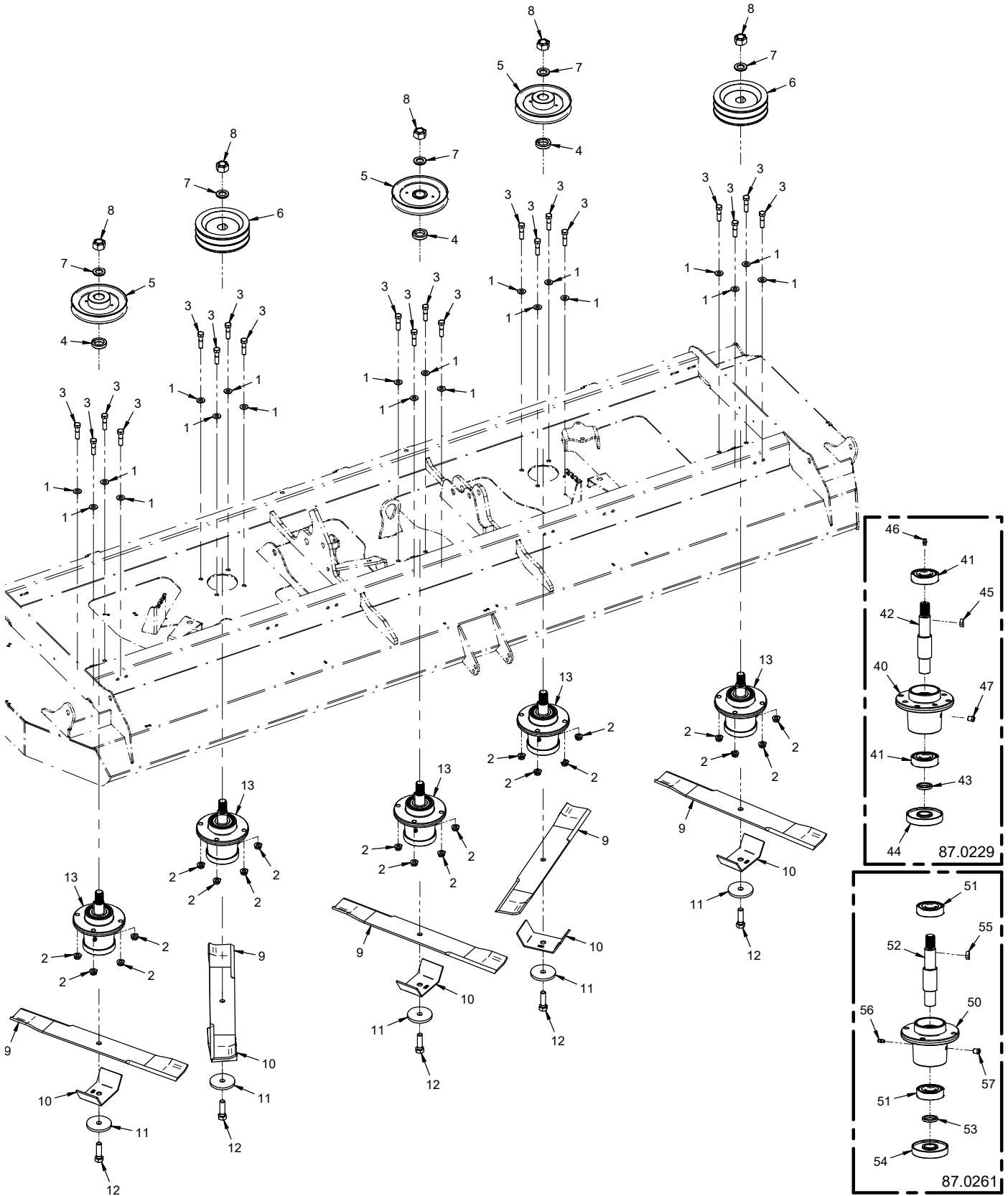
PARTS

Single Spindle Belts, Pulleys, & Tensioners

REF.	PART NO.	DESCRIPTION	QTY.
1	95.06	.Washer, Flat 3/8 SAE	2
2	83.0075	.Pulley, 5.64 OD, 25MM Str. Bore	2
3	83.2BK5725	.Pulley, 5.7" 2 Groove, 25mm Bore, 1/4" Keyway	2
4	99.B0057-2	.Washer, Mach 3/4 x 1-1/4 10 GA ZP	4
5	99.A12NF	.Locknut, Stover 3/4-16 SAE	4
6	90.0614	.Bolt, 3/8-16 USS x 1-3/4	2
7	99.SF06	.Nut, SRF 3/8-16 USS	2
8	83.0037	.Pulley, Idler Flat 4" X 3/8	2
9	99.SF08	.Nut, SRF 1/2-13 USS	4
10	95.08	.Washer, Flat 1/2 SAE	4
11	85.B0027	.Bushing, 1/2 ID X 5/8 OD X 5/8	4
12	90.0822	.Bolt, 1/2-13 USS x 2-3/4	2
13	41.0083	.Spring, Torsion Rh 1-3/16 ldx7	2
14	81.A055	.Belt, A55	1
15	81.A055	.Belt, A55	1
16	MK-6010	.Arm, Spindle Tension Idler	2
17	60.1056	.Cover, Pulley	2

PARTS

ILLUSTRATED DRAWING Spindles & Blades



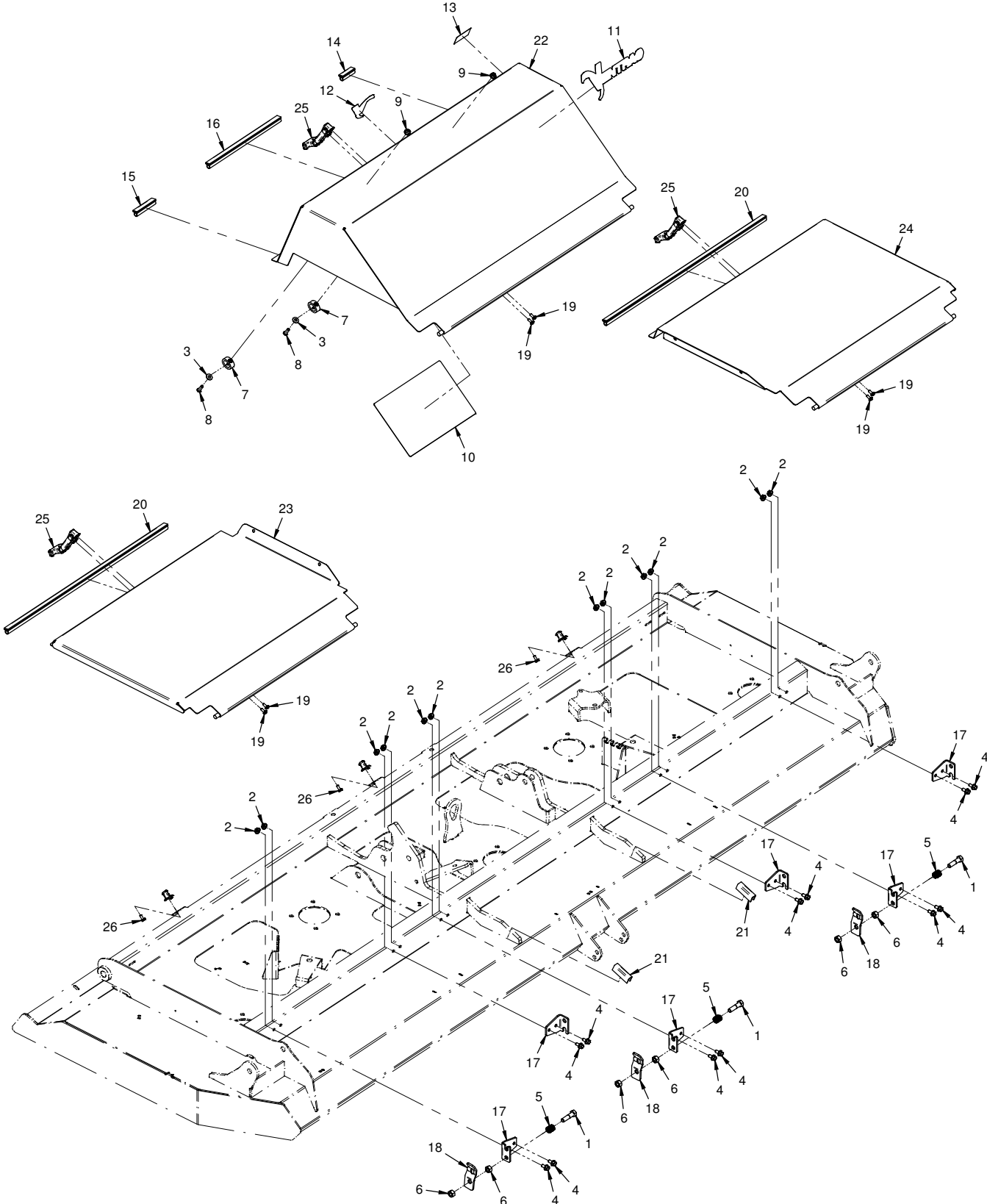
PARTS

Spindles & Blades

REF.	PART NO.	DESCRIPTION	QTY.
1	95.06	Washer, Flat 3/8 SAE	20
2	99.E0082	Nut, Locking Flange 3/8-16	20
3	90.0612	Bolt, 3/8-16 USS x 1-1/2	20
4	85.B0080	Bushing, 1-1/2 OD, 1 ID	3
5	83.0075	Pulley, 5.64 OD, 25MM Str. Bore	3
6	83.2BK5725	Pulley, 5.7" 2 Groove, 25mm Bore, 1/4" Keyway	2
7	99.B0057-2	Washer, Mach 3/4 x 1-1/4 10 GA ZP	5
8	99.A12NF	Locknut, Stover 3/4-16 SAE	5
9	79.0119	Blade, 20.00x1/2 RH S Lowlift	5
10	64.2002	Guard, Spindle/Anti-String	5
11	99.B0091	Washer, .510 ID X 2-1/2 OD 1/4	5
12	91.0814-8	Bolt, 1/2-20 x 1-3/4 GR8	5
13	87.0229	Spindle, Asm RH 25MM AL (Serial # 01001-01730)	5
13	87.0261	Spindle, Asm RH 25MM AL (Serial # 01731-)	5
40	87.0209-1	Housing, Spindle AL	1
41	55.0064	Bearing, Ball 25 mm x 62 mm	2
42	87.0209-2	Shaft, Spindle RH	1
43	85.B0082	Bushing, Spindle Shaft Spacer	1
44	87.0210	Spindle, Flange Shield	1
45	85.W0406	Key, Woodruff 1/4 X 3/4	1
46	29.GF0001	Grease Ftg, 1/4 SAE ST	1
47	29.GF0017	Fitting, Relief	1
50	87.0261-1	Housing, Spindle AL	1
51	55.0064	Bearing, Ball 25 MM x 62 MM	2
52	87.0261-2	Shaft, Spindle RH	1
53	85.B0082	Bushing, Spindle Shaft Spacer	1
54	87.0210	Spindle, Flange Shield	1
55	85.W0406	Key, Woodruff 1/4 X 3/4, #806 SAE Size	1
56	29.GF0001	Grease Ftg, 1/4 SAE ST	1
57	29.GF0017	Fitting, Relief	1

PARTS

ILLUSTRATED DRAWING Top Deck Covers



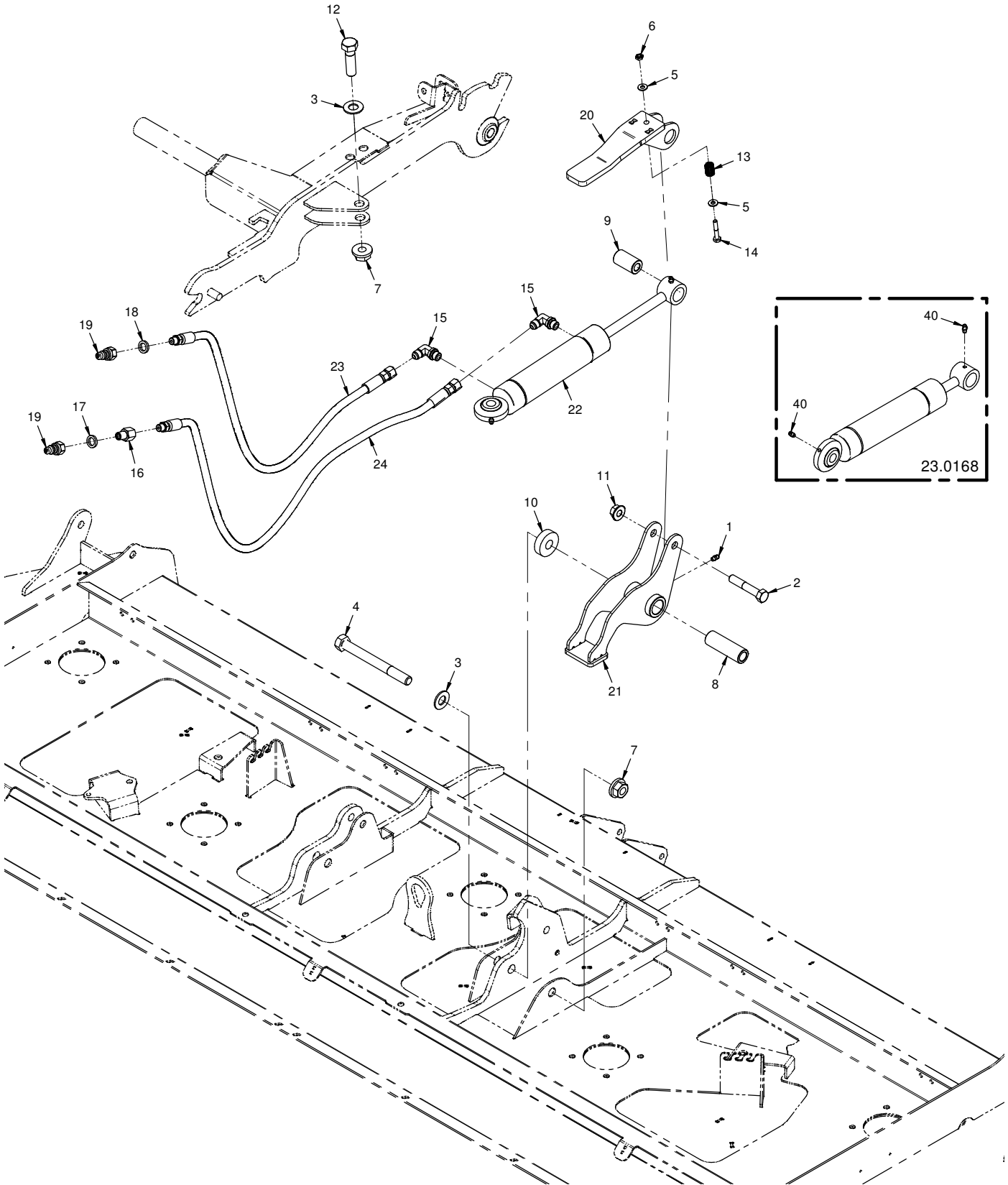
PARTS

Top Deck Covers

REF.	PART NO.	DESCRIPTION	QTY.
1	90.0612	.Bolt, 3/8-16 USS x 1-1/2	3
2	99.SF04	.Nut, SRF 1/4-20 USS	12
3	95.04	.Washer, Flat 1/4 SAE	2
4	99.SF0404-1	.Bolt, SMF 1/4-20 X 1/2	12
5	41.0039	.Spring, Comp. 9/16 OD X 5/8	3
6	92.06	.Nut, 3/8-16 USS	6
7	05.0170	.Bumper, Elastomer 125 Lbs PF	2
8	99.0406	.Bolt, 1/4-20 x 3/4 BSCS	2
9	99.E0101	.Nut, Locking Flange 1/4-20	2
10	00.0601	.Decal, Maintenance MK960	1
11	00.0383	.Decal, Ventrac	1
12	00.0192	.Decal, V-Decal Die Cut Blue	1
13	00.0100	.Decal, Made In Usa	1
14	06.0049-1.75IN	.Trim, 7/16" Bulb Seal Side 1/16T x 1-3/4"	1
15	06.0049-2.75IN	.Trim, 7/16" Bulb Seal Side 1/16T x 2-3/4"	1
16	06.0049-10.5IN	.Trim, 7/16" Bulb Seal Side 1/16T x 10-1/2"	1
17	MK-1300	.Bracket, Top Shield Hinge	6
18	MK-1302	.Latch, Top Shield	3
19	99.K0072	.Machine Screw, 10-24 X 1/2 ZP	6
20	06.0049-23.5IN	.Trim, 7/16" Bulb Seal Side 1/16T x 23-1/2"	2
21	06.0089-2IN	.Trim, Trim Loc 5/8 x 3/8 x 2"	2
22	MK-6015	.Cover, Top Deck Center	1
23	MK-6027	.Cover, Top Deck Right	1
24	MK-6028	.Cover, Top Deck Left	1
25	47.0127	.Latch, Rubber Draw T-Handle	3
26	99.K0174	.Machine Screw, #10-24 x 1/2 Hex Head ZP	3

PARTS

ILLUSTRATED DRAWING 70.8203 Hydraulic Flip Up Kit



PARTS

70.8203 Hydraulic Flip Up Kit

REF.	PART NO.	DESCRIPTION	QTY.
1	29.GF0001	.Grease Ftg, 1/4 SAE ST.	1
2	90.0822	.Bolt, 1/2-13 USS x 2-3/4.	1
3	95.10	.Washer, Flat 5/8 SAE	2
4	90.1048	.Bolt, 5/8-11 USS x 6	1
5	95.04	.Washer, Flat 1/4 SAE	2
6	99.A04	.Locknut, Stover 1/4-20 USS.	1
7	99.E0094	.Locknut, 5/8-11 Flanged Stover	2
8	64.1975	.Bushing, .641 x 1.00 x 3.094L	1
9	64.1973	.Bushing, .516ID X 1 OD X 1.75 L	1
10	MK-1173	.Washer, .656 x 1.75 x 1/2 Thk	1
11	99.E0103	.Nut, Locking Flange 1/2-13	1
12	90.1018	.Bolt, 5/8-11 USS x 2-1/4.	1
13	41.0108	.Spring, Comp. .531 OD X .780 LG	1
14	90.0412	.Bolt, 1/4-20 USS x 1-1/2.	1
15	25.6801-06-06	.Fitting, 90 ME 3/8 x 3/8.	2
16	29.0092	.Fitting, .025 Orifice 1/4 Pipe	1
17	05.0116	.Washer, .544 ID x .817 x .14 Red.	1
18	05.0117	.Washer, .544 ID x .817 x .14 Yel	1
19	23.0104	.Coupler, Quick Male 1/4	2
20	64.2014	.Bracket, Hyd Cylinder Lock	1
21	MK-6021	.Bracket, MK Flip Up Rocker	1
22	23.0168	.Cylinder, 1-3/4" X 5-1/4"	1
23	20.0166	.Hose, 1/4x35.00 SAE 100R17 AR	1
24	20.0169	.Hose, 1/4x38.00 SAE 100R17 AR	1
40	29.GF0001	.Grease Ftg, 1/4 SAE ST.	2